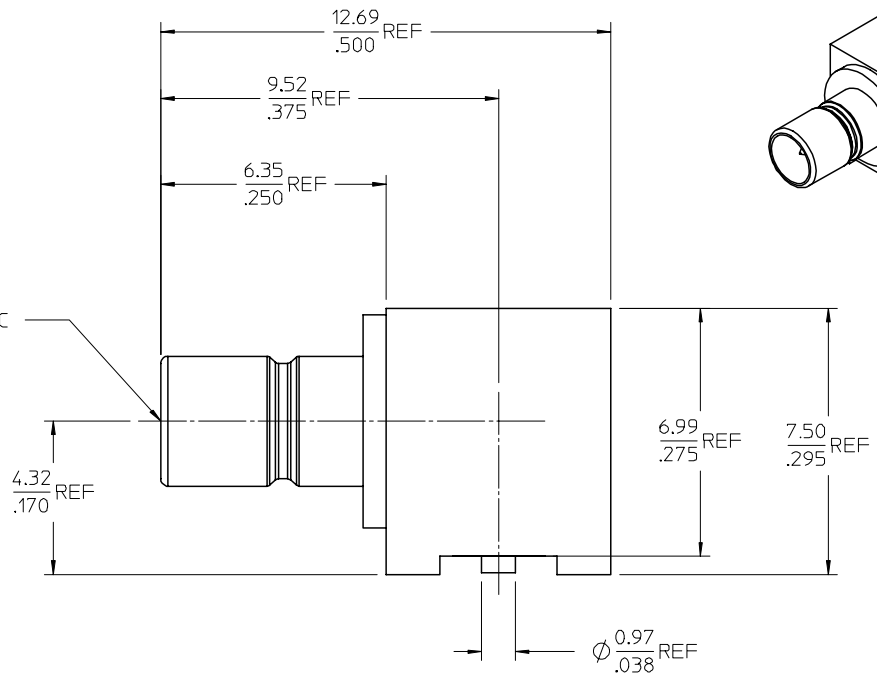
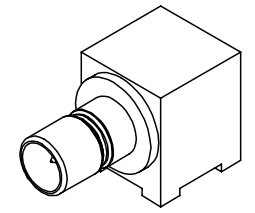


13 12 11 10 9 8 7 6 5 4 3 2 1

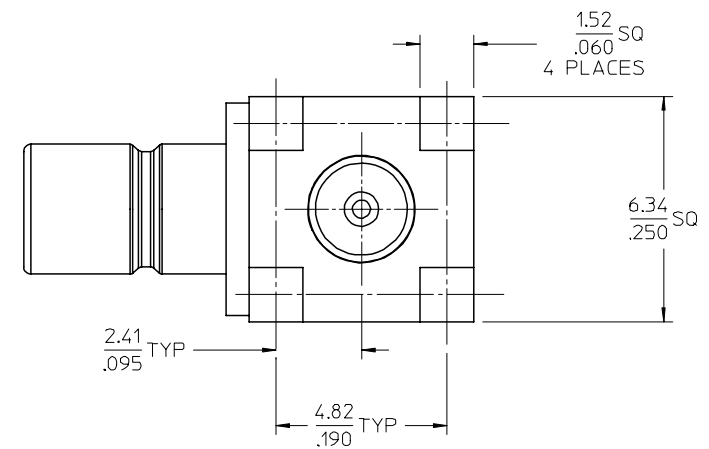
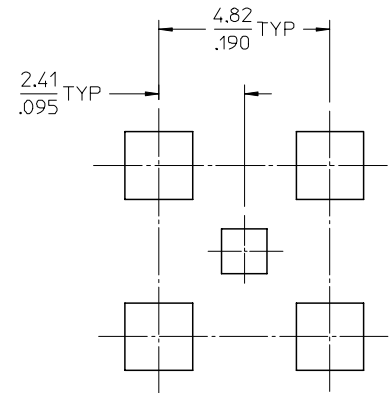
J
I
H
G
F
E
D
C
B
A

MATERIALS AND FINISHES
 BODY, CONTACT, CAP: BRASS
 PLATED GOLD
 INSULATOR: TEFLON

SMB 75 OHM
 AIR DIELECTRIC
 INTERFACE



RECOMMENDED PCB LAYOUT



PART #73404-0200

CHG: REDREW TO
 SHOW REVISED
 BODY.
 EC NO: URF2006-0141
 DRAWN: ARROBERTSON 2005/10/04
 CHKD: 2005/10/04
 APPR: JIM ENEER 2005/10/04
 A2

QUALITY SYMBOLS
 =0
 =0

GENERAL TOLERANCES (UNLESS SPECIFIED)	
mm	INCH
4 PLACES ± .005	± .0004
3 PLACES ± .005	± .0004
2 PLACES ± .005	± .0004
1 PLACE ± .005	± .0004
ANGULAR ± 2 °	

DRAFT WHERE APPLICABLE
 MUST REMAIN
 WITHIN DIMENSIONS

DIMENSION STYLE	
MM/IN	
DRAWN BY	DATE
SSS	2000/01/21
CHECKED BY	DATE
TEF	2000/01/21
APPROVED BY	DATE
GMH	2000/01/21
MATERIAL NO.	
734040200	

SCALE	DESIGN UNITS	THIRD ANGLE PROJECTION
	METRIC	
SMB, JACK, 75 OHM R/A SMT, AIR DIELECTRIC SMB-J/PCB, EWR-2919		
molex MOLEX INCORPORATED		
DOCUMENT NO.	SHEET NO.	
SD-73404-020	1 OF 1	

12 11 10 9 8 7 6 5 4 3 2 1