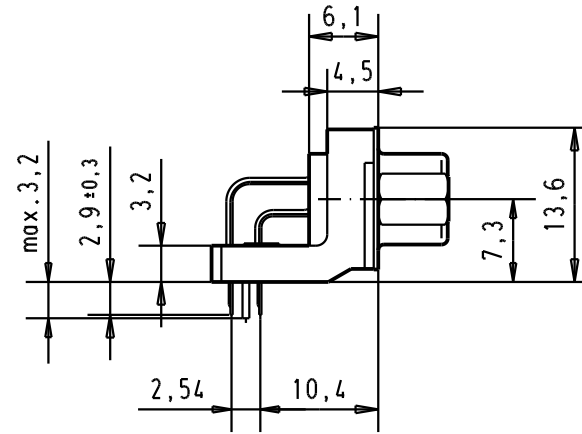
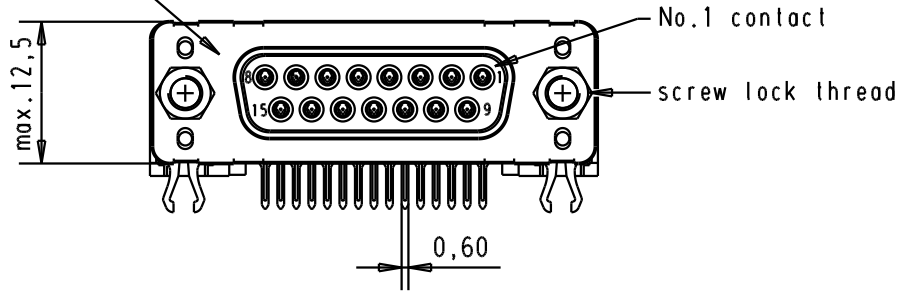
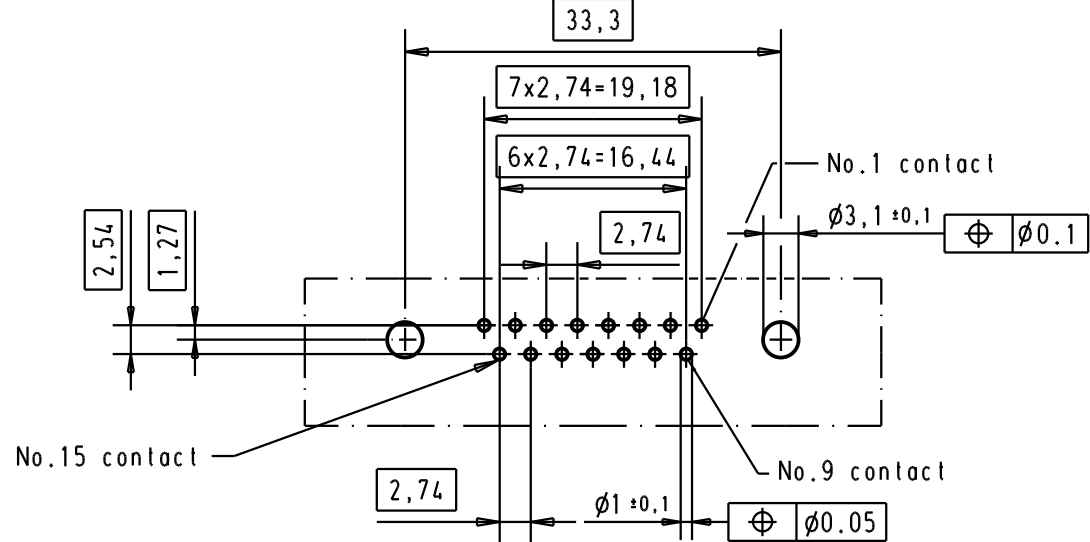
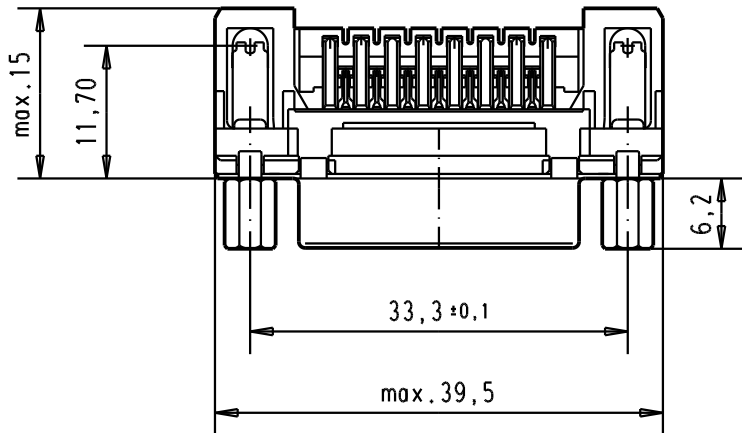


5 4 3 2 1

Mating face according to : MIL-C-24308 / DIN 41652 / CECC 75301-802





Printed board layout component side



Connector retention and insertion forces on the PCB = 25 / 80 newtons

A

09 66 256 3633	M3	1									 All Dim. in mm Orig. Size DIN A 4	D-Sub, high temperature, female, standard, 15 poles, with solder pins 2,9 mm, screw locks and grounding board lock.	Maßstab/ Scale 1.5:1
09 66 256 6633	M3	2						Det.	04/09/02	YT			
09 66 256 7633	M3	3						Insp.					
09 66 256 3613	4-40 UNC	1						Stand.					
09 66 256 6613	4-40 UNC	2	31892	05/05/04	JH								
09 66 256 7613	4-40 UNC	3	31084	04/09/02	YT								
Part number	Screw lock thread	Performance level	Mod.	Dat.	Name	HARTING EURL F-95972 Paris					TB 0966256x6x3 Sub.	Blatt/ Page 1 /	