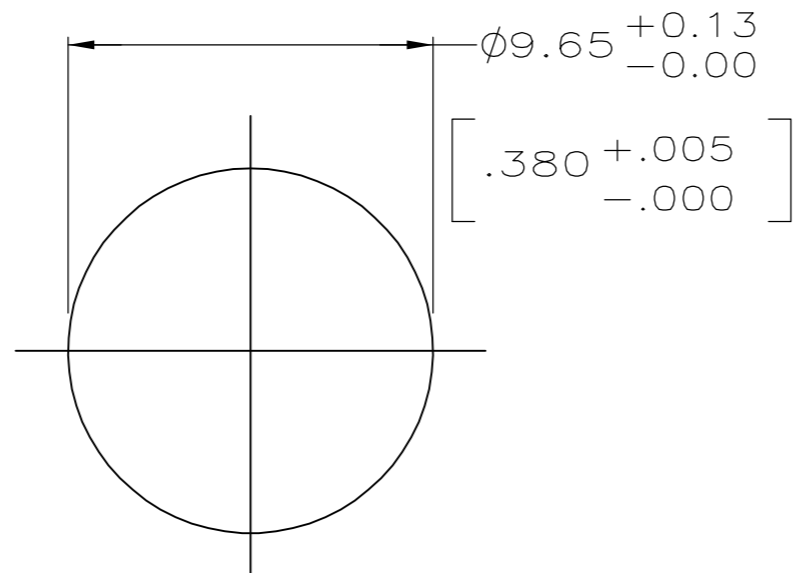


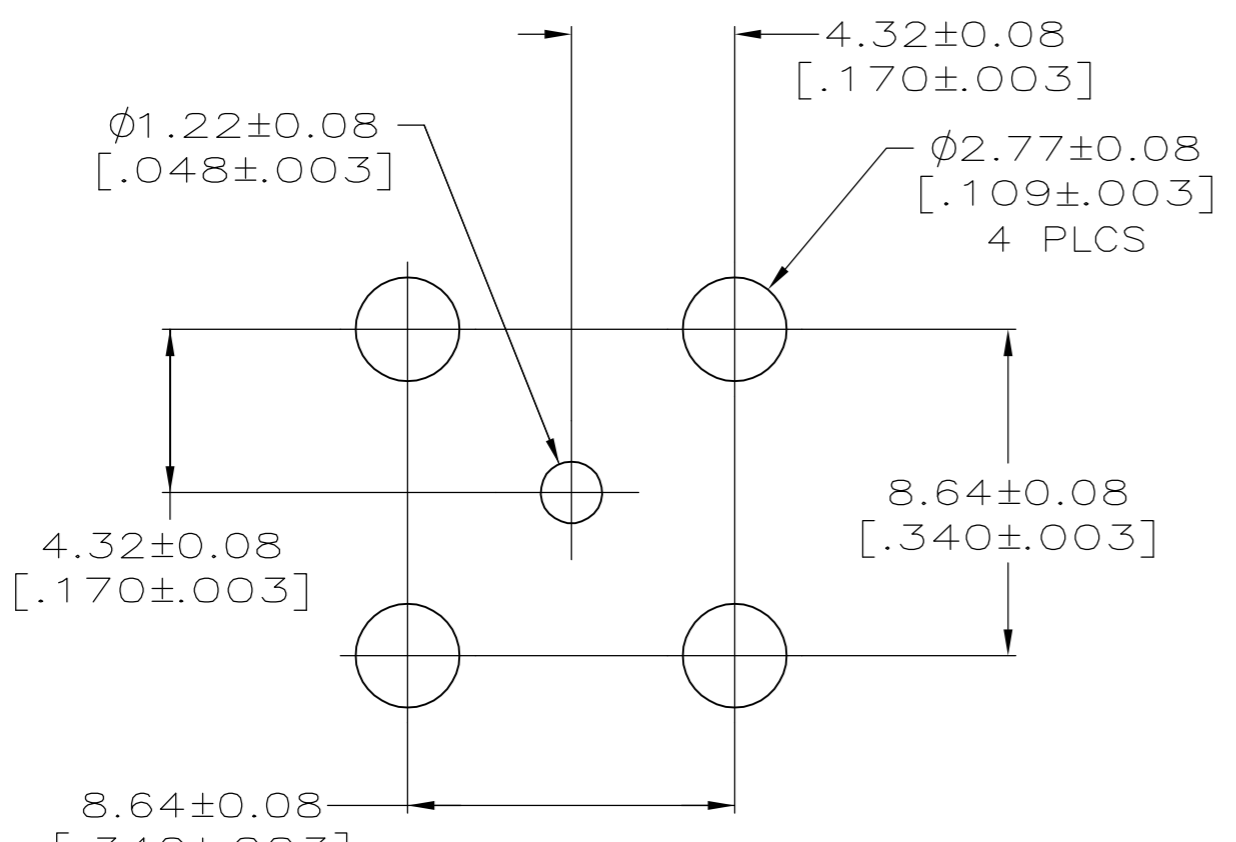
THIS DRAWING IS UNPUBLISHED. RELEASED FOR PUBLICATION  
 © COPYRIGHT BY TYCO ELECTRONICS CORPORATION. ALL RIGHTS RESERVED.

| Loc |  | DIST |  | REVISIONS |     |                         |           |     |      |
|-----|--|------|--|-----------|-----|-------------------------|-----------|-----|------|
| AJ  |  | 16   |  | P         | LTR | DESCRIPTION             | DATE      | DWN | APVD |
|     |  |      |  | 0         |     | REV PER EC-0S14-0496-04 | 01FEB2005 | LV  | KW   |

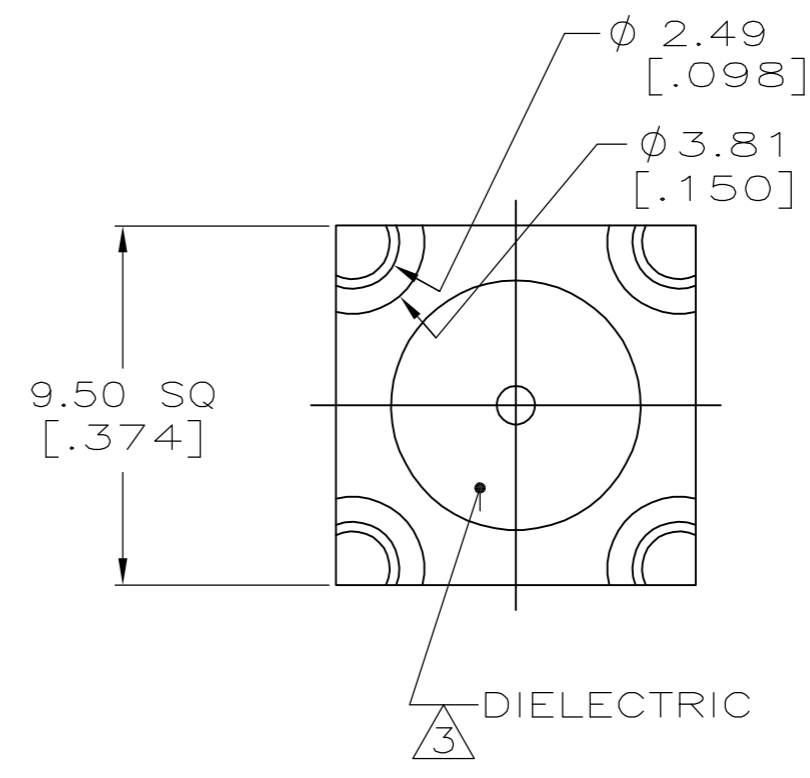
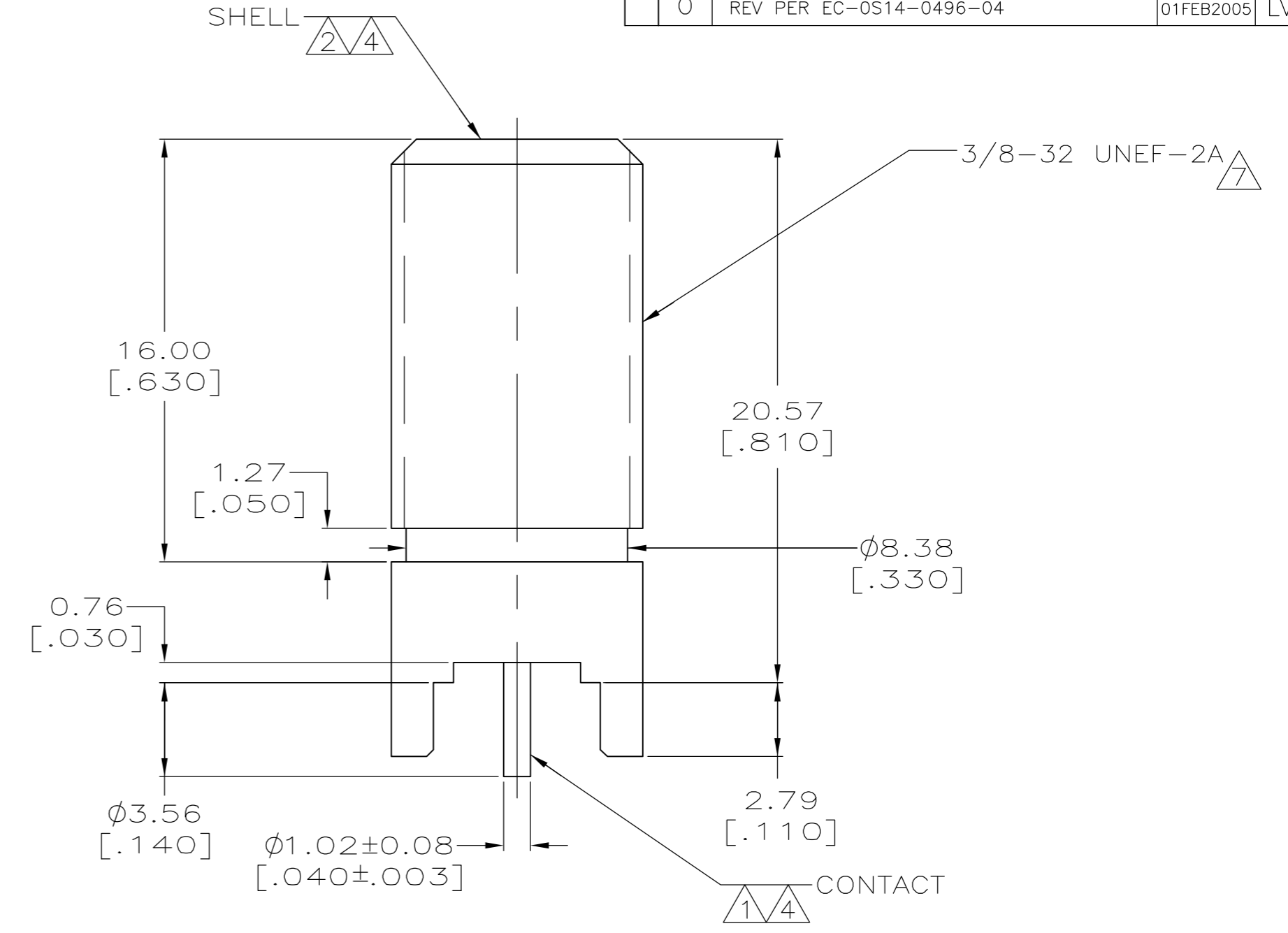
- 1 PHOSPHOR BRONZE PER QQ-B-750
- 2 ZINC PER QQ-Z-363.
- 3 PTFE PER MIL-P-19468.
- 4 TIN PLATE PER ASTM B 545.  
3.81µm [.000150] MINIMUM THICK.
- 5. CONNECTOR WILL ACCEPT A CENTER CONDUCTOR  
DIAMETER OF 0.56[.022]-1.19[.047].
- 6. RETURN LOSS: -20 dB NOMINAL, UP TO 1 GHz.
- 7 MAJOR DIAMETER MODIFIED TO .363 REF.



SUGGESTED PANEL CUTOUT



RECOMMENDED PCB CONFIGURATION



5887046-1  
 PART NUMBER

|   |  |              |            |   |                               |  |
|---|--|--------------|------------|---|-------------------------------|--|
| THIS DRAWING IS A CONTROLLED DOCUMENT.  |  | DWN          | 01FEB2005  | <br>Tyco Electronics Corporation<br>Harrisburg, PA 17105-3608 | 5887046-1                     |  |
| DIMENSIONS: mm [INCHES]   |  | CHK          | 01FEB2005  |   | PART NUMBER                   |  |
| TOLERANCES UNLESS OTHERWISE SPECIFIED:  |  | APVD         | 01FEB2005  |   | NAME                          |  |
| MATERIAL SEE NOTES 1-3  |  | FINISH       | SEE NOTE 4 |   | JACK, PCB, VERTICAL, F SERIES |  |
| 0 PLC ± -<br>1 PLC ± -<br>2 PLC ± -<br>3 PLC ± 0.20 [.008]<br>4 PLC ± -<br>ANGLES ± - |  | PRODUCT SPEC | -          | SIZE  | A2                            |  |
| CUSTOMER DRAWING  |  | WEIGHT       | -          | CAGE CODE   | 00779                         |  |
|   |  | SCALE        | 5:1        | DRAWING NO  | C=5887046                     |  |
|   |  | SHEET        | 1          | RESTRICTED TO   | -                             |  |
|   |  | REV          | 0          |   |                               |  |