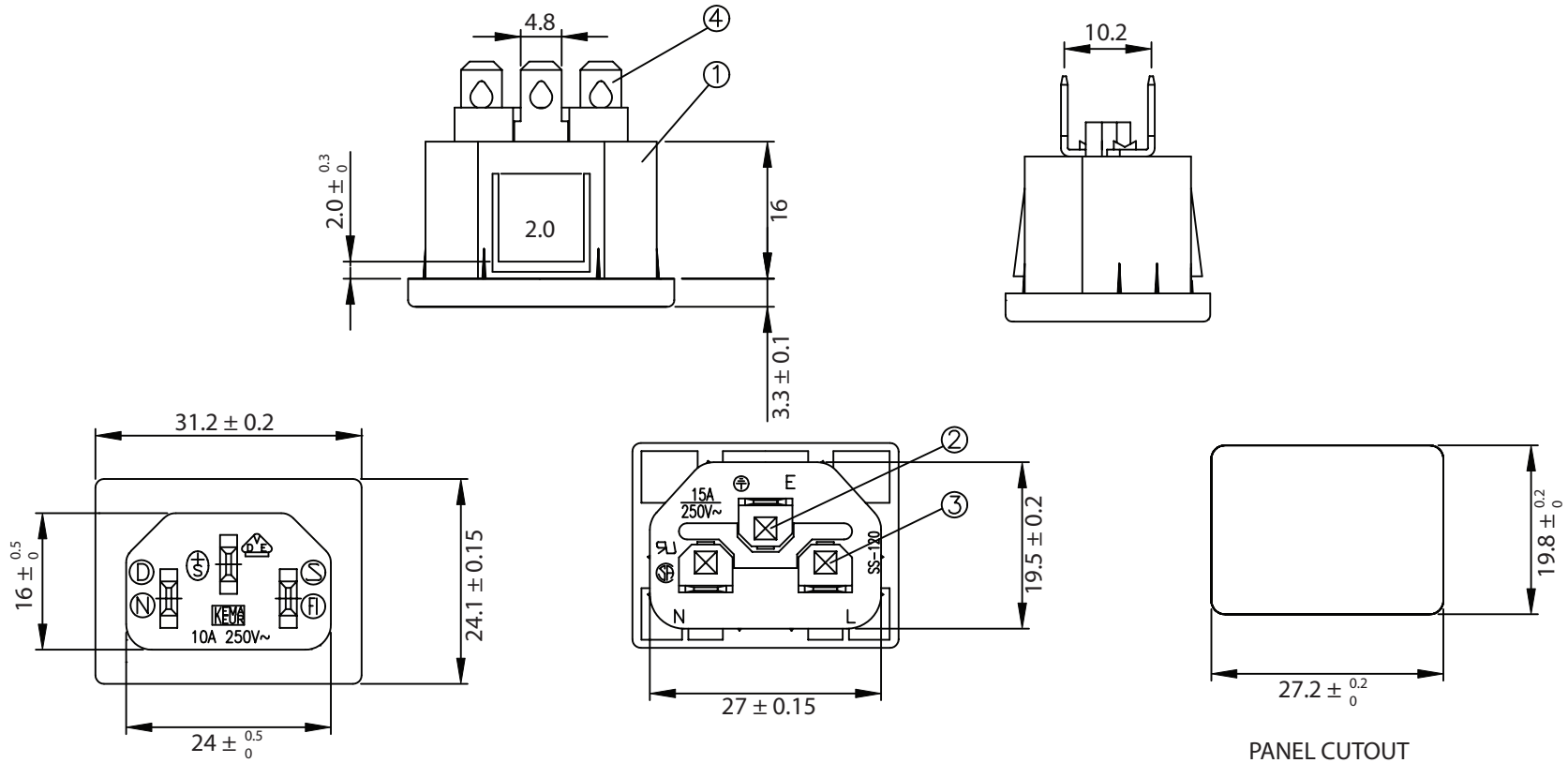


THESE DRAWINGS ARE THE PROPERTY OF QUALTEK ELECTRONICS AND NOT TO BE REPRODUCED FOR OR COMMUNICATED TO A THIRD PARTY WITHOUT THE EXPRESS WRITTEN PERMISSION OF AN OFFICER OF QUALTEK ELECTRONICS.

REVISION			
REV.	DESCRIPTION	DATE	APPROVED
B	RoHS Compliancy	06-01-06	DP



CONTROLLED

NOTES:

RATING:

UL,CSA: 15A 250V AC
 VDE: 10A 250V AC
 APPROVALS: UL,CSA,VDE
 PANEL THICKNESS: 2.0mm
 RoHS COMPLIANT

4	Soldering PIN Bronze Strip t=0.8mm Tin-Plated	3
3	Contact PIN Bronze Strip t=2mm Ni-Plated	2
2	Contact PIN Bronze Strip t=2mm Ni-Plated	1
1	Body Insulator PC 940A Black Color	1

Dim range (mm)	Tolerance +/- (mm)	Qualtek Electronics Corp. PPC DIVISION		
0-1	0.15	Part Number: 701W-20/41 RoHS Compliant		
1-6	0.20	Description: AC RECEPTACLE		
6-18	0.30		UNIT: mm	REV. B
18-50	0.50			
50-120	0.70	Drawn / Date	Checked / Date	Approved / Date
120-250	0.90	B.Zhang 06-18-02	06-18-02	JJH / 06-18-02
250-500	1.20			