

嵌合図
MATED CONNECTORS

NOTES

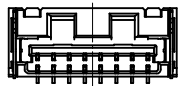
1. 嵌合相手: 502380-****
MATE WITH: 502380-****
2. 端子テール部 及び ネイルの平坦度: 0.1MAX.
TAIL AND NAIL COPLANARITY TO BE 0.1 MAX.
3. 極数/2=偶数に適用。
APPLY FOR CKT. SIZE / 2 = EVEN.
4. ネイルに錫めっきを使用しているため、
外観に摺動痕が付く場合が御座います。
THE WOUND OF FRICTION MIGHT ADHERE TO EXTERNALS
BECAUSE THE TIN PLATING IS USED FOR THE NAIL.
5. 本製品のプラスチック部に黒点等が確認される場合や
色合いが異なる場合がありますが、製品性能に影響はありません。
THERE IS NO INFLUENCE IN THE PRODUCT PERFORMANCE THOUGH
THE BLACK SPOT ETC. MIGHT BE CONFIRMED TO THE PLASTIC PART
OF THIS PRODUCT AND THE SHADE MIGHT BE DIFFERENT.
6. ELV AND RoHS COMPLIANT.

9.9	16.25	19.75	20.85	502382-1471	502382-1407	14
7.4	13.75	17.25	18.35	502382-1271	502382-1207	12
4.9	11.25	14.75	15.85	502382-1071	502382-1007	10
3.65	10	13.5	14.6	502382-0971	502382-0907	9
D	C	B	A	EMBOSSED TAPE ORDER No.	製品番号 MATERIAL NO.	極数 CKT. NO.

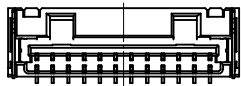
番号 NO.	部品 PART	材質 MATERIAL
①	ハウジング HOUSING	耐熱性樹脂 UL94V-0 色: ナチュラル HEATPROOF RESIN UL94V-0 COLOR:NATURAL
②	ターミナル TERMINAL	銅合金 COPPER ALLOY 金めっき :0.1 micro-meter MIN. GOLD ニッケルめっき(下地): 1.0 micro-meter MIN. NICKEL (UNDER PLATING)
③	ネイル NAIL	銅合金 COPPER ALLOY 錫めっき: 1.0 micro-meter MIN. TIN ニッケルめっき(下地): 1.0 micro-meter MIN. NICKEL (UNDER PLATING)

REVISED EC NO: J2009-0677 DRWN: AOYAGI 2008/10/20 CHKD: THARYAMA 2008/10/21 APPR: NUKITA 2008/10/21	DESCRIPTION	GENERAL TOLERANCES (UNLESS SPECIFIED)		DIMENSION STYLE MM ONLY		SCALE 5:1	DESIGN UNITS METRIC	THIRD ANGLE PROJECTION	
		10 UNDER	±0.2	DRAWN BY Y. AOYAGI	DATE 2007/06/28	TITLE 1.25 W/B CONN. SINGLE S/T REC. ASS'Y 8-15CKT.			
		10 OVER 30 UNDER	±0.25	CHECKED BY M. ISOGAYA	DATE 2007/06/28	MATERIAL NO. SD-502382-005			
		30 OVER	±0.3	APPROVED BY N. UKITA	DATE 2007/06/28	SHEET NO. 1 OF 2			
A	REV	ANGULAR ±3 ° DRAFT WHERE APPLICABLE MUST REMAIN WITHIN DIMENSIONS		SEE TABLE		THIS DRAWING CONTAINS INFORMATION THAT IS PROPRIETARY TO MOLEX INCORPORATED AND SHOULD NOT BE USED WITHOUT WRITTEN PERMISSION			

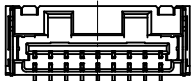
10 9 8 7 6 5 4 3 2 1



8 CKT.



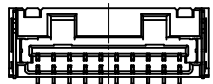
12 CKT.



9 CKT.



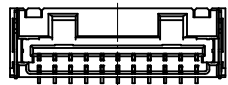
13 CKT.



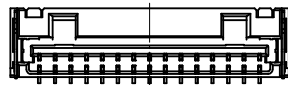
10 CKT.



14 CKT.

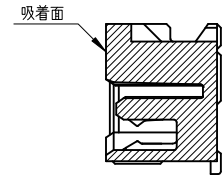
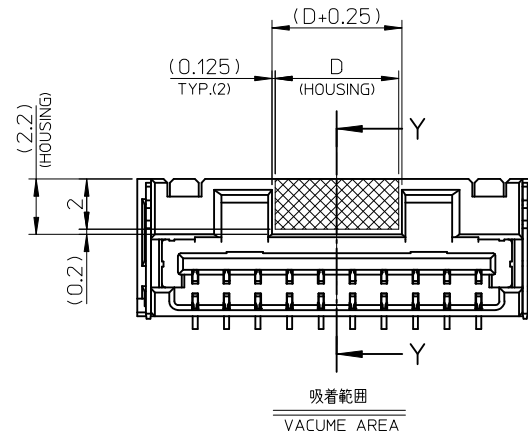


11 CKT.

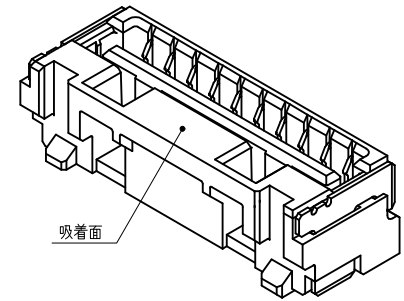
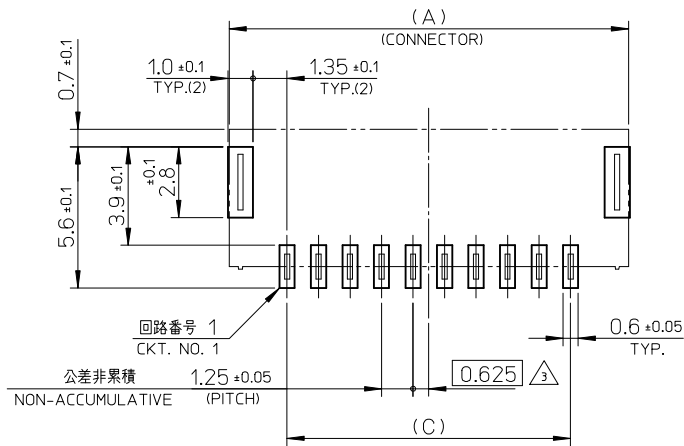


15 CKT.

極数の種類
KIND OF CKT. NO. (FRONT VIEW)

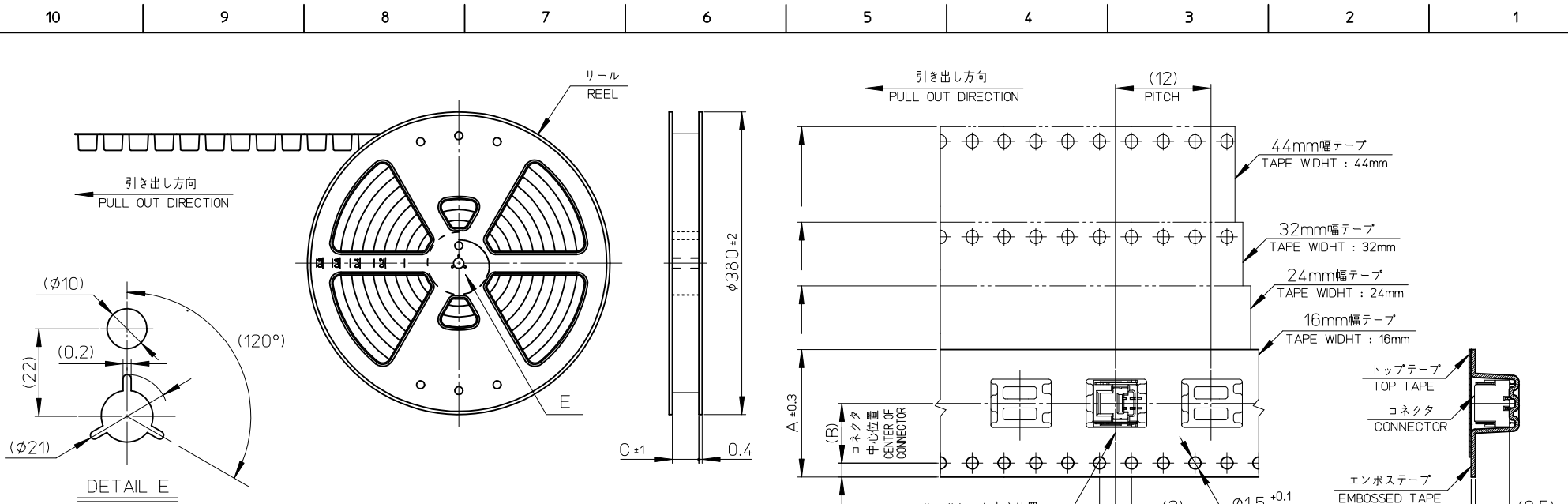


SECTION Y-Y



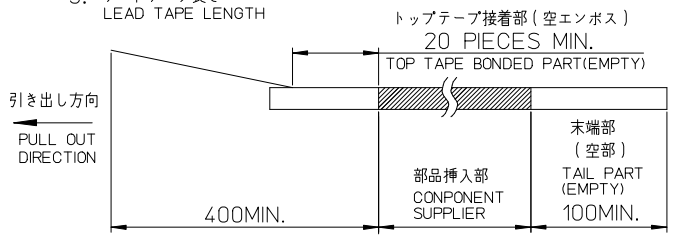
基板パターンレイアウト (参考)
RECOMMENDED P.C.B. PATTERN LAYOUT (REF.)

REVISED EC NO: J2009-0677 DRWN:YA0YAGI 2008/10/20 CHKD:THARUYAMA 2008/10/21 APPR:NUKITA 2008/10/21	GENERAL TOLERANCES (UNLESS SPECIFIED)		DIMENSION STYLE MM ONLY	SCALE 5:1	DESIGN UNITS METRIC	THIRD ANGLE PROJECTION
	10 UNDER	±0.2	DRAWN BY Y. A0YAGI	DATE 2007/06/28	TITLE 1.25 W/B CONN. SINGLE S/T REC. ASS'Y 8-15CKT.	
	10 OVER 30 UNDER	±0.25	CHECKED BY M. ISOGAYA	DATE 2007/06/28	MOLEX INCORPORATED	
	30 OVER	±0.3	APPROVED BY N. UKITA	DATE 2007/06/28		
ANGULAR	±3 °	MATERIAL NO. SEE SHEET 1		DOCUMENT NO. SD-502382-005	SHEET NO. 2 OF 2	
DRAFT WHERE APPLICABLE MUST REMAIN WITHIN DIMENSIONS	THIS DRAWING CONTAINS INFORMATION THAT IS PROPRIETARY TO MOLEX INCORPORATED AND SHOULD NOT BE USED WITHOUT WRITTEN PERMISSION					



NOTES

- 製品詳細寸法は製品単体図面を参照して下さい。
FOR DETAIL OF CONNECTOR DIMENSIONS, PLEASE SEE THE DRAWING OF CONNECTOR ITSELF (NOT PACKAGED).
- 梱包数量 : 1400個
NUMBER OF CONNECTORS : 1400 PIECES/REEL.
- リードテープ長さ
LEAD TAPE LENGTH



- 材料
MATERIAL
キャリアテープ : ポリスチレン
CARRIER TAPE : POLYSTYRENE
トップテープ : ポリエステル, ポリエチレン, ポリエチレンテレフタレート
TOP TAPE : POLYESTER, POLYETHYLENE, POLYETHYLENE TEREPHTHALATE
リール : ポリスチレン <リサイクル材を含む>
REEL : POLYSTYRENE <RECYCLE MATERIAL CONTAINED>
- ELV AND RoHS COMPLIANT.

45.5	20.2	44	502382-1407	502382-1471	14
33.5	14.2	32	-1207	-1271	12
33.5	14.2	32	-1007	-1071	10
25.5	11.5	24	-0907	-0971	9
25.5	11.5	24	-0607	-0671	6
25.5	11.5	24	-0507	-0571	5
25.5	11.5	24	-0407	-0471	4
17.5	7.5	16	502382-0307	502382-0371	3
C	B	エンボステープ幅 A WIDTH OF TAPE	コネクタ CONNECTOR	製品番号 MATERIAL NO.	モデル番号 MODEL NO. (KT. NO.)

REVISED EC NO: J2009-0677 DRWN: YA0YAGI 2008/10/20 CHKD: THARUYAMA 2008/10/21 APPR: NUKITA 2008/10/21	DESCRIPTION	GENERAL TOLERANCES (UNLESS SPECIFIED)		DIMENSION STYLE		SCALE		DESIGN UNITS		TITLE 1.25 W/B CONN. SINGLE S/T REC. EMBTP PKG
		10 UNDER ±0.2		MM ONLY		---		METRIC		
		10 OVER 30 UNDER ±0.25		DRAWN BY DATE		TITLE		THIRD ANGLE PROJECTION		
		30 OVER ±0.3		Y. A0YAGI 2007/06/28		MOLEX INCORPORATED		DOCUMENT NO.		
A	REV	ANGULAR ±3 °		APPROVED BY DATE		SEE TABLE		SD-502382-006		SHEET NO. 1 OF 1
		DRAFT WHERE APPLICABLE MUST REMAIN WITHIN DIMENSIONS		N. UKITA 2007/06/28		THIS DRAWING CONTAINS INFORMATION THAT IS PROPRIETARY TO MOLEX INCORPORATED AND SHOULD NOT BE USED WITHOUT WRITTEN PERMISSION				