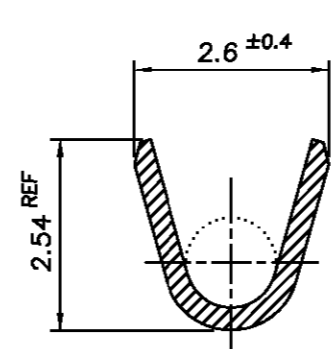
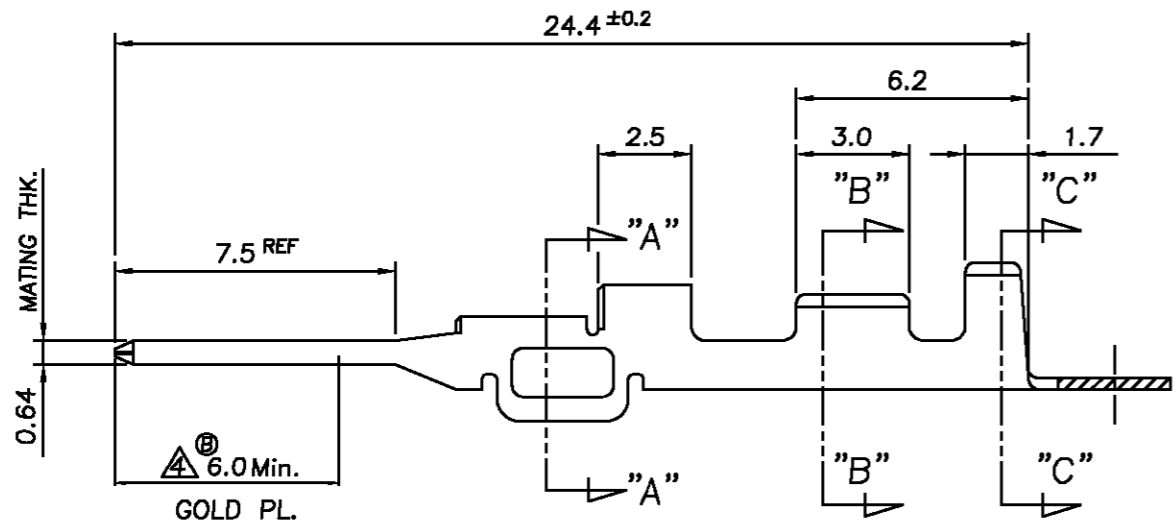
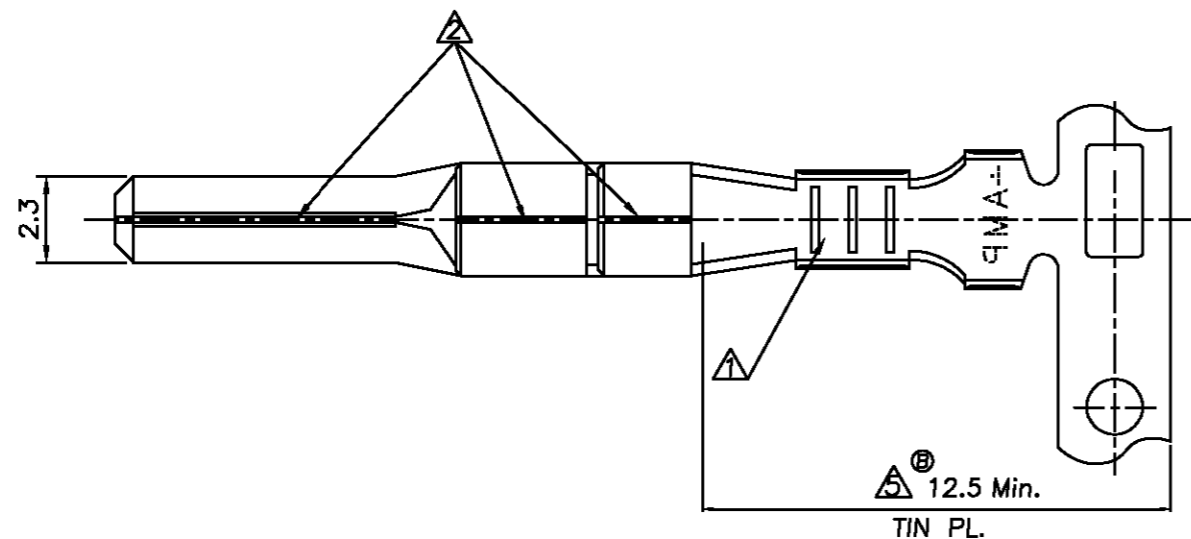
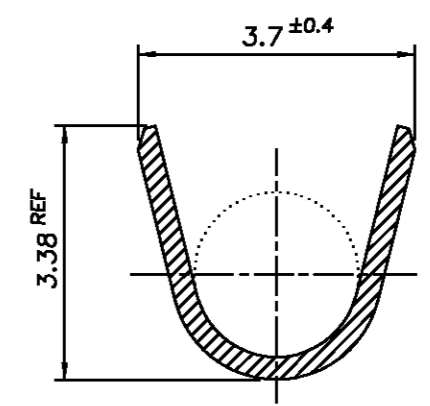


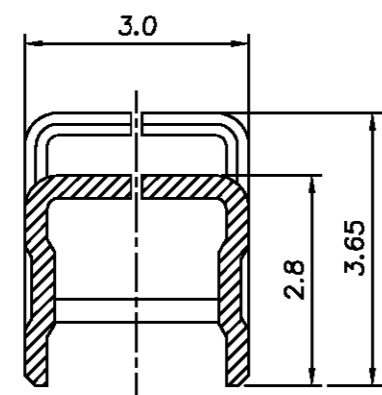
| LOC | DIST | REVISIONS | | | | | |
|-----|------|-----------|-----|---------------------------------|-----------|-----|------|
| | | P | LTR | DESCRIPTION | DATE | DWN | APVD |
| DS | | | O | RELEASED (PER RD97-246) | 21/NOV/97 | YM | CS |
| | | | A | REVISED (PER RD98-064) | 16/MAR/98 | YM | CS |
| | | | B | REDRAWN W/CHANGE (FC00-0065-04) | 08/APR/04 | JG | CS |



SECTION "B-B"
 SCALE=10/1



SECTION "C-C"
 SCALE=10/1



SECTION "A-A"
 SCALE=10/1

- * NOTES
 ▲ THREE SERRATIONS CENTERED IN WIRE BARREL.
 ▲ 0.15 MAX GAP PERMISSIBLE.
 3 WIRE SIZE EQUIV CAVUS 0.3 ~ AVS 0.5 sqmm.

| | | |
|------------------------------|----------------------|----------------|
| ▲▲ SELECTIVE GOLD PRE-TINNED | BRASS STRIP 0.30THK. | 1- 368088 -1 © |
| FINISH | MATERIAL | PART NUMBER |

| | | | | | |
|---|--|--|--|---|--|
| DIMENSIONS: mm TOLERANCES UNLESS OTHERWISE SPECIFIED: 0 <XX<10 ± 0.2 10 <XX<30 ± 0.25 ANGLES ± 3° | | DWN: JG MOON CHK: BM JANG APVD: CS LEE PRODUCT SPEC 108-61021 APPLICATION SPEC 114-61004 WEIGHT NET; 0.33gf | | tyco Electronics AMP KOREA, kyungsan, korea .090 II MLC TAB CONTACT | |
| 3rd ANGLE PROJECTION | | MATERIAL FINISH | | SIZE CAGE CODE DRAWING NO RESTRICTED TO A3 00779 C= 3 6 8 0 8 8 | |
| | | SCALE 5/1 SHEET 1 OF 1 REV B | | | |