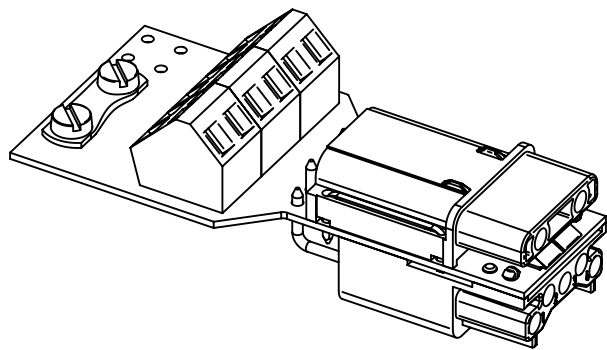
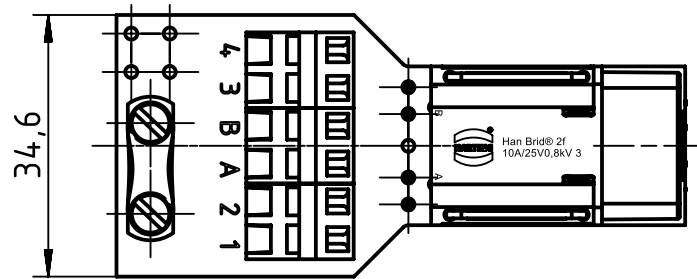
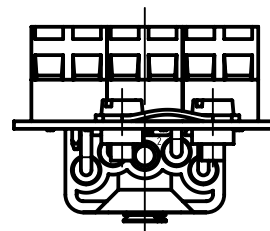
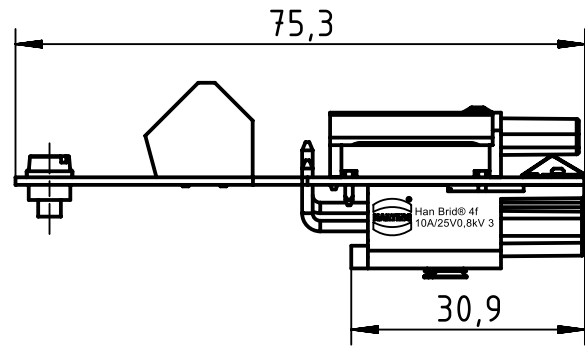
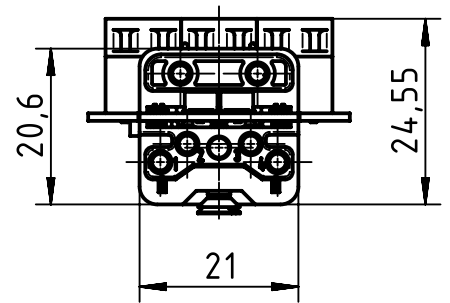


1 2 3 4 5 6

A  
B  
C  
D



	All rights reserved Department EL PD - DE HARTING Electric GmbH & Co. KG D-32339 Espelkamp	All Dimensions in mm Original Size DIN A4		Scale 1:1	Free size tol.	Ref. Sub. TB 09 12 006 2795 v. 23.03.09			
		Created by SPRENB	Inspected by SCHNIEDER	Standardisation TIEMANNA	Date 2013-06-27	State Final Release		Doc-Key / ECM-Nr. 100132504/UGD/005/A 500000063341	
Title Han Brid-Wanddurchfuehrung Cu-Bus F-c _G_ LP-Klemme						Type TB	Number 09 12 006 2795	Rev. A	Page 1/1