



FLEXSTRIP* JUMPERS

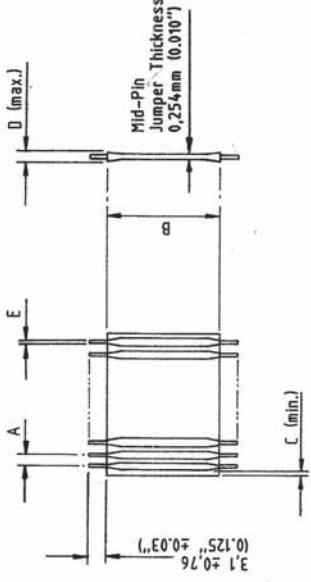
† CONDUCTOR PITCH "A"	MARGIN C (min.)		THICKNESS D (MAX.)		PIN DIAMETER E ±0.025 (±0.001")		NUMBER OF CONDUCTORS		
	mm	(inch.)	mm	(inch.)	mm	(inch.)	min.	max.	
1	1.27	.050"	0.25	.010"	0.64	.025"	0.320	.0126"	2 - 30
6	1.90	.075"	0.38	.015"	0.84	.033"	0.404	.0159"	2 - 30
2	2.54	.100"	0.51	.020"	0.84	.033"	0.511	.0201"	2 - 30
3	3.18	.125"	1.52	.060"	0.84	.033"	0.511	.0201"	2 - 25
4	3.81	.150"	1.52	.060"	0.84	.033"	0.511	.0201"	2 - 20
5	5.08	.200"	1.52	.060"	0.84	.033"	0.511	.0201"	2 - 15

Dimensions are shown in mm (inches.)
 † Tolerance on Pitch ±0.25 (0.01") non-cumulative.

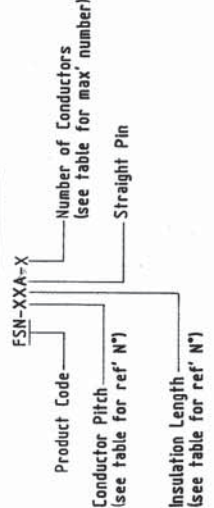
INSULATION LENGTH B ±1.57 (±0.662")	
mm	Cat. Ref.
25.4	1
38.1	1 1/2
50.8	2
63.5	2 1/2
76.2	3
88.9	3 1/2
101.6	4
114.3	4 1/2
127	5
139.7	5 1/2
152.4	6

PROPERTIES :-
 Insulation Material - Nomex®
 Temperature Rating - 105°C
 Current Rating - 2 amps
 U.L. Style Number - 5188

NOTES:-
 * Trademark of Thomas & Betts Corporation
 * Registered trademark of E.I. Du Pont de Nemours



CATALOGUE NUMBERING SYSTEM



EXAMPLE:-

FSN -22A - 15
 FSN - Flexstrip Jumper With Nomex Insulation
 2 - Conductor Pitch 2.54 (0.100)
 2 - Insulation Length 50.8 (2)
 A - Straight Pin
 15 - Number of Conductors 15

T&B THOMAS & BETTS INTERNATIONAL
 EUROPEAN ENGINEERING DIVISION

DRG. N° 35-10018



THIRD ANGLE PROJECTION

IMPERIAL DIMENSIONS
 SHOWN IN PARENTHESES
 0.000 EQUALS ± 0.002
 0.00 EQUALS ± 0.01
 .00 EQUALS ± 0.015

MATERIAL	PART NAME	PRODUCT CODE
INSULATION		
FINISH		
SCALE		
DR.		
CHK.		
APP.		
DATE		
BY		
DESCRIPTION		
REV.		

FSN-12A-17
 tyco 5-1437131-6
 Electronics Rev 0 SAT 2 of 1