

Features

- Low loss
- Flat Low Ripple
- High Rejection

Description

Surface mount, silver (Ag) coated ceramic duplexer. Developed for use in W-CDMA infrastructure applications.

Weight: 3.0 grams typical

Material: Filter is composed of a ceramic block plated with Ag and a shield made of nickel silver plated steel.

Filter complies with RoHS standards.



Electrical Specifications

| Parameter | Frequency (MHz) | Typical @ 25°C | Spec. @ 25°C | Spec. Over -40°C to +85°C |
|---------------------------------|-----------------|----------------|--------------|---------------------------|
| High Band Response (S21) | | | | |
| Passband Insertion Loss | 2110-2170 | 1.09 dB | 1.3 dB max | 1.50 dB max |
| Passband Return Loss @ S22 | 2110-2170 | 18.0dB | 12.5 dB min | 12.0 dB min |
| Passband Return Loss @ ANT | 2110-2170 | 19.0 dB | 12.5 dB min | 12.0 dB min |
| Passband Ripple | 2110-2170 | 0.05 | 0.60 dB max | 0.80 dB max |
| Attenuation: | 1920-1980 | 61.3 dB | 55.5 min | 55.0 dB min |
| Low Band Response (S13) | | | | |
| Passband Insertion Loss | 1920-1980 | 0.91 dB | 1.3 dB max | 1.5 dB max |
| Passband Return Loss @ S33 | 1920-1980 | 17.0dB | 12.5 dB min | 12.0 dB min |
| Passband Return Loss @ ANT | 1920-1980 | 18.0 dB | 12.5 dB min | 12.0 dB min |
| Passband Ripple | 1920-1980 | 0.05 dB | 0.60 dB max | 0.80 dB max |
| Attenuation: | 2110-2170 | 56.8 dB | 55.5 dB min | 55 dB min |
| Isolation | | | | |
| Rejection @ High band | 2110-2170 | 58 dB | 55.5 dB min | 55 dB min |
| Rejection @ Low band | 1920-1980 | 65 dB | 55.5 dB min | 55 dB min |
| Power into any port | 5 Watt max | | | |

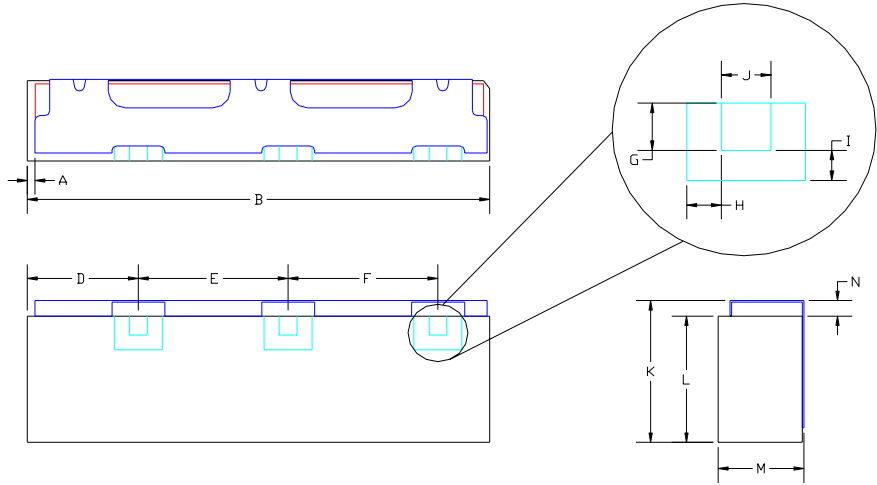
Note: Supplier shall test each filter to the critical electrical specifications of the above table. Any subsequent audits may deviate from in value due to measurement repeatability among different test systems. Such deviations shall not exceed the following limits:

| Specification Allowance | |
|-------------------------|--------|
| Insertion Loss | 0.1 dB |
| Return Loss | 1.0 dB |
| Stopbands | 1.0 dB |

*This product is covered by one or more of the following U.S. and foreign patents including: US 4,692,726;US 4,742,562; US 4,800,348;US 4,829,274;US 5,146,193;EP 0573597;DE 0573597;FR 0573597;JP 508149/92;KR 142171;US 5,162,760;US 5,218,329;US 5,250,916;US 5,327,109;US 5,488,335;CA 2114029;FR 9306297;GB 2273393;JP 3205337;KR 115113;CN 93106228.4;US 5,512,866;EP 0706719;DE 0706719;FR 0706719;GB 0706719;CN 95190359.4;US 5,602,518;US 5,721,520;US 5,745,018;EP 0910875;DE 0910875;DK 0910875;FR 0910875;GB 0910875;IE 0910875;JP 505182/98;KR 10-323013;US 5,994,978;US 6,462,629;CN 00810420.4;US 6,559,735;US 6,650,202;US 6,834,429. Other US and foreign patents pending.

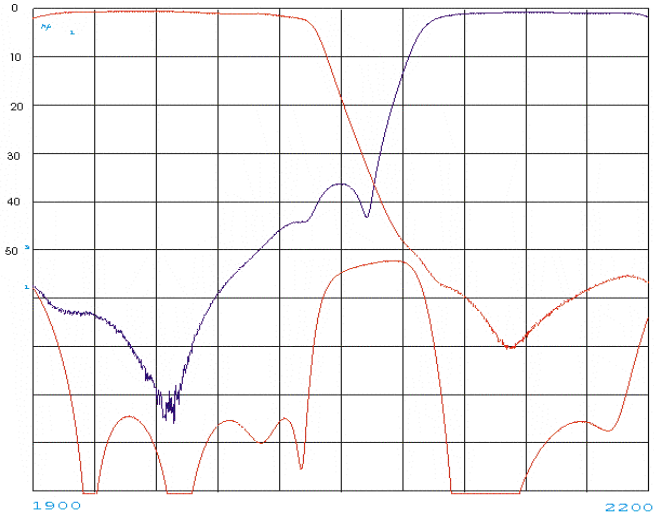
CTS Corporation 2006 reserves all copyrights in the layout, design and configuration of the patterns on this product.

Mechanical Drawing

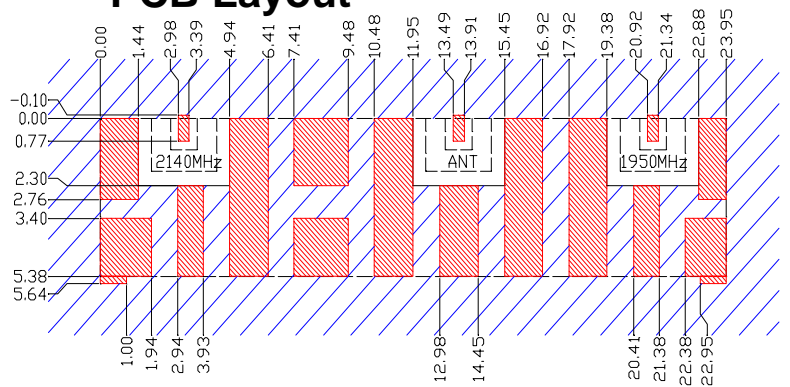


| Dim | Nominal (mm) | Tolerance (mm) +/- or max |
|-----|--------------|------------------------------|
| A | 0.25 | 0.25 |
| B | 24.04 | max |
| C | | |
| D | 2.72 | 0.25 |
| E | 7.44 | 0.13 |
| F | 10.52 | 0.13 |
| G | 1.02 | 0.13 |
| H | 0.79 | 0.13 |
| I | 0.79 | 0.13 |
| J | 0.89 | 0.13 |
| K | 6.75 | max |
| L | 5.64 | max |
| M | 4.60 | max |
| N | 0.84 | 0.13 |

Electrical response

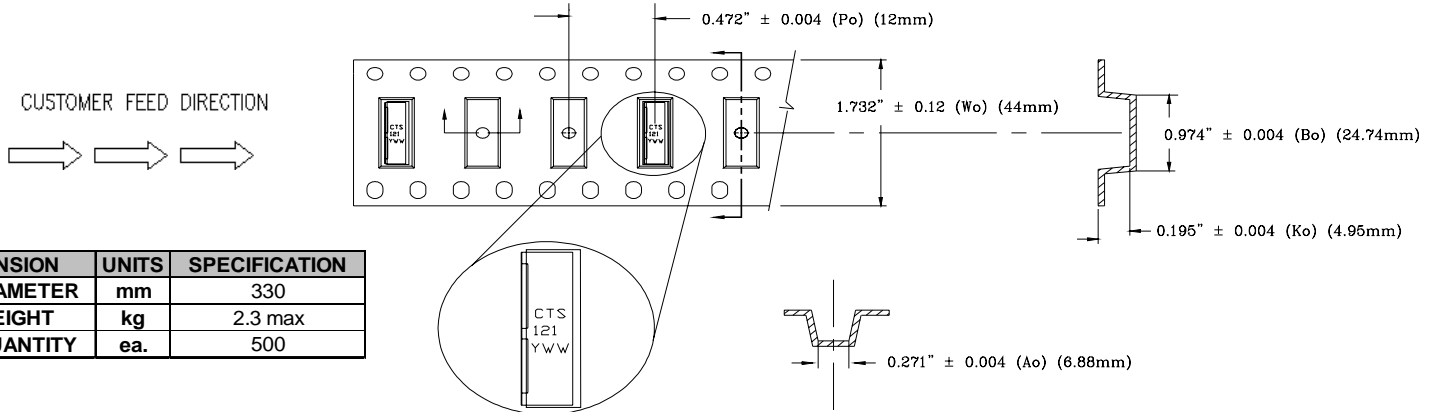


PCB Layout



- Filter Outline
- Exposed Conductor
- Solder Resist Over Dielectric
- Solder Resist Over Conductor Shield

Packaging and Marking



| DIMENSION | UNITS | SPECIFICATION |
|---------------|-------|---------------|
| REEL DIAMETER | mm | 330 |
| REEL WEIGHT | kg | 2.3 max |
| REEL QUANTITY | ea. | 500 |