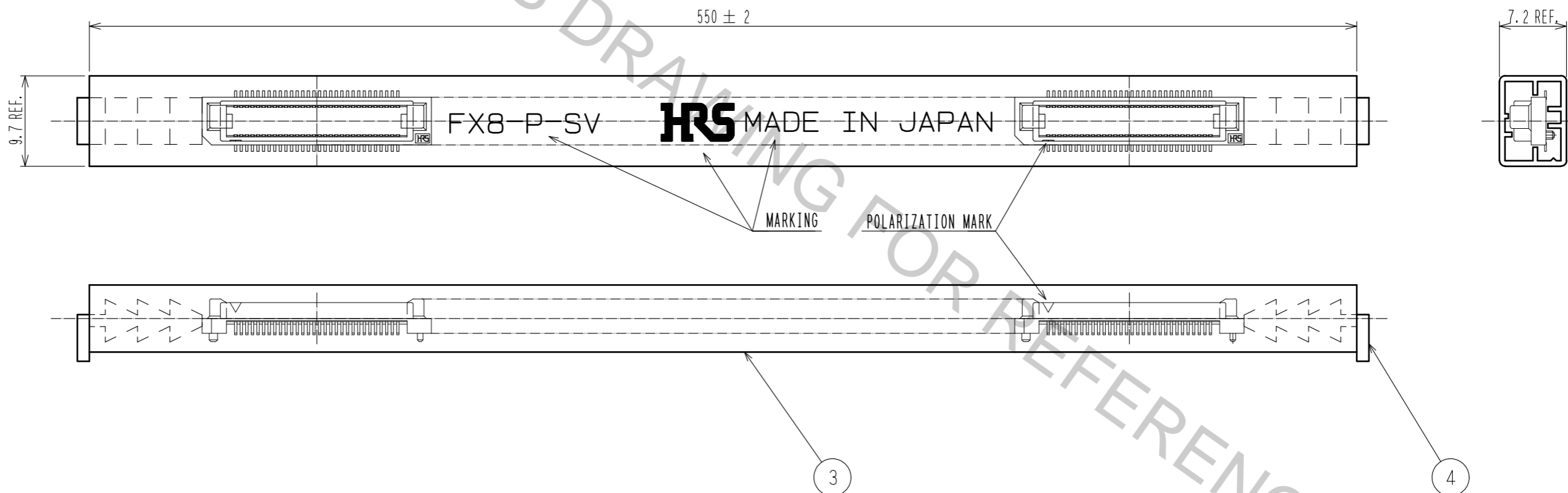


DRAWING FOR PACKING(FREE)



NOTE 4. 1TUBE : 21CONNECTORS.

HRS	DRAWING NO.	EDC-150569-91-00
	PART NO.	FX8-60P-SV1(91)
	CODE NO.	CL578-0041-0-91

2/2

Apr.1.2017 Copyright 2017 HIROSE ELECTRIC CO., LTD. All Rights Reserved.