

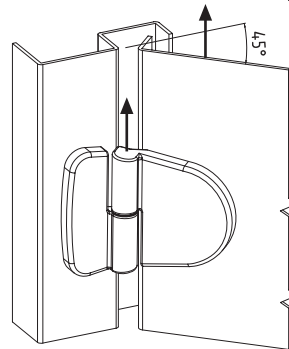
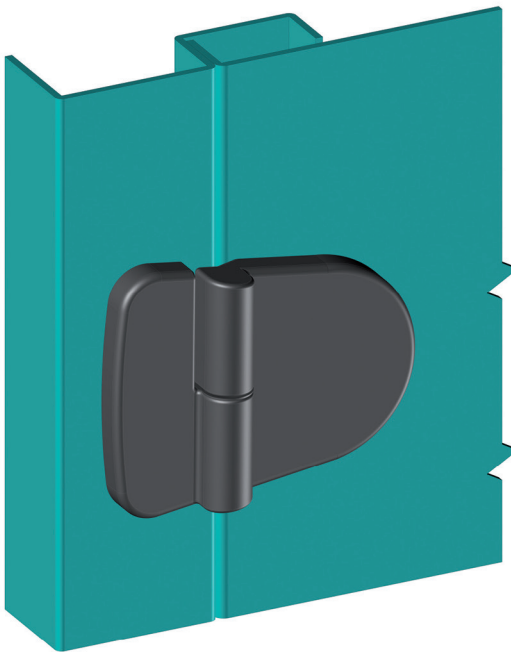
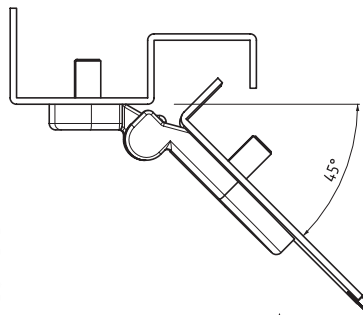
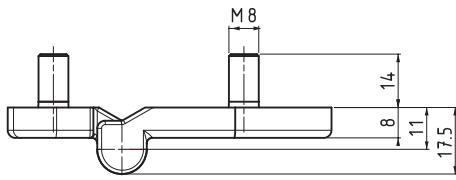
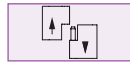
1499

LIFT-OFF HINGE



RH

LH



- Concealed mounting screws prevent external access to hinge
- Design for plain/flush-mounted doors
- Suitable for left- and right-hand applications

APPLICATIONS

Generators, machinery covers, electric panels

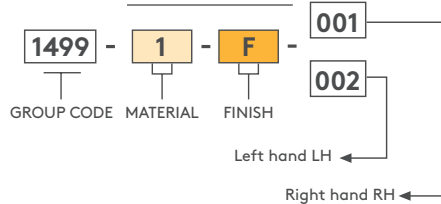
MATERIAL

BODY: Zamak DIN-EN

1774-ZnAl4Cu1

PIN: Stainless Steel

PRODUCT CODE



MATERIAL	M	FINISH	F
Zamak	1	Chrome	1
		Black coated	2