

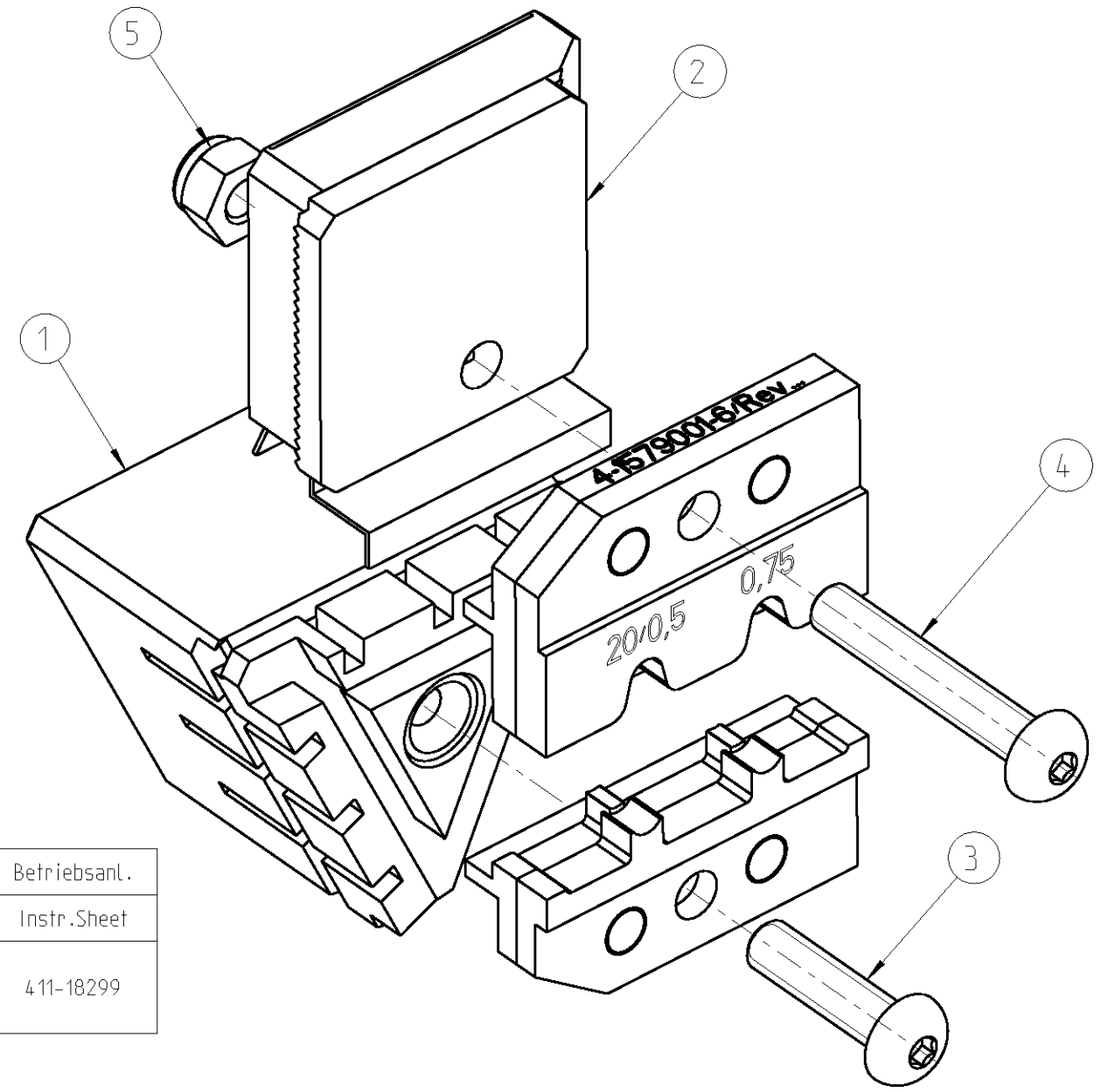
THIS DRAWING IS UNPUBLISHED. RELEASED FOR PUBLICATION 2009
 © COPYRIGHT 2009 BY TYCO ELECTRONICS CORPORATION. ALL RIGHTS RESERVED.

| LOC | DIST | REVISIONS | | | | |
|-----|------|-------------|------------------|-----------|------|------|
| P | LTR | DESCRIPTION | DATE | DWN | APVD | |
| A1 | - | C | INITIAL REVISION | 18FEB2009 | witt | witt |

ERGOCRIMP DIE SET - MCP 1.2 LL (SWS) 0,5 (AWG20) - 0,75 mm²

Matrize in Kombination mit Ergocrimp Basishandzange PN 539635-1 verwenden
 Use die set in combination with Ergocrimp basis hand tool PN 539635-1

Matrize im Karton mit Bedienungsanleitung 411-18299 verpackt
 Die set packed in a cardboard with instruction sheet 411-18299



| | | | | | |
|-------------|----------|-------------|-------------------|----------------------|------|
| 4-1579001-6 | 1 | 8-0744010-0 | Instruction Sheet | Bedienungsanleitung | 6 |
| | 1 | 0-0519024-2 | Nut M4 DIN 985 | Mutter M4 DIN 985 | 5 |
| | 1 | 1-0519151-3 | Screw M4x25 | Schraube M4x25 | 4 |
| | 1 | 1-0519151-1 | Screw M4x16 | Schraube M4x16 | 3 |
| | 1 | 5-1579015-3 | Locator Assembly | Drahtanschlag | 2 |
| | 1 | 2-1579015-3 | Contact Locator | Kontaktpositionierer | 1 |
| | QTY Stck | PN | Description | Benennung | Pos. |

| Kontakt | DGB (mm ²) | Drahtcrimp / Wire Crimp | | Isolationscrimp/Insulationcrimp | | Isol.Ø | Betriebsanl. |
|-------------------|------------------------|-------------------------|-----------------|---------------------------------|-----------------|-----------|--------------|
| Contact | AWG | Hoehe/Height mm | Breite/Width mm | Hoehe/Height mm | Breite/Width mm | Ins.Range | Instr.Sheet |
| 1452669 / 1718761 | AWG20/0,5 | 0,93 ±0,03 | 1,40 | 3,25 max. | 3,25 max. | 1,4-1,9 | 411-18299 |
| | 0,75 | 1,05 ±0,03 | | | | | |

| | | | | | |
|---------------------------------------------------------------------------------------------------------------------------------------------------------------------------------------------------------|--|-------------------------------------------------------------------------------------------------------------|--|-----------------------------------------------------------------------------|--|
| <small>THIS DRAWING IS A CONTROLLED DOCUMENT FOR TYCO ELECTRONICS CORPORATION IT IS SUBJECT TO CHANGE AND THE CONTROLLING ENGINEERING ORGANIZATION SHOULD BE CONTACTED FOR THE LATEST REVISION.</small> | | DWN Ch.Witt 18FEB2009 CHK Ch.Witt 20MAY2009 APVD Ch.Witt 20May2009 | | Tyco Electronics tyco Electronics AMP GmbH D - 64625 Bensheim | |
| DIMENSIONS: mm | | TOLERANCES UNLESS OTHERWISE SPECIFIED: 0 PLC ± 1 PLC ± 2 PLC ± 3 PLC ± 4 PLC ± ANGLES ±1° | | NAME ERGOCRIMP-DIE SET MCP1.2 LL - SWS Ergocrimp Matrize MCP1.2 LL - EDS | |
| MATERIAL - FINISH - | | PRODUCT SPEC - APPLICATION SPEC - | | SIZE A3 CAGE CODE 00779 DRAWING NO C-4-1579001-6 RESTRICTED TO - | |
| WEIGHT 200 g | | CUSTOMER DRAWING | | SCALE 2:1 SHEET 1 OF 1 REV C | |