

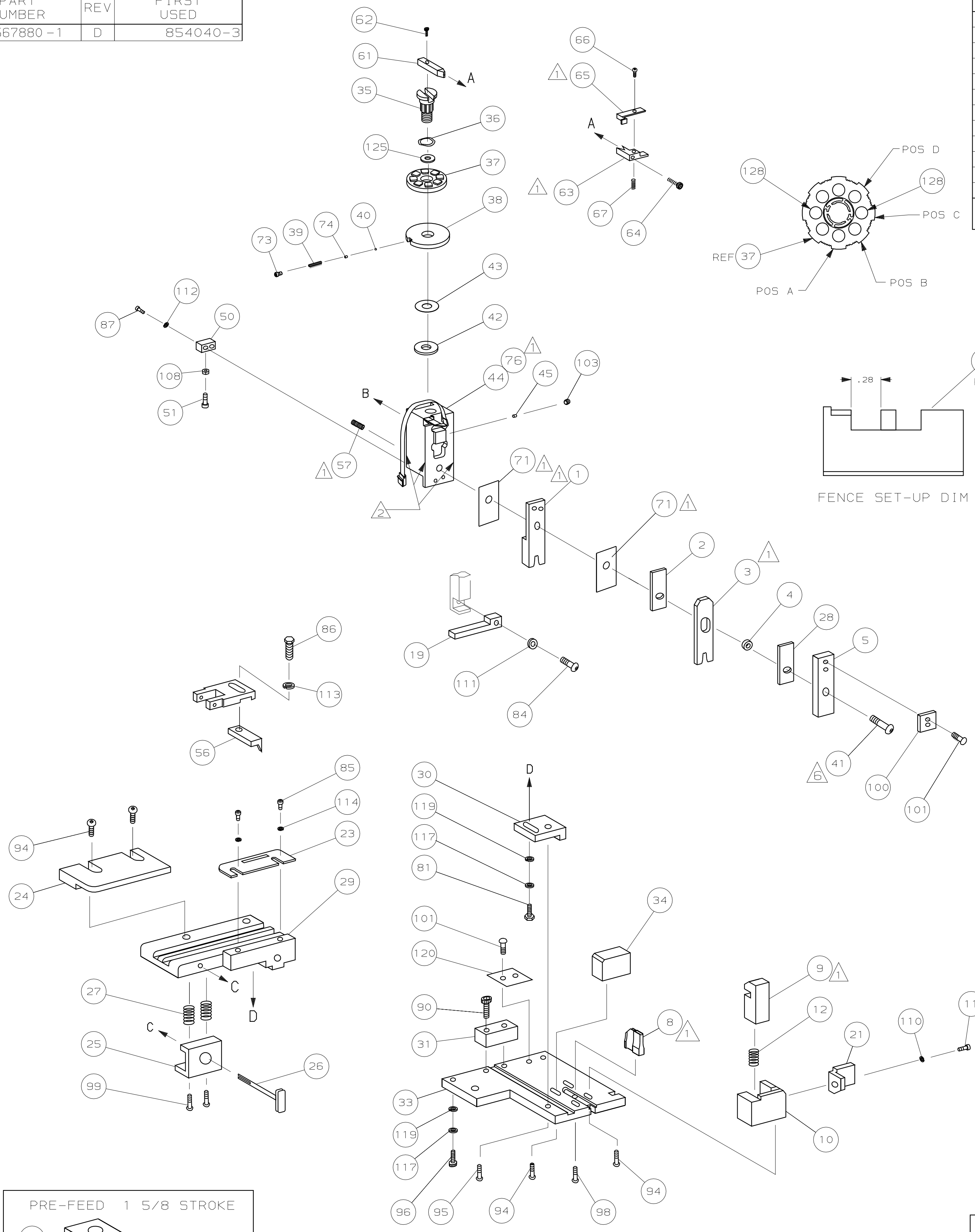
PART NUMBER	REV	FIRST USED
567880-1	D	854040-3

TERMINAL NAME: RECEPTACLE		286558	VISIBLE	CRIMPING DATA	
		AMP	MFG	CRIMP HEIGHT	WIRE SIZE
		286558-1	12034046	A .067 ± .002 [1.70 ± 0.05mm]	18
		286558-2	12015823	B .049 ± .002 [1.24 ± 0.05mm]	20
				C NOT USED	
				D NOT USED	
CRIMP	SIZE	TYPE	RANGE		
WIRE	.094 [2.39mm]	F	20-18		
INSUL	.135 [3.43mm]	F	ϕ .095		
WIRE STRIP LENGTH	TERM APPL SPEC	FEED	APPL INSTRUCTION	SET UP GAGE	LAYOUT
-	NONE	.600	SEE CUSTOMER MANUAL	NONE	L1884

STANDARD FORCE CRIMP QUALITY MONITOR APPLICATOR
SIM TO S/C 567934

					70
					69
					68
1	-	A	2-21010-7	SCR,SET (6-32x.12)LIFT ARM	67
1	-	B	1-21002-6	SCR,BHC (6-32x.25)LEVER	66
1	-	B	856044-1	LEVER, SLIDE LOCK	65
1	-	A	2-21000-0	SCR,SHC (6-32x.50)LIFT ARM	64
1	-	B	856043-1	ARM, LIFT	63
1	-	A	2-21000-6	SCR,SHC (8-32x.38)EXT ARM	62
1	-	B	856042-1	ARM, EXTENSION	61
					60
					59
					58
1	-	A	7-21013-3	SCR,SET (5/16x.38)CR BOLT	57
REF	-	B	694433-8	PAWL, FEED	56
					55
					54
					53
					52
1	-	A	811242-2	BUMPER, HOLDDOWN	51
1	-	A	690753-1	SPACER, TONKER	50
1	-	A	4-240641-1	SPACER, TONKER	49
1	-	A	690602-6	CAM, PRE-FEED 1.62 STROKE	48
					47
					46
1	-	A	690191-1	PLUG, NYLON	45
1	-	C	853493-4	SIDE FEED RAM ASSY	44
1	-	A	690125-1	WASHER, LAMINATED	43
1	-	A	690124-1	WASHER, RAM	42
1	-	A	7-21002-9	BOLT, CRIMPER (5/16x1.00)	41
1	-	A	23241-6	BALL, STEEL	40
1	-	A	690170-1	SPRING, COMPRESSION	39
1	-	C	690142-1	DISC, INSULATION	38
1	-	D	354777-1	WIRE DISC, PLASTIC	37
1	-	A	22480-5	WASHER, SPRING	36
1	-	B	856041-1	POST, RAM	35
1	-	B	690786-1	SUPPORT, TERMINAL	34
1	-	C	462544-1	PLATE, BASE SPECIAL	33
					32
1	-	B	462543-1	BLOCK, SCREW SPECIAL	31
1	-	B	455689-1	BLOCK, STRIP GUIDE ADJ	30
1	-	C	318042-1	STRIP GUIDE PLATE ASSY	29
1	-	C	2-455888-2	SPACER, FRONT SHEAR DEP	28
2	-	A	1-22284-0	SPRING, DRAG	27
1	-	B	690546-1	LEVER, DRAG RELEASE	26
1	-	B	240792-1	DRAG, TERMINAL	25
1	-	D	6-690504-8	GUIDE, STRIP (REAR)	24
1	-	A	690438-1	GUIDE, STRIP (FRONT)	23
					22
1	-	A	463756-1	GUIDE, SCRAP	21
					20
1	-	C	904458-3	STRIPPER	19
					18
					17
					16
					15
					14
					13
1	-	A	5-22280-0	SPRING, SHEAR	12
1	-	B	690461-2	STOP, SHEAR (FRONT)	11
1	-	B	1338996-1	HOLDER, SHEAR (FRONT) SP	10
1	-	B	462547-2	SHEAR, FLOAT (FRONT) SP	9
1	-	C	4-904132-2	ANVIL	8
					7
					6
1	-	A	462838-1	DEPRESSOR, SHEAR (FRONT) SP	5
1	-	B	3-238011-1	SPACER, BLOCK CRIMPER	4
1	-	C	7-683453-6	CRIMPER, INSULATION	3
1	-	C	455888-4	SPACER, CRIMPER	2
1	-	C	7-458141-5	CRIMPER, WIRE	1

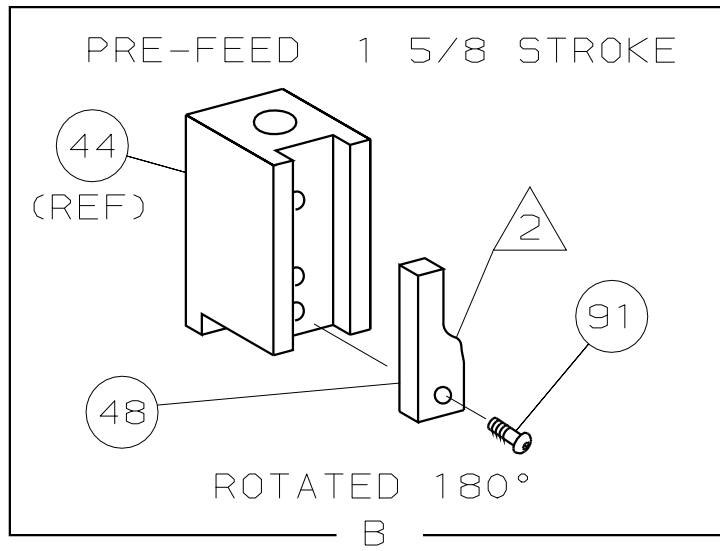
THIS DRAWING IS A CONTROLLED DOCUMENT.



- △ RECOMMENDED SPARE PARTS.
- ② GREASE LIGHTLY.
- ③ ITEM NOT SHOWN
- ④ CUT TO LENGTH AT ASSY
- ⑤ GUIDE OFF INSULATION BARREL
- ⑥ TORQUE ITEM 41 TO 60 INCH POUNDS

QTY	REV	LOC	DWG SIZE	PART NO	DESCRIPTION	ITEM NO
2	-	C		4-354779-2	PIN, WIRE DISC (.3200)D	129
2	-	C		9-354778-1	PIN, WIRE DISC (.2950)C	128
						127
						126
1	-	A		986950-1	WASHER, FLAT PRECISION	125
1	-	A		217238-4	DOCUMENTATION PACKAGE	124
						123
						122
						121
1	-	B		690701-2	PLATE, SERIAL NO.	120
2	-	A		21899-2	WASHER, FLAT (#10)S G ADJ BLK	119
						118
2	-	A		21024-5	WASHER, LOCK (#10)ADJ BLOCK	117
						116
						115
2	-	A		21024-2	WASHER, LOCK (#4)FRONT STP GUIDE	114
REF	-	A		21024-4	WASHER, LOCK (#8)FEED FINGER	113
2	-	A		21024-4	WASHER, LOCK (#8)DEP-HOLD	112
REF	-	A		21024-4	WASHER, LOCK (#8)STRIPPER	111
1	-	A		21024-3	WASHER, LOCK (#6)SCRAP GUIDE	110
						109
1	-	A		21018-5	NUT, HEX (#6)HOLD DOWN	108
						107
						106
						105
						104
1	-	A		21009-2	SCR,SKT SET (1/4-20x.25 LW)RAM	103
						102
4	-	A		21017-2	SCR,DRIVE (#2x.19)ID PLATE	101
1	-	B		819347-1	PLATE, IDENTIFICATION	100
2	-	A		3-21002-0	SCR,BHC (10-32x.88)DRAG	99
1	-	A		22733-8	SCR,BHC (8-32x.38 LW)ANVIL	98
						97
1	-	A		3-21000-8	SCR,SHC (10-32x.88)MOUNTING	96
1	-	A		2-21002-7	SCR,BHC (10-32x.50)SG ADJ BLK	95
6	-	A		2-21002-2	SCR,BHC (8-32x.50)SHEAR-TERM SUP	94
						93
						92
1	-	A		1-21002-7	SCR,SHC (6-32x.50)CAM	91
2	-	A		2-21000-7	SCR,SHC (8-32x.50)SCR BLK	90
						89
						88
2	-	A		2-21000-8	SCR,SHC (8-32x.62)DEP-HOLD DOWN	87
REF	-	A		2-22603-0	SCR,HEX HD (8-32x.31)FEED FINGER	86
2	-	A		1-21000-3	SCR,SHC (4-40x.25)F ST GUIDE	85
REF	-	A		22733-9	SCR,BHC (8-32x.50 SL)STRIPPER	84
						83
						82
1	-	A		3-22603-1	SCR,HEX (10-32x.38)SG ADJ BL	81
						80
						79
						78
2	-	B		463310-4	BLADE, STRIPPING (#18)	77
-	-	D		354440-3	FFC LOOP ASSY	76
						75
1	-	A		690603-1	SPRING, ASSIST	74
1	-	A		23030-1	SCR,SKT CAP (6-32x.25)CP DSC	73
						72
2	-	B		853495-1	GASKET	71
						70

THIS DRAWING IS UNCLASSIFIED
DATE 11/05/99 BY AMP INCORPORATED. ALL RIGHTS RESERVED.



QTY	REV	LOC	DWG SIZE	PART NO	DESCRIPTION	ITEM NO
-1	U/M					
QTY RECD PER ASSY		PARTS LIST				
MATL	HT TR	FIN				
D2	ECN 0150-017609	GB	7-06	DIMENSIONS IN INCHES. DO NOT SCALE PRINT.		
D1	ECN 0150-0178-04	TE	2-04	TOLERANCES UNLESS OTHERWISE SPECIFIED:		
D	0150-0127-00	CE	FEB01	2 PLC DEC ± .02		
C	0150-0819-00	BH	11/00	3 PLC DEC ± .03		
B	0150-0551-00	BH	8/00	4 PLC DEC ± .04		
A	REVISED	BH	7/00	ANGLES ± .		
		BH	7/00	SURF TEXTURE: ✓		
		APP	DATE	REMOVE BURRS, BREAK SHARP EDGES R.015 MAX		
DR	B.HIGMAN	APP	T.ELBIN	AMP Incorporated Harrisburg, PA 17105-3608		
CHK	25MAY00	REL	-	NAME: CQM STRIPPER CRIMPER APPLICATOR MACHINE REF STRIPPER CRIMPER		
SCALE	D	DWG NO	567880	SHEET 1 OF 1 REV D2		
CAGE CODE	00779	CUSTOMER AND ASSEMBLY DRAWING				RESTRICTED TO