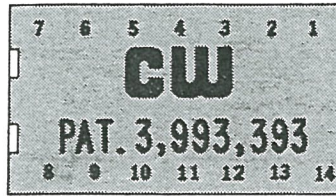
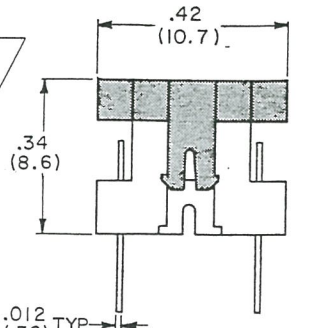
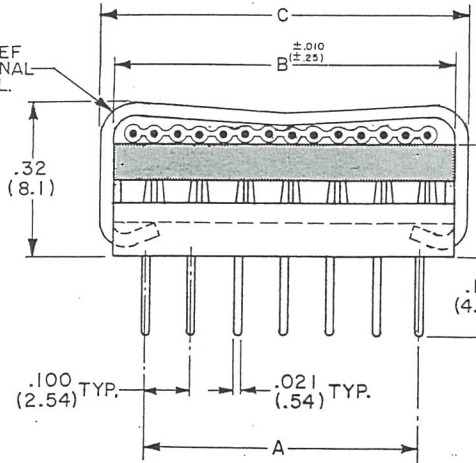


DIP CONNECTOR ($\frac{.300}{.762}$ CENTERS)

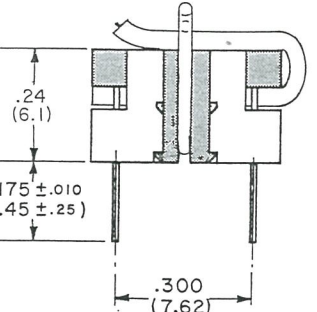
NOTCHED CORNER ORIENTS No.1 CONTACT LOCATION.
(14 CONTACT POSITIONS SHOWN; ALSO AVAILABLE
WITH 16 POSITIONS.)



STRAIN RELIEF STRAP OPTIONAL
STEEL-TIN PL.



CONNECTOR COVER SHOWN
IN OPEN POSITION



CONNECTOR COVER SHOWN
IN CLOSED POSITION

CONNECTOR DIMENSIONS			
No. of SOLDER POSTS	A	B	C
14	.60 (15.2)	.754 (19.2)	.81 (20.6)
16	.70 (17.8)	.854 (21.7)	.91 (23.1)

DIMENSIONS IN INCHES (MILLIMETERS)
DO NOT SCALE DRAWING

Dwg. No.
CWR-130-XX-0000

NOTES:

1. Dimensions are in inches; dimensions () are in millimeters.
2. Metric equivalents are given for general information only and are based upon 1.00 inches = (25.4) millimeters.
3. Unless otherwise specified, tolerances are $\pm .005$ (.13) for three place decimals and $\pm .01$ (.3) for two place decimals.

MATERIALS:

PLASTIC PARTS - UL94V-O Thermoplastic (blue), flame retardant.
CONTACTS - Phosphor bronze, std.
CONTACT PLATING - .000010 gold over .000050 nickel, std.

OPERATING STANDARDS:

TEMPERATURE RATING - 125°C.
CONTACT RATING - 1 Ampere.
DIELECTRIC STRENGTH - Over 500 V.D.C. at sea level.
CONDUCTORS ACCEPTED - 28-30 AWG solid or stranded.

CUSTOMER DRAWING

FORM-B3	REVISIONS
0	RELEASED. LW 3-05-82
1	REDRAWN, ADDED CUSTOMER DWG. & NEW FORMAT 'B'. DCW 3-21-97 <i>GG. MAR 25 1997</i>

ATTENTION
THIS DRAWING AND ITS ATTACHMENTS, IF ANY, ARE PROPRIETARY TO CW INDUSTRIES AND DESCRIBE DESIGNS THAT ARE CONFIDENTIAL AND MUST NOT BE DISCLOSED UNLESS AUTHORIZED, IN WRITING, BY AN OFFICER OF CW INDUSTRIES.....

CW INDUSTRIES
Southampton, Pa. 18966

TOLERANCES UNLESS OTHERWISE SPECIFIED	
2 Place Decimal $\pm .010$	METRIC
3 Place Decimal $\pm .005$	1 Place Dec. $\pm .25$ mm
Angles $\pm 1'$	2 Place Dec. $\pm .13$ mm

Made for: CW IND.
Drawn by: DGW 3-21-97
Checked by: *G. GOLD 3-24-97*
Approval: *A. HOSFIELD 3-25-97*

Title: DIP CONNECTOR
NO. CONTS. PER
CONN. DIM. CHART
W/.175" SOLDER POSTS

Division:
CONNECTOR

Dwg. No.
CWR-130-XX-0000

MASTER