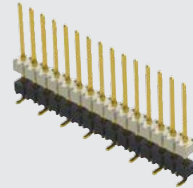
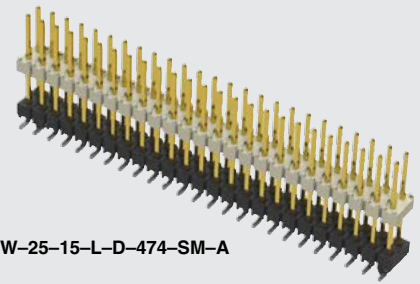




HW-15-08-G-S-335-SM



HW-25-15-L-D-474-SM-A



(2.54 mm) .100"

HW-SM SERIES

FLEXIBLE .025" SQ BOARD STACKERS

Board Mates:

SSW, SSQ, ESW, ESQ, CES, SLW, BSW, BCS, SSM, HLE, PHF

Cable Mates:

IDSS, IDSD, SMSD, SMSS

SPECIFICATIONS

For complete specifications and recommended PCB layouts see www.samtec.com?HW-SM

Insulator Material:

Top: Natural LCP

Bottom: Black LCP

Terminal Material:

Phosphor Bronze

Plating:

Au or Sn over 50 μ" (1.27 μm) Ni

Operating Temp Range:

-55 °C to +125 °C with Gold

-55 °C to +105 °C with Tin

RoHS Compliant:

Yes

PROCESSING

Lead-Free Solderable:

Yes

SMT Lead Coplanarity:

(0.15 mm) .006" max

RECOGNITIONS

For complete scope of recognitions see www.samtec.com/quality

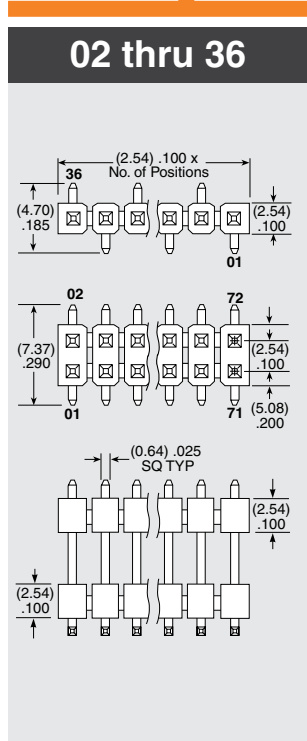


ALSO AVAILABLE (MOQ Required)

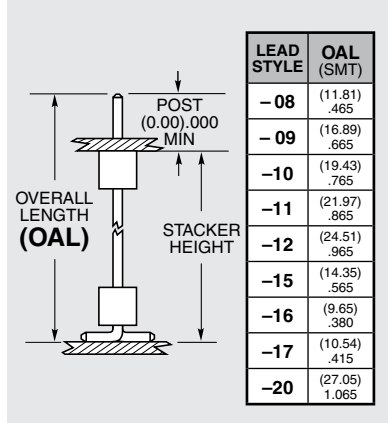
- Other platings
 - Locking Clip (Manual placement required) available with double row -SM
- Contact Samtec.

Note: For added mechanical stability, Samtec recommends mechanical board spacers be used in applications with gold or selective gold plated connectors. Contact ipg@samtec.com for more information.

Note: This Series is non-standard, non-returnable.

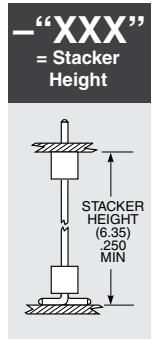


Specify LEAD STYLE from chart

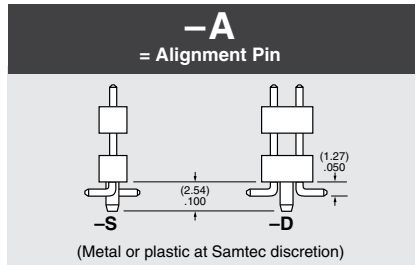


- S = Single Row

- D = Double Row



- "XXX" = Polarized
Specify omitted pin position



-TR = Tape & Reel Packaging (4-27 pins per row only)
(Not Available on Lead Styles 10, 11, 12 & 20)

-F = Gold flash on contact, Matte Tin on tail

-L = 10 μ" (0.25 μm) Gold on contact area of longer tail, Matte Tin on tail

-G = 10 μ" (0.25 μm) Gold on contact area of longer tail, Gold flash on balance

-T = Matte Tin