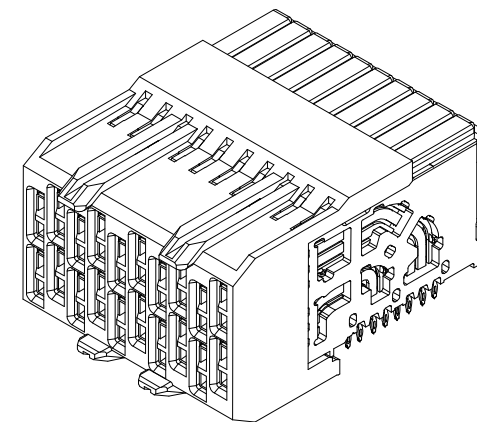


NOTES:

- MATERIALS: HOUSING - LIQUID CRYSTAL POLYMER (LCP)
GLASS-FILLED, UL94V-0
TERMINALS - HIGH PERFORMANCE COPPER ALLOY
- FINISH: 30uIN GOLD IN CONTACT AREA.
SELECTIVE TIN ON PCB TAILS.
NICKEL OVERALL.
- REFER TO MOLEX PRODUCT SPECIFICATION PS-171320-999 FOR PERFORMANCE SPECIFICATIONS.
- THIS PART CONFORMS TO CLASS B REQUIREMENTS OF MOLEX COSMETIC SPEC PS-45499-002.
- PRODUCT WILL BE PACKAGED PER PK-78888-313.
- SEE SHEET 2 FOR HOLE PATTERN DIMENSIONS.
- MATES WITH IMPEL BP SERIES NUMBER 171745.
- REFER TO IMPEL PCB ROUTING GUIDE AS-171320-990 FOR ANTIPAD, ROUTING RECOMMENDATIONS, AND ADDITIONAL PCB INFORMATION.
- WHEN STACKING MODULES END TO END, THE MINIMUM COLUMN TO COLUMN HOLE SPACING IS 2.65mm.



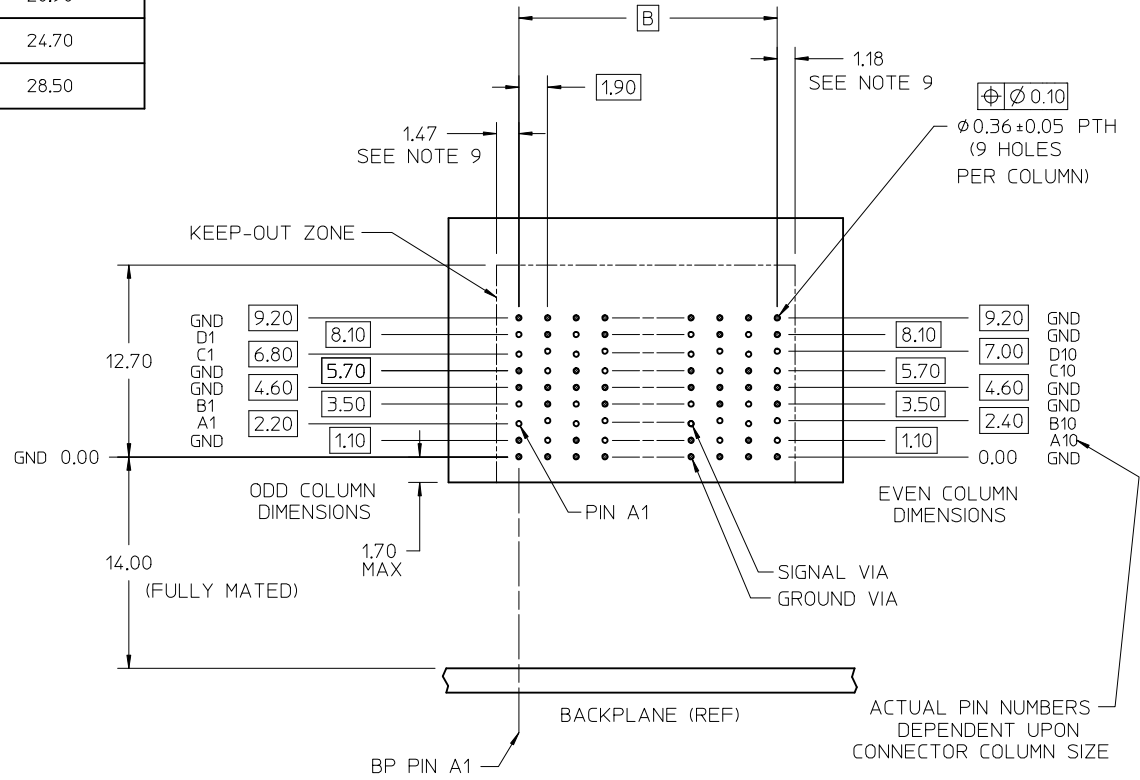
ADD 8 COL OPTION EC NO: UCP2017-0629 DRWING: WLE01 2016/09/01 CHKD: APPR: SHLENI 2016/10/06	QUALITY SYMBOLS	GENERAL TOLERANCES (UNLESS SPECIFIED)		DIMENSION STYLE MM ONLY		SCALE 4:1	DESIGN UNITS METRIC	THIRD ANGLE PROJECTION	
	▽ = 0	4 PLACES ± --- ± ---	mm	INCH	DRAWN BY JLAURX	DATE 2012/12/05	TITLE IMPEL DAUGHTERCARD ASSY 2 PAIR - 1.9MM PITCH UNGUIDED SALES DRAWING		
	▽ = 0	3 PLACES ± --- ± ---			CHECKED BY CYLIAW	DATE			
	▽ = 0	2 PLACES ± 0.13 ± ---			APPROVED BY JB INGHAM	DATE 2014/12/18			
		1 PLACE ± 0.25 ± ---			MATERIAL NO.		DOCUMENT NO.	SHEET NO.	
		0 PLACE ± --- ± ---			SEE CHART		SD-171750-0001	1 OF 2	
			ANGULAR ±1/2°		THIS DRAWING CONTAINS INFORMATION THAT IS PROPRIETARY TO MOLEX INCORPORATED AND SHOULD NOT BE USED WITHOUT WRITTEN PERMISSION				
			DRAFT WHERE APPLICABLE MUST REMAIN WITHIN DIMENSIONS						

MATERIAL NUMBER	NUMBER OF COLUMNS	NUMBER OF DIFF PAIR	DIM "A"	DIM "B"
171750-1038	8	16	15.95 MAX	13.30
171750-1020	10	20	19.75 MAX	17.10
171750-1022	12	24	23.55 MAX	20.90
171750-1024	14	28	27.35 MAX	24.70
171750-1026	16	32	31.15 MAX	28.50

171750-10**

MODULE TYPE
1 = UNGUIDED

COLUMN SIZE
38 = 8 COLUMN
20 = 10 COLUMN
22 = 12 COLUMN
24 = 14 COLUMN
26 = 16 COLUMN



DAUGHTERCARD HOLE PATTERN
(CONNECTOR SIDE)

SEE SHEET 1 EC NO: UCP2017-0629 DRAWN: MWLEE01 2016/09/01 CHKD: APPR: SHLENI 2016/10/06	QUALITY SYMBOLS ▽=0 ▽=0 ▽=0	GENERAL TOLERANCES (UNLESS SPECIFIED)		DIMENSION STYLE MM ONLY		SCALE 4:1	DESIGN UNITS METRIC	THIRD ANGLE PROJECTION		
		4 PLACES ± --- ± ---	mm	INCH	DRAWN BY JLAURX	DATE 2012/12/05	TITLE IMPEL DAUGHTERCARD ASSY 2 PAIR - 1.9MM PITCH UNGUIDED SALES DRAWING			
		3 PLACES ± --- ± ---			CHECKED BY CYLIAW	DATE				
		2 PLACES ± 0.13 ± ---			APPROVED BY JB INGHAM	DATE 2014/12/18	DOCUMENT NO. SD-171750-0001			
1 PLACE ± 0.25 ± ---			MATERIAL NO. SEE CHART		SHEET NO. 2 OF 2					
0 PLACE ± --- ± ---			ANGULAR ±1/2°		THIS DRAWING CONTAINS INFORMATION THAT IS PROPRIETARY TO MOLEX INCORPORATED AND SHOULD NOT BE USED WITHOUT WRITTEN PERMISSION					
DRAFT WHERE APPLICABLE MUST REMAIN WITHIN DIMENSIONS			SIZE C							