

4

3

2

1

THIS DRAWING IS UNPUBLISHED.

RELEASED FOR PUBLICATION

© COPYRIGHT

ALL RIGHTS RESERVED.

LOC

DIST


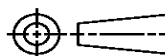
REVISIONS

P	LTR	DESCRIPTION	DATE	DWN	APVD

REPLACED BY OCEAN STYLE APPLICATOR PART NUMBER

FOR REPLACEMENT PARTS FOR APPLICATOR REFER TO ADDITIONAL PAGE(S). SPARE PARTS KIT (IF LISTED) WILL REMAIN AVAILABLE.

THE REPLACEMENT OCEAN STYLE APPLICATOR HAS THE SAME TERMINATOR/PRESS INTERFACE AS APPLICATOR

THIS DRAWING IS A CONTROLLED DOCUMENT.		DWN	 TE Connectivity		
DIMENSIONS:		CHK			
TOLERANCES UNLESS OTHERWISE SPECIFIED:		APVD	NAME		
		PRODUCT SPEC	RESTRICTED TO		
		APPLICATION SPEC	SIZE	CAGE CODE	DRAWING NO
MATERIAL	FINISH	WEIGHT	A3	C-	
		SCALE	SHEET	OF	REV

THIS DRAWING IS UNPUBLISHED. RELEASED FOR PUBLICATION

© COPYRIGHT 20 BY TYCO ELECTRONICS CORPORATION. ALL RIGHTS RESERVED.

PART NUMBER	REV	DESCRIPTION	PROGRAMMED MEMORY CHIP
1911094-1	D	CUTS CARRIER	8-1911094-1
1911094-6	D	CONTINUOUS CARRIER	8-1911094-6
7-1911094-1	D	-1 AND SPARE PARTS	9-1911094-1
7-1911094-6	D	-6 AND SPARE PARTS	9-1911094-6
7-1911094-7	A	SPARE PARTS KIT	-

APPLICATOR DATA

CRIMP	SIZE	TYPE
WIRE	2.03mm [.080]	F
INSUL	2.54mm [.100]	O

APPL INSTRUCTIONS
408-10135

TERMINAL DATA: TE TERMINAL TYCO ELECTRONICS CRIMP SPEC

TERMINAL NAME: TAB 1.6x0.6 MM, TYP A

WIRE STRIP LENGTH	INSULATION DIAMETER RANGE
3.7-4.3 mm [.145-.169 IN]	1.40-2.10mm [.055-.082 IN]

TERMINAL APPL SPEC 114-18082

TERMINALS APPLIED

964267-1	964267-2	964267-3	-

WIRE SIZE	CRIMP HEIGHT
1mm ²	1.36±.05 [.054±.002]
0.85mm ²	1.31±.05 [.052±.002]
0.75mm ²	1.27±.05 [.050±.002]
0.7mm ²	1.25±.05 [.049±.002]
0.5mm ²	1.18±.05 [.046±.002]

TERMINAL DATA: TE TERMINAL TYCO ELECTRONICS CRIMP SPEC

TERMINAL NAME: TAB 1.6x0.6 MM, TYP A

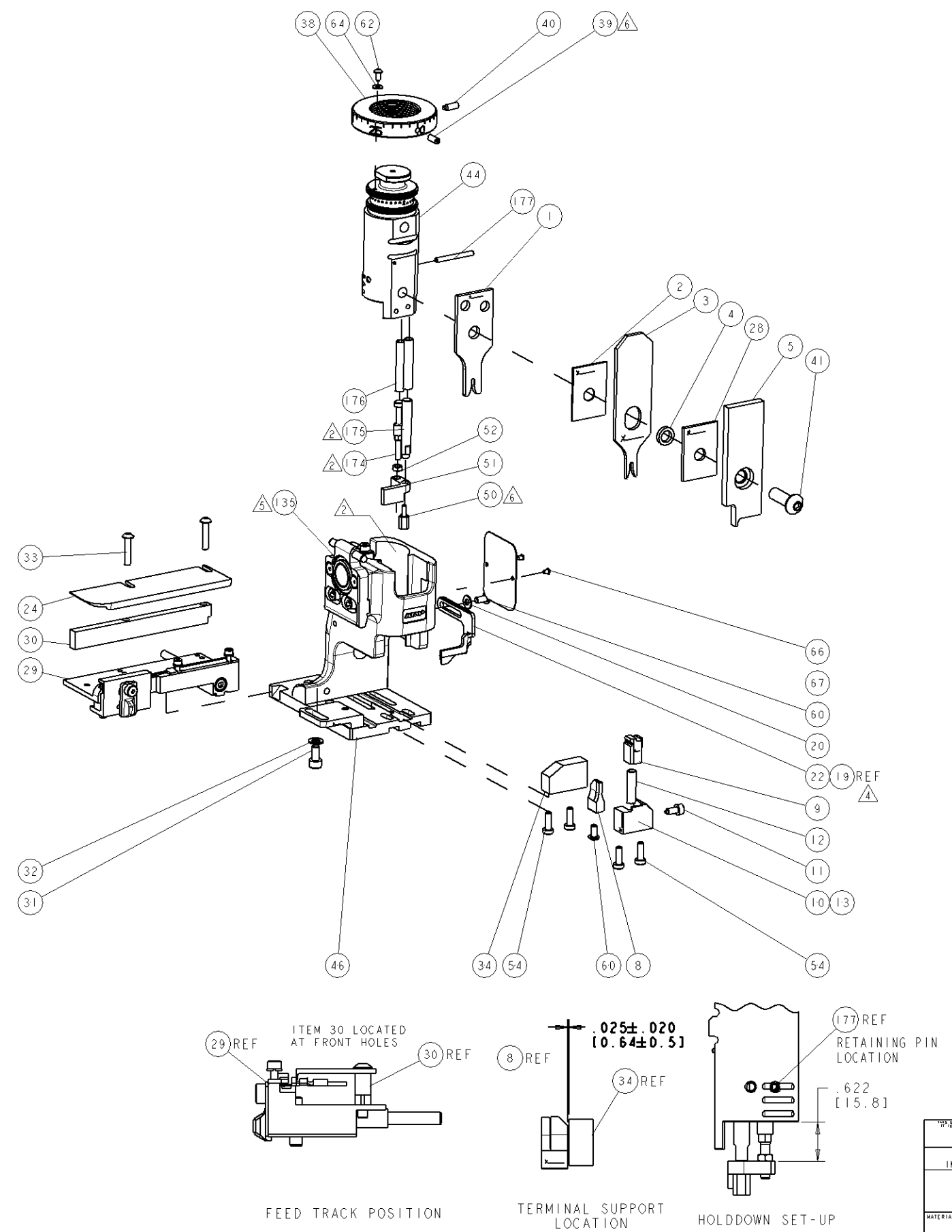
WIRE STRIP LENGTH	INSULATION DIAMETER RANGE
3.9-4.4 mm [.153-.173 IN]	1.40-2.10mm [.055-.082 IN]

TERMINAL APPL SPEC 114-18081

TERMINALS APPLIED

964263-2	964263-3	4-964263-1	-

- ⓘ RECOMMENDED SPARE PARTS.
- ⚠ GREASE BEARING SURFACES LIGHTLY.
- 3. LUBRICATE DAILY PER THE APPLICATOR INSTRUCTION SHEET SUPPLIED WITH THE APPLICATOR.
- ⚠ ITEM 19 - OPTIONAL STRIPPER FOR BENCH MACHINE APPLICATIONS.
- ⚠ APPLICATOR SPECIFIC DATA TO BE ENTERED INTO BLANK MEMORY CHIP AT ASSEMBLY.
- ⚠ APPLY P/N 1-23419-5 LOCTITE(R) TO THREADS.



REV	DATE	BY	CHK	DESCRIPTION
A	19JUL2007	RD	ND	RELEASED
B	19MAR2008	MEH	GB	ECR 08-006703
C	01NOV2009	MY	TE	ECR 09-024287
D	29MAR2011	XZ	TE	ECR-11-005803

QTY	REV	REF	REF	REF	REF	PART NO	DESCRIPTION	ITEM NO
-	1	1	1	1	1	1-993111-6	PIN, SLOTTED SPRING 3.0 X 30.0	177
-	2	2	2	2	2	3-22280-7	SPRING, COMPRESSION	176
-	1	1	1	1	1	1752353-1	GUIDE PIN, HOLDDOWN	175
-	1	1	1	1	1	1901680-1	GUIDE PIN, HOLDDOWN	174
-	REF	REF	REF	REF	REF	SEE TABLE	MEMORY CHIP, PROGRAMMED	135
-	1	1	1	1	1	1633565-1	DOCUMENTATION PACKAGE S111	71
-	1	1	1	1	1	1901048-1	TAG, IDENTIFICATION	67
-	2	2	2	2	2	21017-1	SCREW, DRIVE	66
-	1	1	1	1	1	18028-1	WASHER, FLAT, REG M3	64
-	1	1	1	1	1	1655785-9	SCR, BTN SKT HD CAP (M3 X 6)	62
-	2	2	2	2	2	1655785-1	SCR, BTN SKT HD CAP (M4 X 8)	60
-	4	4	4	4	4	1655783-3	SCR, CAP, SOC HD, LOW HEAD, M4 X 12	54
-	1	1	1	1	1	1-18030-0	NUT, HEX, REG M3.5	52
-	1	1	1	1	1	1901681-1	HOLDDOWN, TERMINAL	51
-	1	1	1	1	1	1-1752354-9	STANDOFF, HOLD-DOWN	50
-	1	1	1	1	1	1752300-1	SF SYSTEM III APPLICATOR	46
-	1	1	1	1	1	1752308-1	RAM	44
-	1	1	1	1	1	2-1655785-3	SCR, BTN SKT HD CAP (M8 X 25)	41
-	1	1	1	1	1	993002-4	SCREW, SET, SFT TIP	40
-	1	1	1	1	1	1962043-1	PLUNGER, BALL, METRIC	39
-	1	1	1	1	1	1752309-1	RING, INSULATION CRIMP	38
-	1	1	1	1	1	1-1752356-3	SUPPORT, TERMINAL	34
-	2	2	2	2	2	3-1655785-3	SCR, BTN SKT HD CAP (M4 X 20)	33
-	1	1	1	1	1	18028-3	WASHER, FLAT, REG M5	32
-	1	1	1	1	1	5-1655316-3	SCR, SKT HD CAP, M5 X 10.0	31
-	1	1	1	1	1	1320908-1	SPACER, STRIP GUIDE	30
-	1	1	1	1	1	1901087-3	ASSEMBLY, STRIP GUIDE	29
-	1	1	1	1	1	1-455888-9	SPACER, CRIMPER	28
-	1	1	1	1	1	1320928-1	PLATE, STRIP GUIDE	24
-	1	1	1	1	1	1976045-1	STRIPPER	22
-	1	1	1	1	1	18028-2	WASHER, FLAT, REG M4	20
-	REF	REF	REF	REF	REF	1752311-1	STRIPPER	19
⚠	1	-	-	-	-	1338684-1	SHEAR HOLDER, FRONT	13
⚠	1	1	1	1	1	3-22280-3	SPRING, COMPRESSION	12
⚠	1	1	1	1	1	356885-4	STOP, SHEAR	11
⚠	-	-	-	-	-	1320921-1	SHEAR HOLDER, FRONT, CUT	10
⚠	1	1	1	1	1	462006-1	FLOATING SHEAR, FRONT	9
⚠	1	2	2	1	1	1333204-3	ANVIL, COMBINATION	8
⚠	1	1	1	1	1	1-455889-4	DEPRESSOR, SHEAR	5
⚠	1	1	1	1	1	238011-4	BLOCK, CRIMPER SPACER	4
⚠	1	2	2	1	1	9-456135-6	CRIMPER, INSULATION O PREMIUM	3
⚠	1	1	1	1	1	455888-7	SPACER, CRIMPER	2
⚠	1	2	2	1	1	1-456405-5	CRIMPER, WIRE PREMIUM	1

DIMENSIONS: INCHES [mm]		TOLERANCES UNLESS OTHERWISE SPECIFIED:		DWG M. CLIFFORD 04JUN2007		Tyco Electronics Tyco Electronics Horriaburg, PA 17105-3608	
0	PLC	±		APD T. BENCHOFF	NAME	SIDE FEED SYSTEM III APPLICATOR	
1	PLC	±		PRODUCT SPEC	SIZE	CAGE CODE	DRAWING NO
2	PLC	±		APPLICATION SPEC	A	00779	1911094
3	PLC	±		SEE TABLE	RESTRICTED TO		
4	PLC	±		WEIGHT			
ANGLES	±			CUSTOMER ACCESSIBLE	PRODUCTION DRAWING	SCALE	3:5
FINISH				SHEET	1	OF	1
				REV	D		