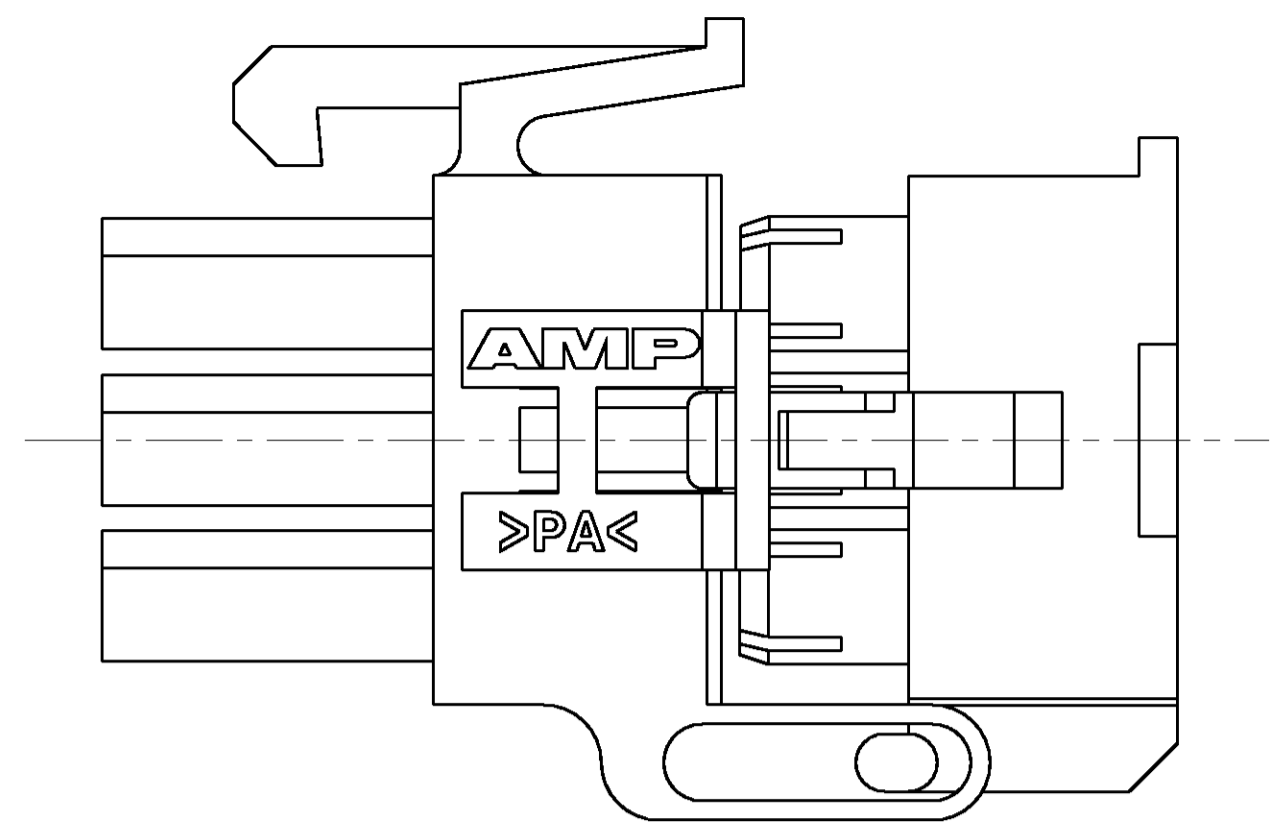
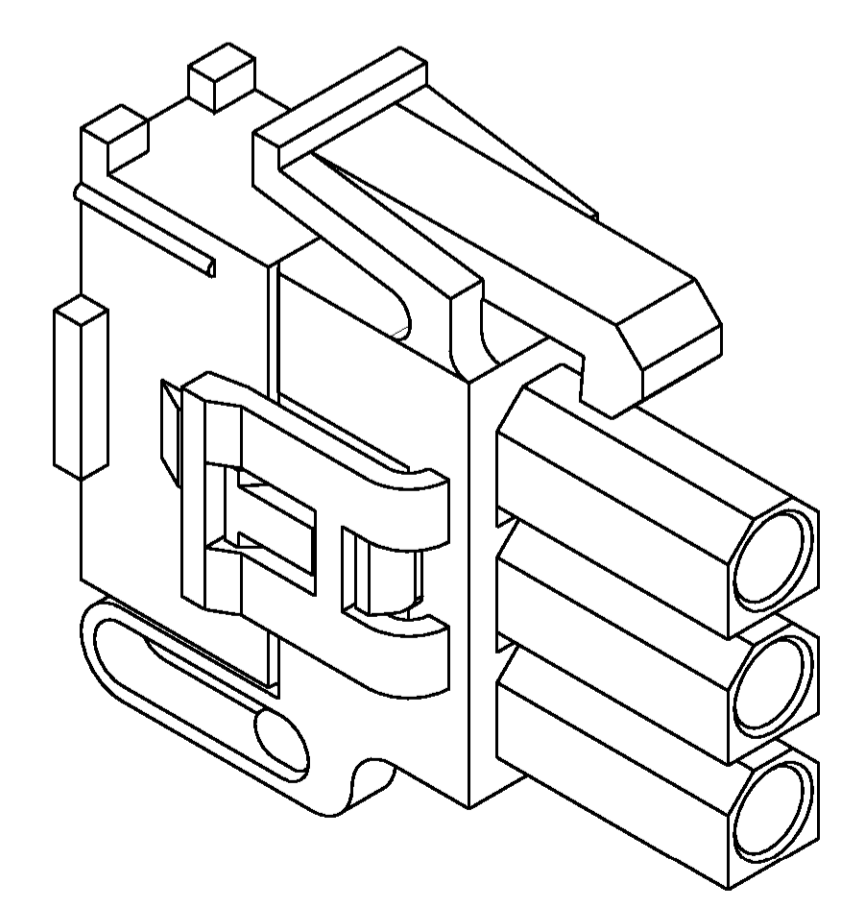
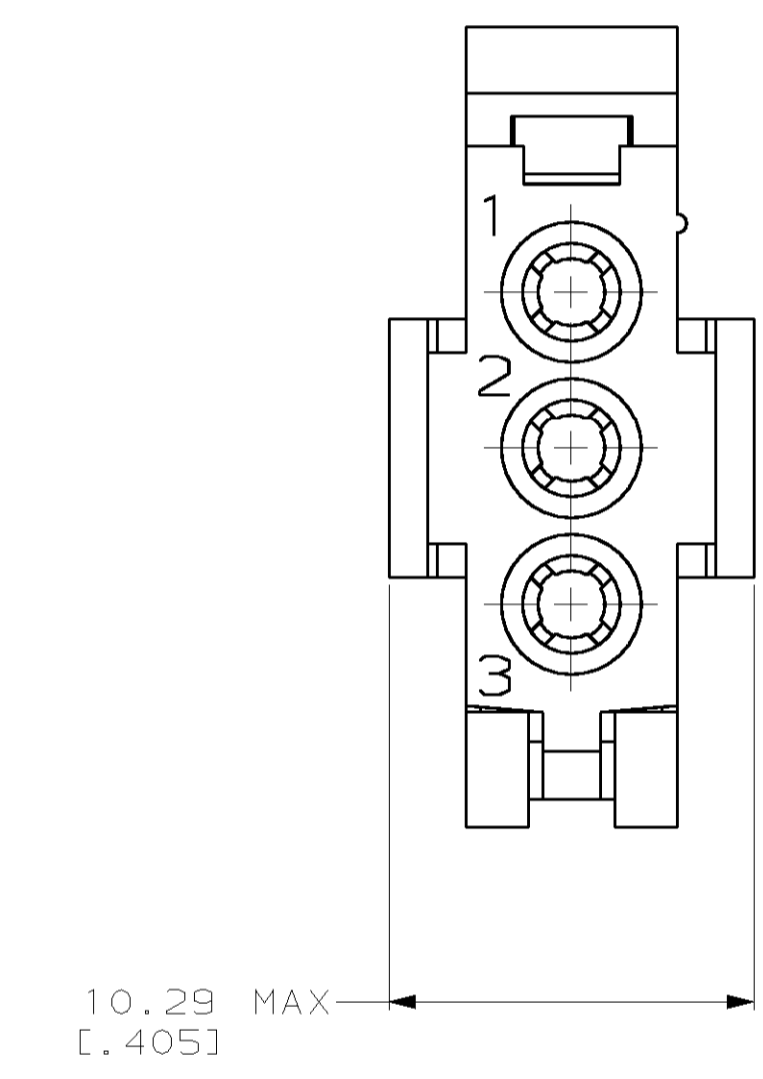
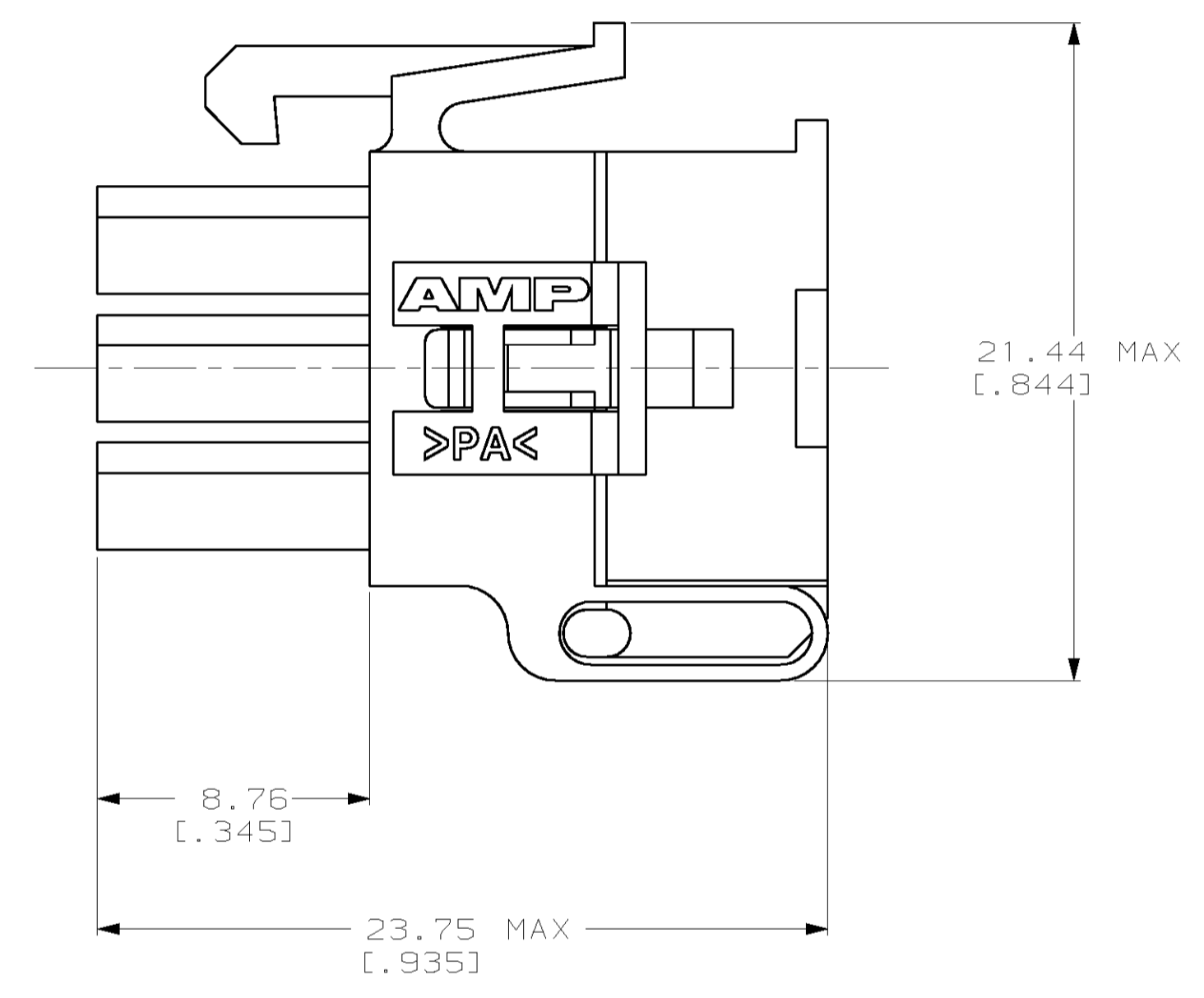
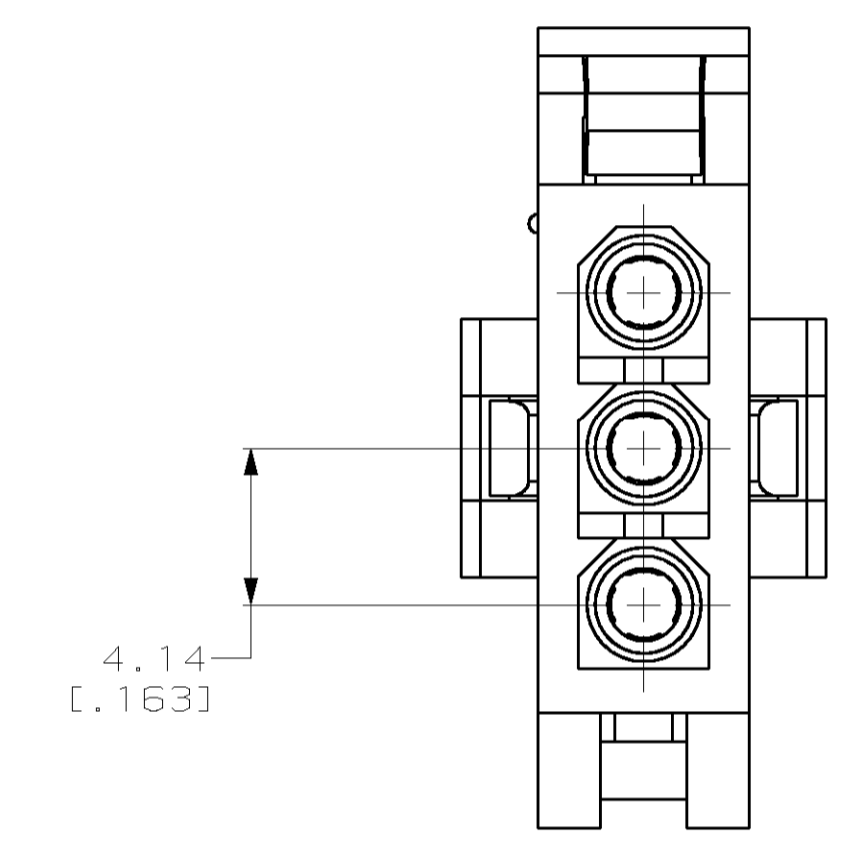


LOC		DIST		REVISIONS				
F	CHR	DATE	OWN	APVD	DESCRIPTION	DATE	OWN	APVD
B		23-SEP-99	KW	KC	REV PER EC 061B-0094-99			



PRE-STAGED CONDITION

1. DIMENSIONS IN BRACKETS ARE IN INCHES.



3-DIMENSIONAL MODEL
NTS

794239-1
PART NUMBER



THIS DRAWING IS A CONTROLLED DOCUMENT.		DWN K. WHITAKER	5-09-97	AMP AMP Incorporated Harrisburg, PA 17105-3608
DIMENSIONS:		CHK R. SWING	5-09-97	
mm	TOLERANCES UNLESS OTHERWISE SPECIFIED:	APVD S. ORSTAD	5-09-97	NAME PLUG, 3 CIRCUIT, MINI UNIVERSAL MATE-N-LOK™ 2
0 PLC	±	PRODUCT SPEC		SIZE A1
1 PLC	±	APPLICATION SPEC		CAGE CODE 00779
2 PLC	±0.13 [0.005]			DRAWING NO 794239
3 PLC	±			RESTRICTED TO
4 PLC	±			
ANGLES	±			
	±			
MATERIAL NYLON, UL 94V-2, NATURAL	FINISH -	WEIGHT -		CUSTOMER DRAWING
			SCALE 5:1	SHEET 1 OF 1
			REV B	