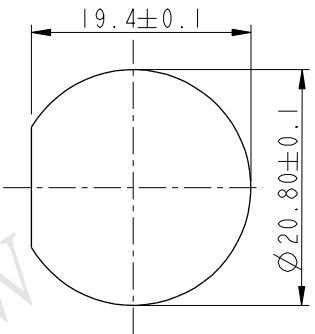
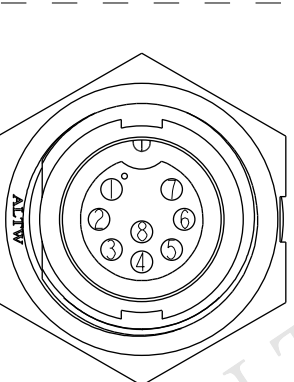
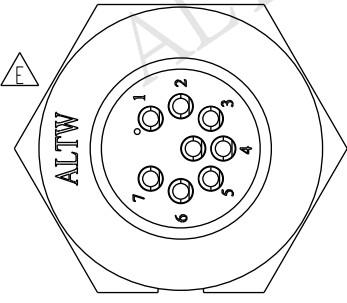
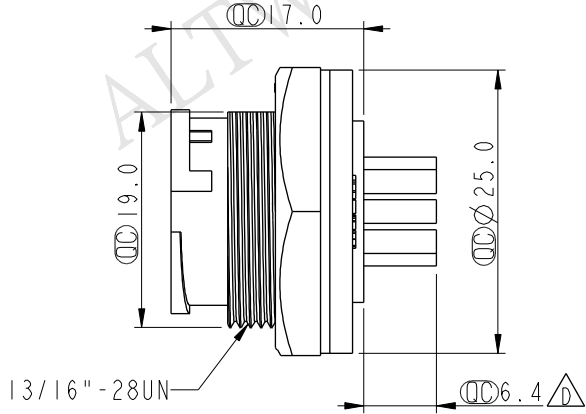
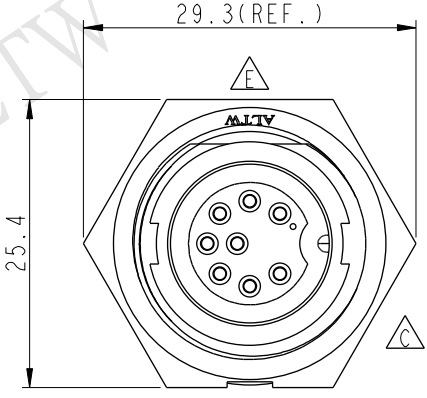


REV.	ECN NO.	DATE	SIGN	DESCRIPTION
C	LE3-8C0026	2008/11/07	TOMMY	Change To Pin Hole
D	LEN-910263	2008/01/15	TOMMY	CHANGE PIN DIMENSION
E	LEN1630502	2016/03/16	Ruru	Change Logo

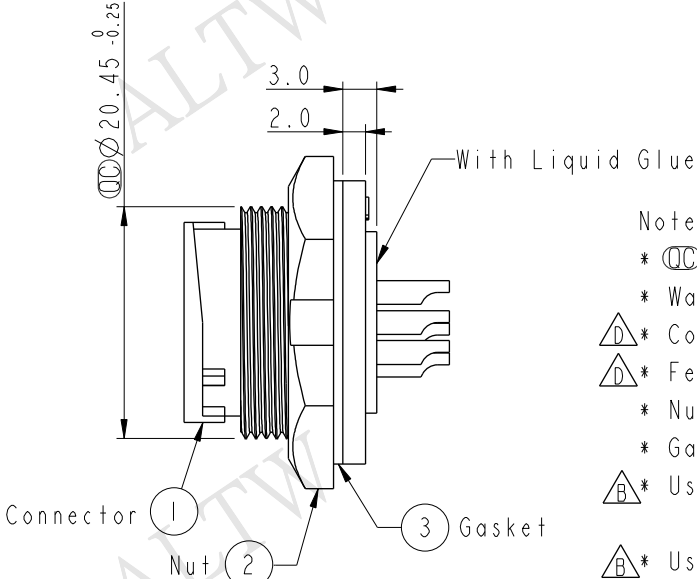
ALTW
CONFIDENTIAL
2016-03-16
R&D DEPT.

ALTW
DCC. DEPT.
CONFIDENTIAL
2016.03.31
ISSUED



Pin Assignments
Front View

Recommended Panel Cut-Out



- Notes:
- * \varnothing Important Dimension To Check.
 - * Waterproof Rate: IP67
 - \triangle * Connector: Nylon+GF, Black
 - \triangle * Female Pin: Copper Alloy, Gold Plated
 - * Nut: Nylon+GF
 - * Gasket: EPDM
 - \triangle * Use with waterproof cap or dust cap
Panel Thickness Max: 3.0mm
 - \triangle * Use without waterproof cap or dust cap
Panel Thickness Max: 4.0mm

UNIT:mm		
TOLERANCE	.X	±0.25
	.XX	±0.1
	.XXX	±0.05
ANGLES		±1°

TITLE Middle Panel Lock 8Pin M Conn F Pin			
SCALE	SIZE	SHEET	OF
1:1	A4	1	1
REV.	WC-REV.	\varnothing : Inspection item	
E	A.2		

Amphenol LTW
安費諾亮泰企業股份有限公司

ITEM NO	CD-08PMFS-LC7001	DRAWN BY	Ruru	DATE	2016-03-16
DWG NO	CD-08PMFS-LC7001	CHECKED BY	Rita	DATE	2016-03-16
CUSTOMER	ALTW	APPROVED BY	Lisa	DATE	2016-03-16

THIS DOCUMENT IS SUBJECT TO CHANGE WITHOUT NOTICE. IT IS CONFIDENTIAL AND A PROPERTY OF AMPHENOL LTW. DISCLOSURE TO THIRD PARTY HAS TO BE AUTHORIZED BY AMPHENOL LTW.