

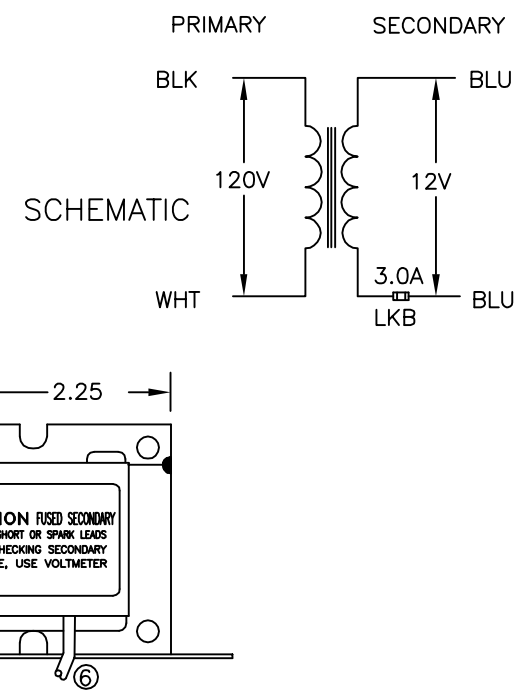
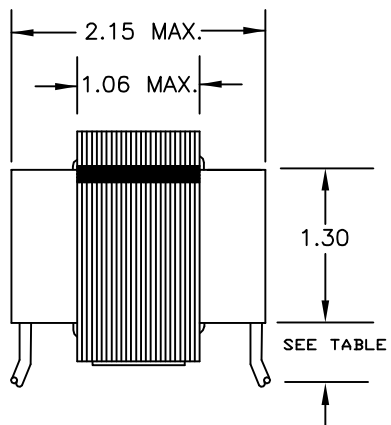
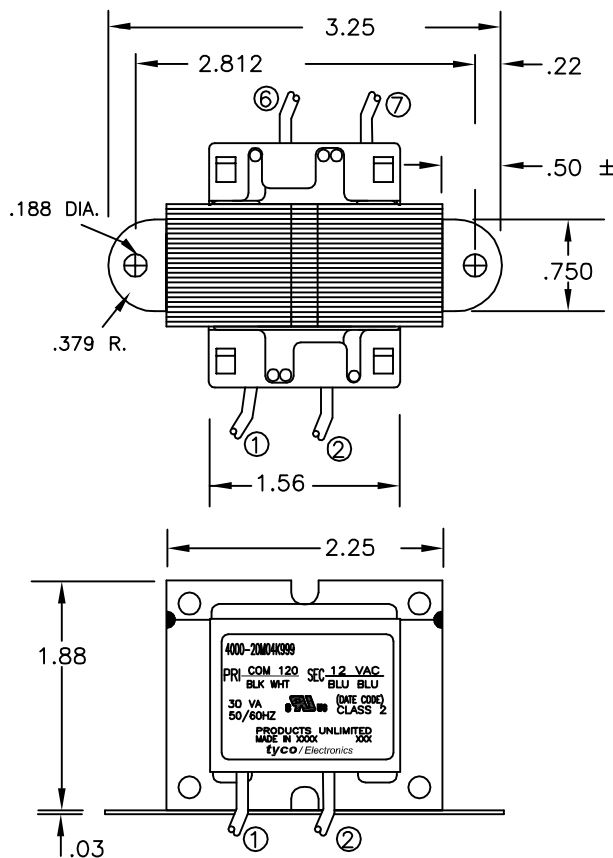
THIS DRAWING IS UNPUBLISHED. RELEASED FOR PUBLICATION  
 © COPYRIGHT - BY TYCO ELECTRONICS CORPORATION. ALL RIGHTS RESERVED.

LOC	DIST	REVISIONS					
GZ	00	P	LTR	DESCRIPTION	DATE	DWN	APVD
		A		NEW FORMAT & EC0720-0114-04	23FEB04	MD	KH

ALL LEADS 18AWG-UNLESS OTHERWISE SPECIFIED					
PRIMARY					
LEAD NO.	1	2	3	4	5
VOLTAGE	COM	120			
COLOR	BLK	WHT			
LENGTH	12.0	12.0			
STRIP LENGTH	.50	.50			

- NOTES
1. DIMENSIONS FOR REFERENCE ONLY.
  2. ALL LEADS +1"/-0" TOL.
  3. STRIP TOL. ±1/32
  4. WINDING PROTECTION- 3.0 AMP LKB FUSE IN SECONDARY NON-INHERENTLY LIMITED

CERTIFICATION: UL & CUL FILE NO. E87824					
SECONDARY					
LEAD NO.	6	7	8	9	
VOLTAGE	12	VAC			
COLOR	BLU	BLU			
LENGTH	12.0	12.0			
STRIP LENGTH	.50	.50			



THIS DRAWING IS A CONTROLLED DOCUMENT.

DIMENSIONS:	TOLERANCES UNLESS OTHERWISE SPECIFIED:
INCHES	
	0 PLC ± -
	1 PLC ± -
	2 PLC ± -
	3 PLC ± -
	4 PLC ± -
	ANGLES ± 1'
MATERIAL	FINISH
-	-

DWN	M.DAVIS	23FEB04	TYCO PART NUMBER		4-1611450-4
CHK	K.HOLSCHUH	23FEB04	Tyco Electronics Corporation		Harrisburg, Pa 17105-3608
APVD	K.HOLSCHUH	23FEB04	NAME		TRANSFORMER OUTLINE
PRODUCT SPEC			-		
APPLICATION SPEC			-		
SIZE	A3	CAGE CODE	00779	DRAWING NO	C=4000-20M04K999
WEIGHT			-		
CUSTOMER DRAWING			SCALE	NTS	SHEET 1 OF 1
			REV A		