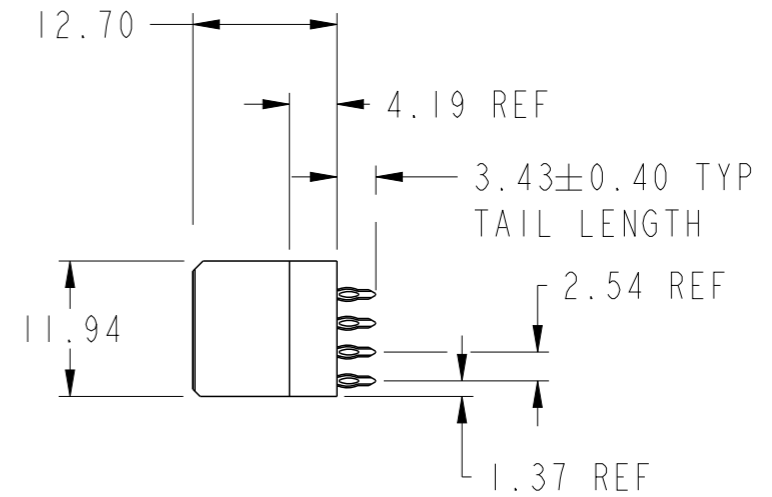
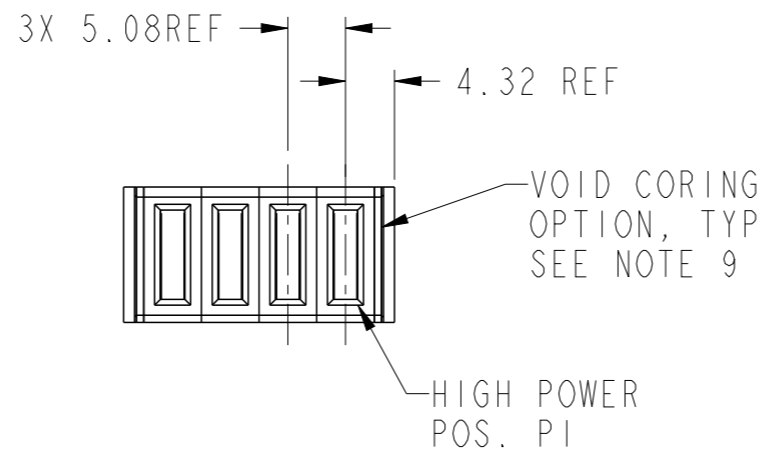
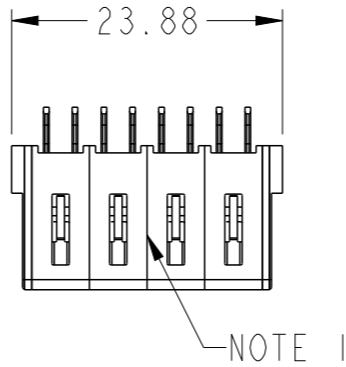
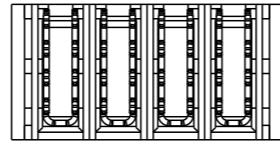


PRODUCT NUMBER SEE SHEET 2



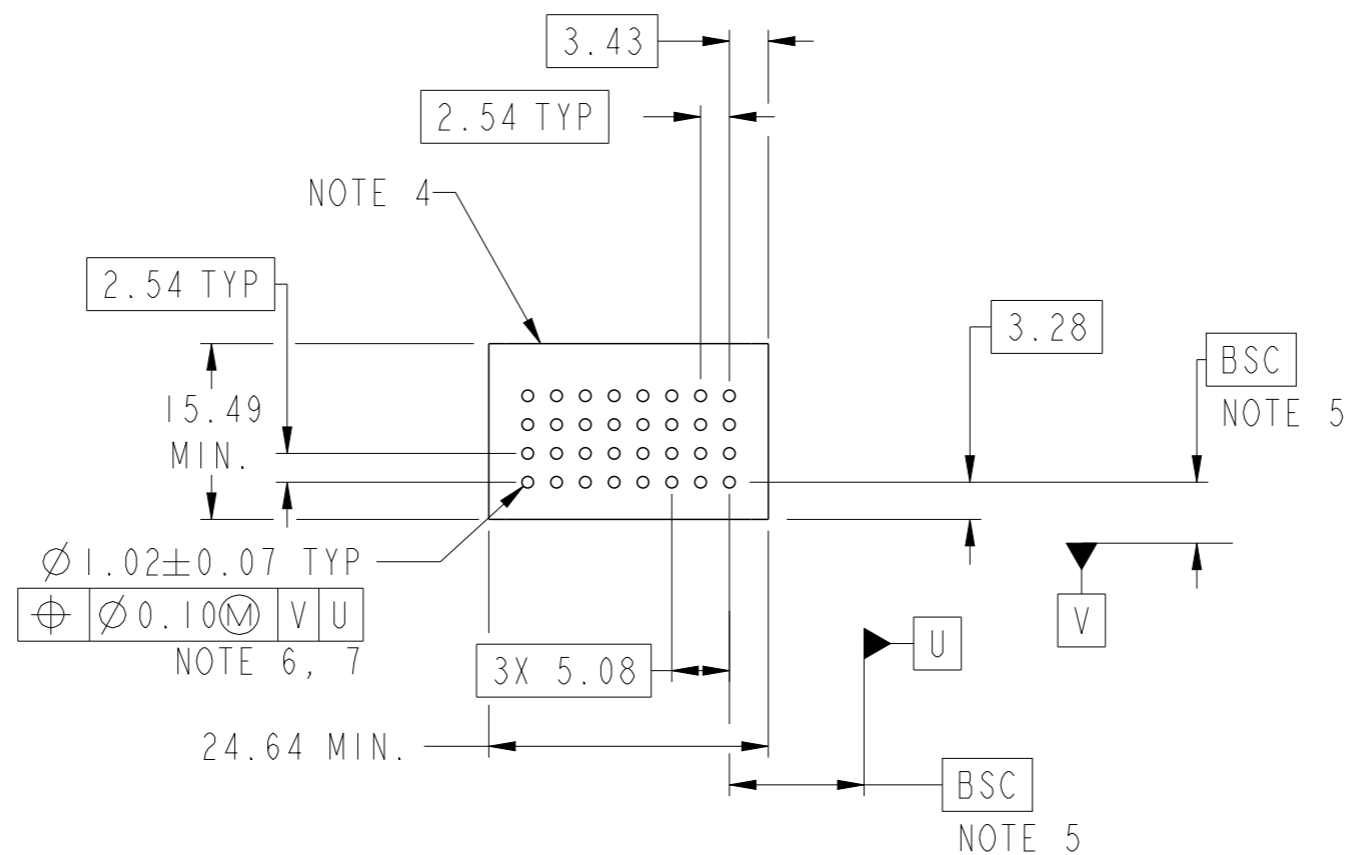
spec ref		dr	Eddy Zeng	2014/04/14	projection	MM	size	A3	scale	3:2	
tolerance std ASME Y14.5		TOLERANCES UNLESS OTHERWISE SPECIFIED			eng	Eddy Zeng	2014/05/06	ecn no			
		chr	Li-He	2014/05/06	product family		PowerBlade+	rel level			
		appr	Pei-Ming Zheng	2014/05/06				Released			
surface ✓	linear	0.X	±0.50		www.fci.com	title	4HP		dwg no	10106139-4000001	rev
		0.XX	±0.25								
		0.XXX	±0.10								
ASME Y14.5	angular	0°	±2°		cat. no.	Product - Customer Drw		sheet 1 of 3			



Copyright FCI.

PRODUCT NO.	ROWS	HIGH POWER					
		E1	P4	P3	P2	P1	E2
10106139-4000001LF	D C B A		HG	HG	HG	HG	

CODE	DESCRIPTION
HG	STD HIGH POWER CONTACT (3.43)



dr	Eddy Zeng	2014/04/14	projection	MM	size	A3	scale	3:2
eng	Eddy Zeng	2014/05/06			ecn no		-	
chr	Li-He	2014/05/06			rel level		Released	
appr	Pei-Ming Zheng	2014/05/06	product family		PowerBlade+			
			title 4HP VT PF RECEPTACLE		dwg no 10106139-4000001		rev A	
www.fci.com			cat. no.		Product - Customer Drw		sheet 2 of 3	



Copyright FCI.

A

A

NOTES:

- 1) "FCI", PART NUMBER AND DATE CODE TO BE MARKED ON THIS SURFACE.
THE MARK CAN BE OMITTED IF THERE IS NOT ENOUGH SPACE ON THIS SURFACE.
- 2) MATERIALS:
-HOUSING - GLASS FILLED WITH HIGH TEMP THERMOPLASTIC, UL94V-0.
-SIGNAL CONTACT - COPPER ALLOY.
-POWER CONTACT - HIGH CONDUCTIVITY COPPER ALLOY.
- 3) PLATING SPECIFICATION REFER TO FCI 10116351
- 4) DENOTES CONNECTOR KEEP OUT ZONE.
- 5) DATUM AND BASIC DIMENIONS WERE ESTABLISHED BY CUSTOMER.
- 6) ALL HOLE DIAMETERS ARE FINISHED HOLE SIZES.
- 7) 1.15 ± 0.025 MM DRILLED HOLE PLATED WITH 0.00762 MM MIN Sn
OVER $0.0254-0.0762$ MM Cu PLATING TO ACHIEVE A 1.02 ± 0.07 MM HOLE.
- 8) PRODUCT SPECIFICATION REFER TO FCI GS-12-658.
APPLICATION SPECIFICATION REFER TO FCI GS-20-141.
PRODUCT PACKAGED IN TRAYS, REFER TO FCI GS-14-1502.
- 9) THE VOID CORING IN BETWEEN POWER MODULES, SIGNAL
MODULES AND END MODULES ARE OPTIONAL AND THE SHAPE
MAY BE DIFFERENT FOR OPTIMIZE THE MOLDING PROCESS. THE
VOID CORING WILL NOT EFFECT TO PRODUCT FUNCTION.

B

B

C

C

D

D



Copyright FCI.

dr	Eddy Zeng	2014/04/14	projection 	MM 	size	A3	scale	1:1		
eng	Eddy Zeng	2014/05/06			ecn no	-				
chr	Li-He	2014/05/06			rel level	Released				
appr	Pei-Ming Zheng	2014/05/06	product family	PowerBlade+						
		title		4HP		dwg no		10106139-4000001	rev	A
www.fci.com		cat. no.		Product - Customer Drw		sheet 3 of 3				