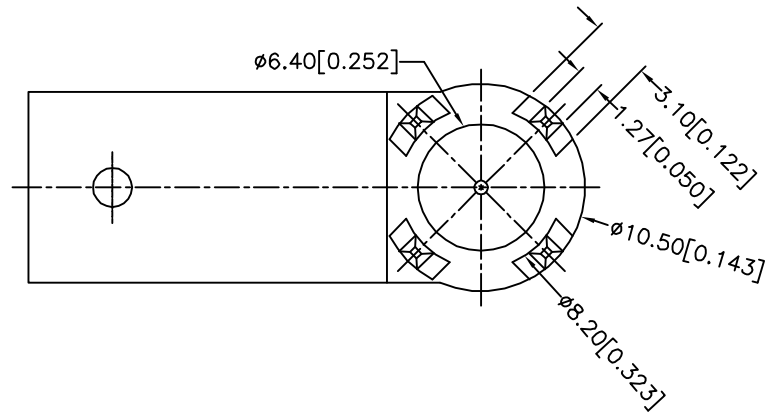
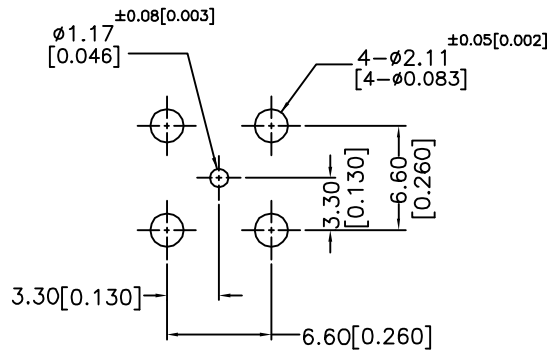
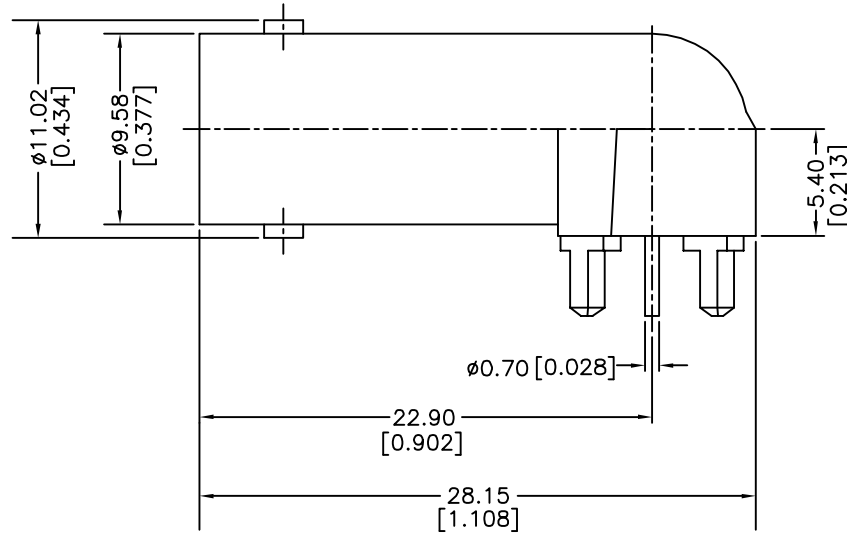
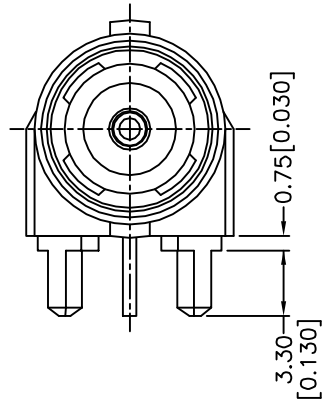


REV.	DATE	ECR NO.	DESCRIPTION
A	11/25/09	-----	RELEASE TO MFG.



PCB MOUNTING HOLE

DESCRIPTION	MATERIAL	FINISH	QTY
5 INSULATOR C	TEFLON	NATURAL	1
4 CONTACT PIN	PHOSPHOR BRONZE	GOLD	1
3 INSULATOR B	DERLIN	NATURAL	1
2 INSULATOR A	DERLIN	NATURAL	1
1 BODY	ZINC	NICKEL	1

UNLESS OTHERWISE SPECIFIED DIMENSIONS ARE IN MILLIMETERS. DIMENSIONS IN [] ARE IN INCHES AND FOR CUSTOMER REFERENCE ONLY.

UNLESS OTHERWISE SPECIFIED TOLERANCES FOR MILLIMETERS ARE:
0.5 - 8mm ± 0.20mm
8 - 30mm ± 0.40mm
30 - 120mm ± 0.50mm

UNLESS OTHERWISE SPECIFIED TOLERANCES FOR INCHES ARE:
.020 - .315 = ± 0.007"
.315 - 1.180 = ± 0.015"
1.180 - 4.724 = ± 0.020"

DO NOT SCALE DRAWING

APPROVALS	DATE
DRAWN CLEMENT	11/25/09
CHECKED	
ISSUED	
SHEET 1 OF 1	
CAD FILE	C:/112/112762.DWG

AMPHENOL CONNEX

PART DESCRIPTION
BNC R/A P.C. JACK,75 OHMS

PART NO.
112762

DWG. NO.	112762.DWG	REV.	A	SIZE	A	SCALE	NA
----------	------------	------	---	------	---	-------	----