

Common mode Noise Filters

Type: **EXCX4CZ**



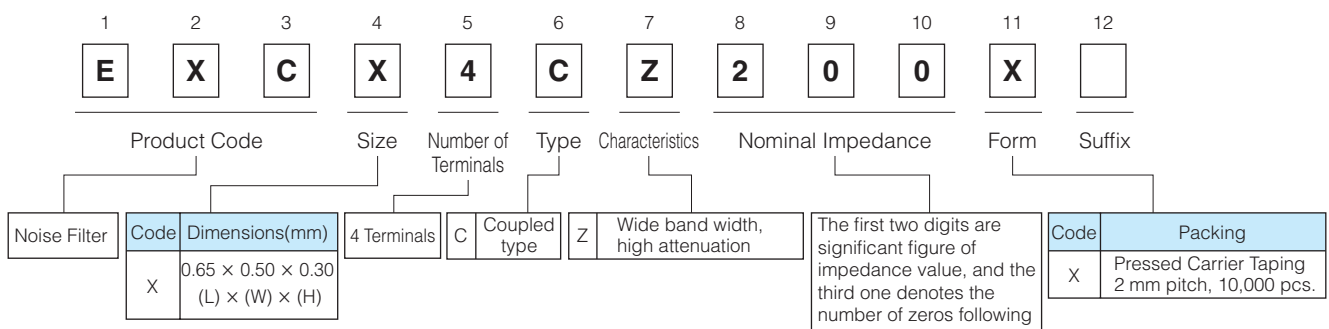
Features

- Small and thin (L 0.65 mm×W 0.50 mm×H 0.30 mm)
- High-common mode attenuation at 2.4GHz, Suitable for noise suppression at Wi-Fi band
- Strong multilayer/sintered structure, excellent reflow resistance and high mounting reliability
- Lead, halogen and antimony-free
- RoHS compliant

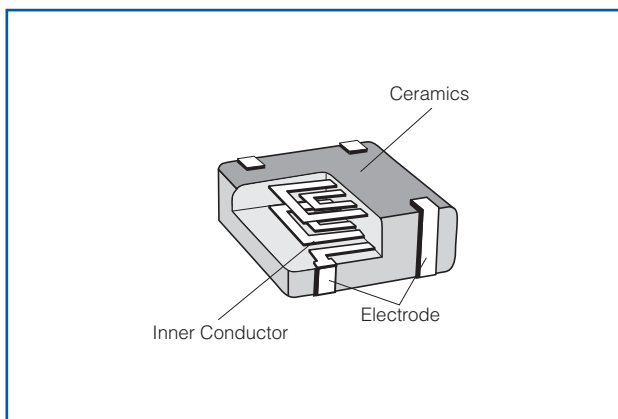
Recommended Applications

- Smartphones, Tablet PCs and DSC
- Suppresses noise radiation to Wi-Fi Equipment

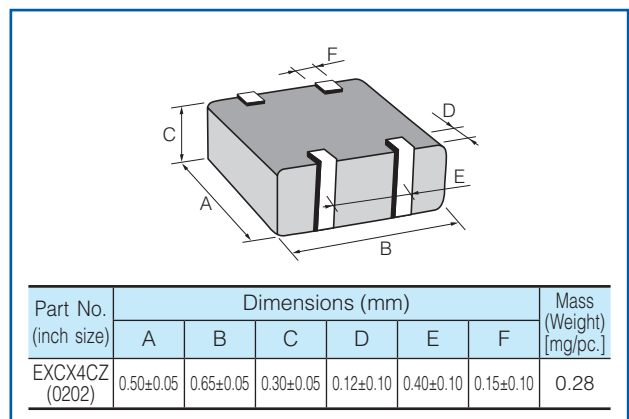
Explanation of Part Numbers



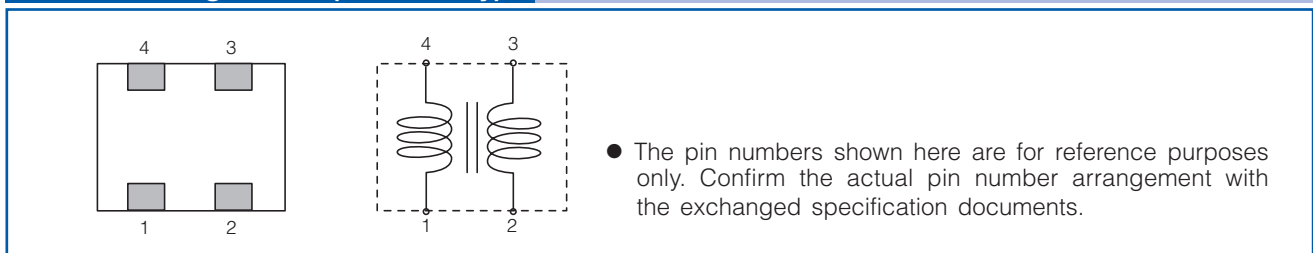
Construction



Dimensions in mm (not to scale)



Circuit Configuration (No Polarity)



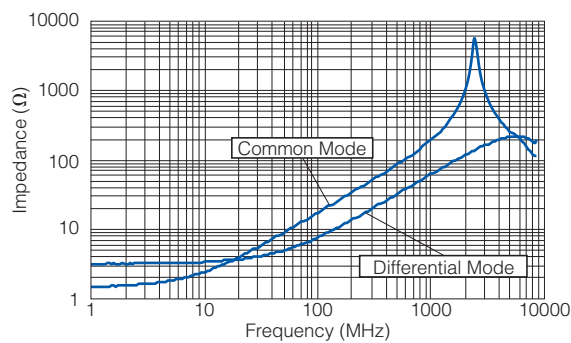
Ratings

Part Number	Impedance (Ω) at 100 MHz	Rated Voltage (V DC)	Rated Current (mA DC)	DC Resistance (Ω)max.
	Common Mode			
EXCX4CZ200X	20 Ω ±30 %	10	100	3.0±30 %

- Category Temperature Range -40 °C to +85 °C

Impedance Characteristics (Typical)

- EXCX4CZ200X

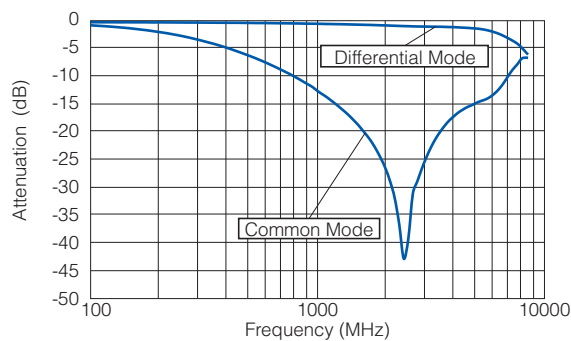


- Measurement Circuit



Attenuation Characteristics (Typical)

- EXCX4CZ200X



- As for Packaging Methods, Land Pattern, Soldering Conditions and Safety Precautions, Please see Data Files