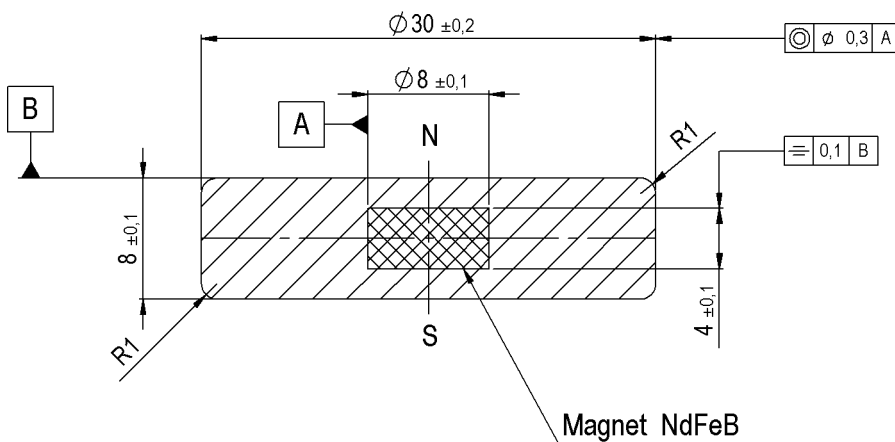
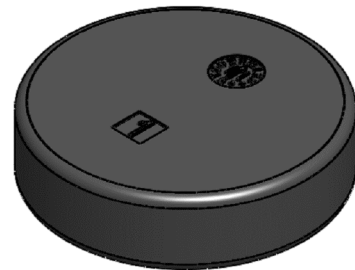
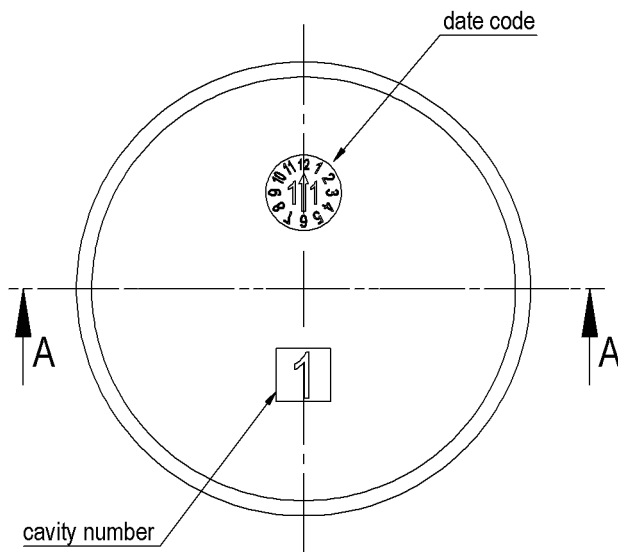


**Dimensions mm[inch]**  
 tolerances acc. to DIN ISO 2768-m  
 Toleranzen gem. DIN ISO 2768-m

**Isometric**  
 Scale 2:1  
 Maßstab 2:1





Europe: +49 / 7731 8399 0 | Email: info@meder.com  
 USA: +1 / 508 295 0771 | Email: salesusa@meder.com  
 Asia: +852 / 2955 1682 | Email: salesasia@meder.com

Item No.:  
**2500000026**  
 Item:  
**MS06/2-PP**  
**floating magnet = 4003068640**

| Special Product Data | Conditions | Min  | Typ | Max | Unit |
|----------------------|------------|--|-----|-----|------|
| Material of float    |            | PP HF700SA, colour RAL 9004 (signal black) |     |     |      |
| Float weight         |            | 3,8  | 4,2 | 4,7 | g    |

| Environmental data | Conditions   | Min  | Typ | Max | Unit |
|--------------------|--------------|------|-----|-----|------|
| Safety class       | DIN EN 60529 | IP68 |     |     |      |

| Mag. values DIN IEC 60404-8- | Conditions                | Min                        | Typ   | Max | Unit      |
|------------------------------|---------------------------|----------------------------|-------|-----|-----------|
| Energy product (B x H) max.  |                           | 263                        | 287   |     | kJ/cu m   |
| Remanence Br                 |                           | 1.170                      | 1.240 |     | mT        |
| Revers. temp. coeff. of Br   |                           |                            | -0,11 |     | %/K       |
| Coercivity HcB               |                           | 876                        | 947   |     | kA/m      |
| Coercivity HcJ               |                           | 1.353                      |       |     | kA/m      |
| Revers. temp. coeff. of HcJ  |                           |                            | -0,58 |     | %/K       |
| Density                      |                           | 7,5                        | 7,6   |     | g/cu cm   |
| Magnetic moment              | inclusive of 5% tolerance |                            | 1,44  |     | E-6 Vs*cm |
| Direction of Magnetization   |                           | axial                      |       |     |           |
| Magnet Material              |                           | NdFeB, N35H, nickel plated |       |     |           |

| General data | Conditions | Min  | Typ | Max | Unit |
|--------------|------------|--|-----|-----|------|
| Remarks      |            | All details according to manufacturers information |     |     |      |

Modifications in the sense of technical progress are reserved

Designed at: 17.03.09    Designed by: WKOVACS  
 Last Change at: 09.06.11    Last Change by: WKOVACS

Approval at: 16.09.09    Approval by: DKUECHLER  
 Approval at: 09.06.11    Approval by: DKUECHLER

Version: 02