

PLEASE CHECK WWW.MOLEX.COM FOR LATEST PART INFORMATION

Part Number: [63806-0600](#)
Status: **Active**
Description: Mini-Mac™ Applicator Rear Feed

Documents:
[RoHS Certificate of Compliance \(PDF\)](#)

General

Product Family	Application Tooling
Series	T1101
Comments	See Tooling Specification (PDF) Above
Function	Crimp
Geographic Area	Global
Level of Automation	Semi-Automatic
More Detailed Tech Information	applicationtooling@molex.com
Product Name	Mini-Mac™
Survey	www.molex.com//review/apptool_survey.html
Tool Type	Mini-Mac Applicator
UPC	884982246225

Material Info

Reference - Drawing Numbers

Application Tooling Documents	ATS-638060600
-------------------------------	---------------

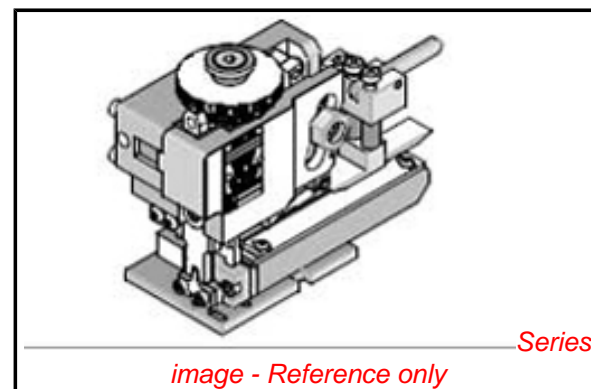


image - Reference only

EU RoHS	China RoHS
----------------	-------------------

Compliance Status

Not Reviewed

REACH SVHC

Not Reviewed

Low-Halogen Status

Not Reviewed

Need more information on product environmental compliance?

Email productcompliance@molex.com
 For a multiple part number RoHS Certificate of Compliance, [click here](#)

Please visit the [Contact Us](#) section for any non-product compliance questions.

Search Parts in this Series

[T1101Series](#)

Use With

[94512](#) Quick Disconnect, High Reliability Terminal (HRT), Female for 0.50-1.00mm² Wire

Application Tooling Description	FAQ Product #
--	----------------------

Quick Disconnect, High Reliability Terminal (HRT), Female for (0.50-1.00mm ²) 18-24 AWG Wire, Accepts 6.35 x 0.81mm Tab , Unplated	0945120100
Quick Disconnect, High Reliability Terminal (HRT), Female for (0.50-1.00mm ²) 18-24 AWG Wire,	0945120101

This document was generated on 03/08/2013

PLEASE CHECK WWW.MOLEX.COM FOR LATEST PART INFORMATION