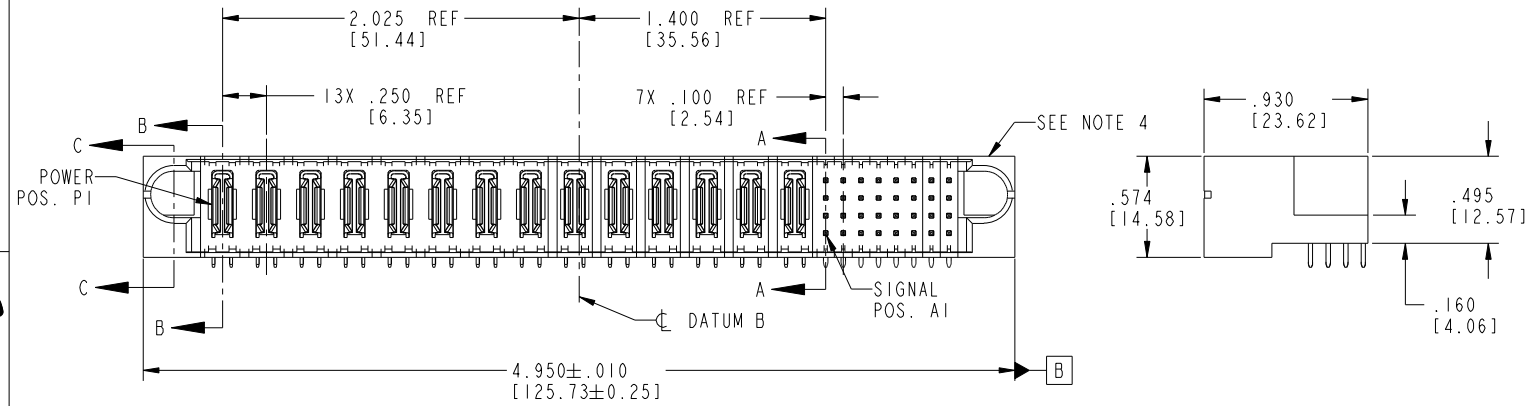


Tous droits strictement réservés. Reproduction ou communication à des tiers interdite sous quelque forme que ce soit sans autorisation écrite du propriétaire. Propriété de c.FCI. Droits de reproduction FCI.



All rights strictly reserved. Reproduction or issue to third parties in any form whatever is not permitted without written authority from the proprietor. Property of FCI. Copyright FCI.

PRODUCT NO. 51732-027 NOTE ③	ROWS D C B A	POWER														SIGNAL								E2	
		E1	P1	P2	P3	P4	P5	P6	P7	P8	P9	P10	P11	P12	P13	P14	1	2	3	4	5	6	7		8



CODE	DIM "M" MATING LENGTH	CONTACT TYPE
G	.220 [5.59]	SIGNAL
H	.220 [5.59]	SIGNAL
R	.270 [6.86]	SIGNAL
S	.270 [6.86]	SIGNAL
T	.270 [6.86]	SIGNAL
U	.270 [6.86]	SIGNAL
PA	N/A [N/A]	POWER

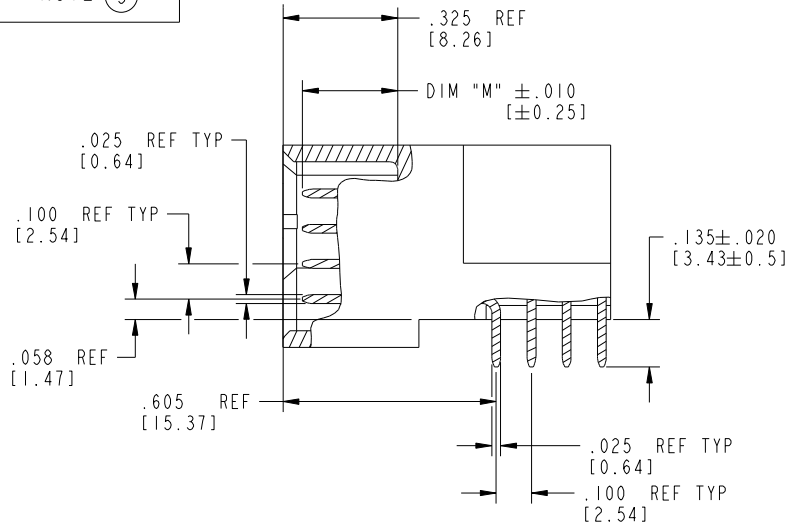
mat'l code				SEE NOTE 2		tolerances unless otherwise specified		CUSTOMER	
ltr	ecn no.	dr	date	linear	.XX±.01/0.X±0.3	projection		COPY	
A	DG05-0220	SW	07/13/05	angles	.XXX±.005/0.XX±0.13	INCH/MM		title	
B	DG05-0554	GuoJM	12/19/05		.XXX±.0020/0.XXX±0.051	scale		14P + 32S	
C	DG08-0253	SH	09/15/08		0°±2°	1:1		RIGHT ANGLE SOLDER HEADER	
				dr	STEVEN WANG	07/13/05		product family	
				enrg	STEVEN WANG	07/13/05		PwrBlade	
				chr	VICTOR LIN	07/13/05		code	
				appd	JOSEPH HSIA	07/13/05		213	
sheet index	revision sheet	C	C	C	C			size	
		1	2	3	4			dwg no	
								A	
								51732-027	
								sheet	
								1 of 4	

Pro/E cage code 22526

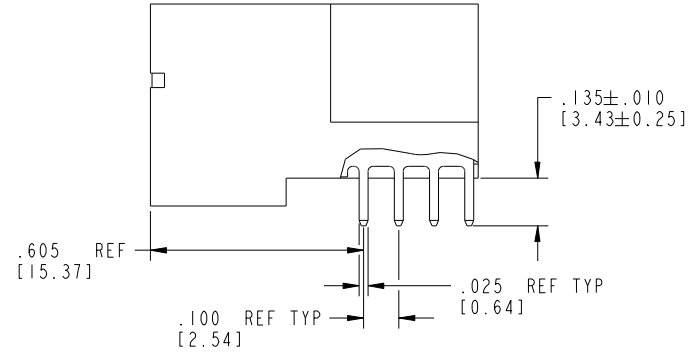
Tous droits strictement réservés. Reproduction ou communication à des tiers interdite sous quelque forme que ce soit sans autorisation écrite du propriétaire. Propriété de c FCI. Droits de reproduction FCI.

All rights strictly reserved. Reproduction or issue to third parties in any form whatever is not permitted without written authority from the proprietor. Property of FCI. Copyright FCI.

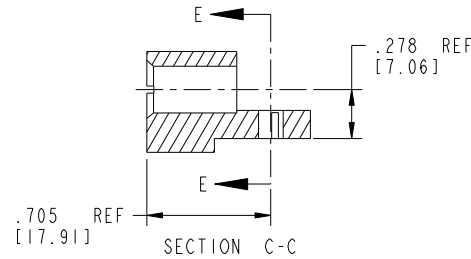
PRODUCT NUMBER
51732-027--
NOTE ③



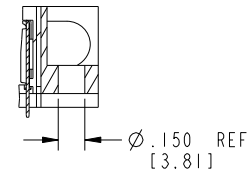
BROKEN-OUT SECTION A-A
SCALE 2:1



BROKEN-OUT SECTION B-B
SCALE 2:1



SECTION C-C



PARTIAL SECTION E-E

mat'l code		SEE NOTE 2		tolerances unless otherwise specified		CUSTOMER		FCI		www.fciconnect.com	
ltr	ecn no.	dr	date	linear	.XX±.01/0.X±0.3	COPY		title			
C					.XXX±.005/0.XX±0.13	projection		14P + 32S			
				angles	.XXX±.0020/0.XXX±0.051			RIGHT ANGLE SOLDER HEADER			
				dr	0°±2°	INCH/MM		product family		PwrBlade	code
				enr	STEVEN WANG 07/13/05	scale		size		dwg no	213
				chr	STEVEN WANG 07/13/05	1:1		A		51732-027	sheet
				appd	VICTOR LIN 07/13/05						2 of 4
					JOSEPH HSIA 07/13/05						
sheet index	revision sheet										

cage code 22526

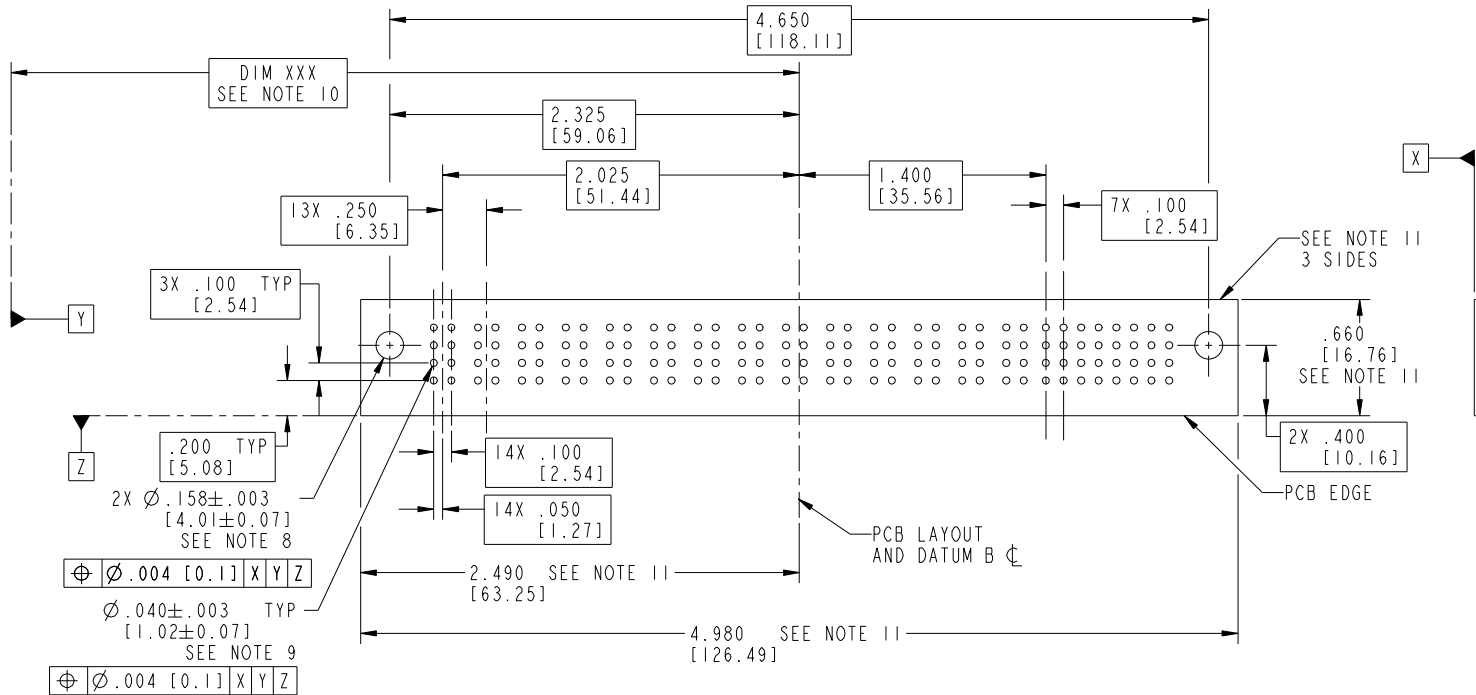
Pro/E

Tous droits strictement réservés. Reproduction ou communication à des tiers interdite sous quelque forme que ce soit sans autorisation écrite du propriétaire. Propriété de c.FCI. Droits de reproduction FCI.



All rights strictly reserved. Reproduction or issue to third parties in any form whatever is not permitted without written authority from the proprietor. Property of FCI. Copyright FCI.

PRODUCT NUMBER
51732-027--
NOTE ③



RECOMMENDED PCB LAYOUT

mat'l code		SEE NOTE 2		tolerances unless otherwise specified		CUSTOMER		FCI		www.fciconnect.com	
ltr	ecn no.	dr	date	linear	.XX±.01/0.X±0.3	COPY		title			
C					.XXX±.005/0.XX±0.13	projection		14P + 32S			
				angles	.XXX±.0020/0.XXX±0.051	INCH/MM		RIGHT ANGLE SOLDER HEADER			
				dr	0°±2°	scale		product family		code	
				enr	STEVEN WANG 07/13/05	1:1		PwrBlade		213	
				chr	STEVEN WANG 07/13/05	A		size		sheet	
				appd	VICTOR LIN 07/13/05	51732-027		dwg no		3 of 4	
					JOSEPH HSIA 07/13/05			cage code		22526	
sheet index	revision sheet										

Pro/E

cage code 22526

Tous droits strictement reserves. Reproduction ou communication a des tiers interdite sous quelque forme que ce soit sans autorisation écrite du propriétaire. Propriete de c FCI. Droits de reproduction FCI.

All rights strictly reserved. Reproduction or issue to third parties in any form whatever is not permitted without written authority from the proprietor. Property of FCI. Copyright FCI.

PRODUCT NUMBER
51732-027_-
NOTE ③

NOTES:

1. DIMENSIONS AND TOLERANCES ARE IN ACCORDANCE WITH ASME Y14.5M, 1994 UNLESS OTHERWISE SPECIFIED.
CONNECTOR NOTES:

② HOUSING MATERIAL: UL 94 V-0 GLASS FILLED
HIGH-TEMP THERMOPLASTIC
POWER CONTACT MATERIAL: COPPER ALLOY
SIGNAL PIN MATERIAL: COPPER ALLOY

3. PLATING:
△ SEE ITEM 1 & 2 IN PRINT 10064183 FOR PLATING SPEC OF 51732-027 AND 51732-027LF RESPECTIVELY

④ MANUFACTURER'S NAME, P/N, AND DATE CODE TO APPEAR ON THIS SURFACE.
5. PRODUCT SPECIFICATION GS-12-149.
APPLICATION SPECIFICATION BUS-20-067.
6. PACKAGED IN TRAYS.

PCB NOTES:

7. ALL HOLE DIAMETERS ARE FINISHED HOLE SIZE.
⑧ MOUNTING HOLES, WHERE APPLICABLE, ARE UNPLATED.
⑨ $\varnothing .0453 \pm .0010$ [1.151 ± 0.025] DRILLED HOLES PLATED WITH $.0003$ [0.008] MIN SnPb OVER $.001$ [0.03] TO $.003$ [0.08] Cu PLATING TO ACHIEVE $\varnothing .040 \pm .003$ [$1.02 \pm .07$] HOLE.
⑩ "DIM XXX" TO BE DETERMINED BY THE CUSTOMER.
⑪ CONNECTOR KEEP-OUT ZONE.

12: A △ SYMBOL WILL BE NEXT TO ANY DIMENSION, VIEW, OR NOTE WHICH HAS BEEN MODIFIED WITH CURRENT DRAWING VERSION

mat'l code		SEE NOTE 2		tolerances unless otherwise specified		CUSTOMER		FCJ		www.fciconnect.com	
ltr	ecn no.	dr	date	linear	.XX±.01/0.X±0.3	COPY		projection		title	
C					.XXX±.005/0.XX±0.13			RIGHT ANGLE		14P + 32S	
				angles	.XXX±.0020/0.XXX±0.051	INCH/MM		product family		code	
				dr	0°±2°	scale		PwrBlade		213	
				enr	STEVEN WANG 07/13/05	1:1		size		sheet	
				chr	STEVEN WANG 07/13/05			dwg no		4 of 4	
				appd	VICTOR LIN 07/13/05			A			
					JOSEPH HSIA 07/13/05			51732-027			
sheet index	revision sheet										

cage code 22526

Pro/E