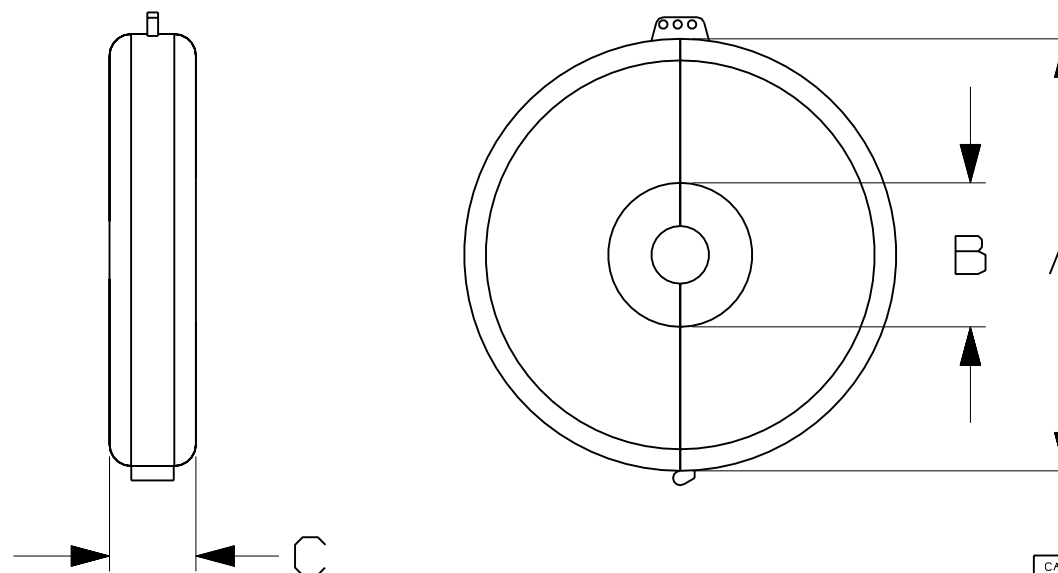
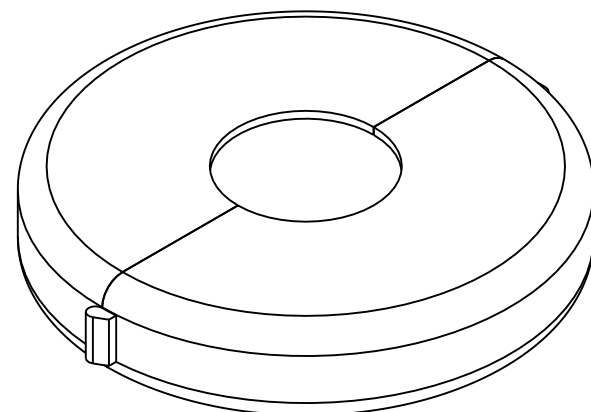


PART NUMBER	COLOR	VALVE HANDLE SIZE in. (mm)	DIM. "A" in. [mm]	DIM "B" in. [mm]	DIM "C" in. [mm]	STANDARD PKG.
PSL-V9	RED	6.5-10.0 [165 to 254]	10.5 [266.7]	3.5 [88.9]	2.25 [57.15]	1
PSL-V13	RED	10.0-13.0 [254 to 330]	14.5 [368.3]	4.0 [101.6]	2.75 [69.85]	1
PSL-V2A	RED	1.0-2.5 [25 to 63.5]	3.5 [89.0]	.75 [19.05]	1.25 [31.8]	1
PSL-V6A	RED	2.5-6.5 [63.5 to 165]	7.0 [177.8]	2.0 [50.8]	1.75 [44.45]	1



SIMILAR TO C10094

- NOTES:
 1. MILLIMETERS SHOWN IN ().
 2. COLOR REQUIREMENT.

REV	DATE	BY	CHK	DESCRIPTION	ECN	R	CUST	SUP
0	3-29-06	RVU		ISSUE JAPAN CUSTOMER DWG.	4429	R		

CAD FILENAME/LAYERS I00619X1_C10401_JAPAN_PSL-V_00.prt

PANDUIT CORP TINLEY PARK, ILLINOIS

PSL-V*** GATE VALVE LOCKOUTS

UNLESS OTHERWISE SPECIFIED, DIMENSIONAL TOLERANCES ARE:
 (.X) ± .032 (.XXX) ± .010
 (.XX) ± .015 ANGLES ±

UNLESS OTHERWISE SPECIFIED, ALL DIMENSIONS ARE GIVEN IN INCHES, THIRD ANGLE PROJECTION

DRAWN BY: RVU MAT'L: POLYPROPYLENE, RED PANTONE PMS 186
 DATE: 9-9-03
 SCALE: NTS

DRAWING NO. C10401 DWG SIZE B