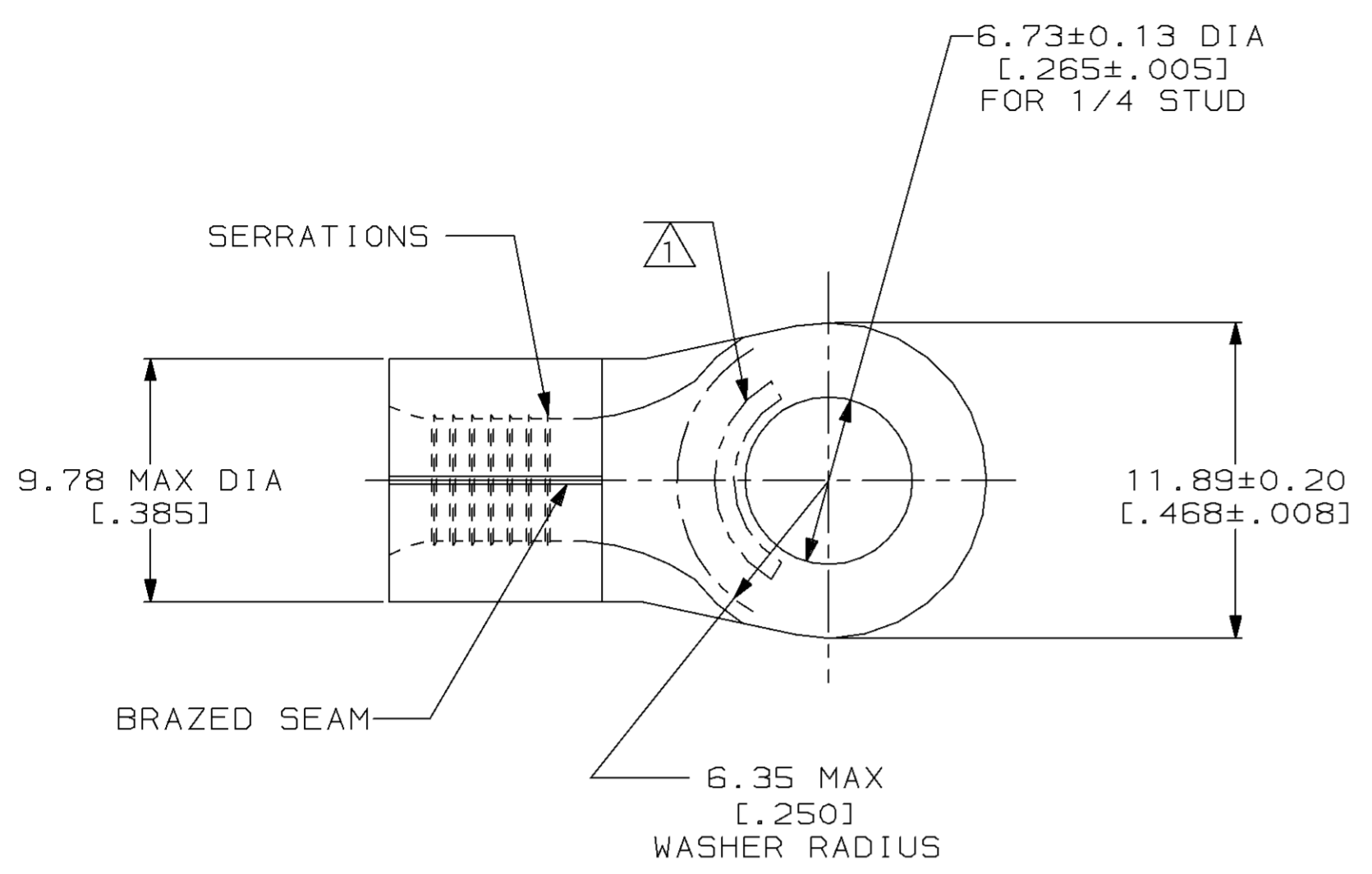


THIS DRAWING IS UNPUBLISHED. RELEASED FOR PUBLICATION ,19 .  
 © COPYRIGHT 19 BY AMP INCORPORATED. ALL INTERNATIONAL RIGHTS RESERVED.

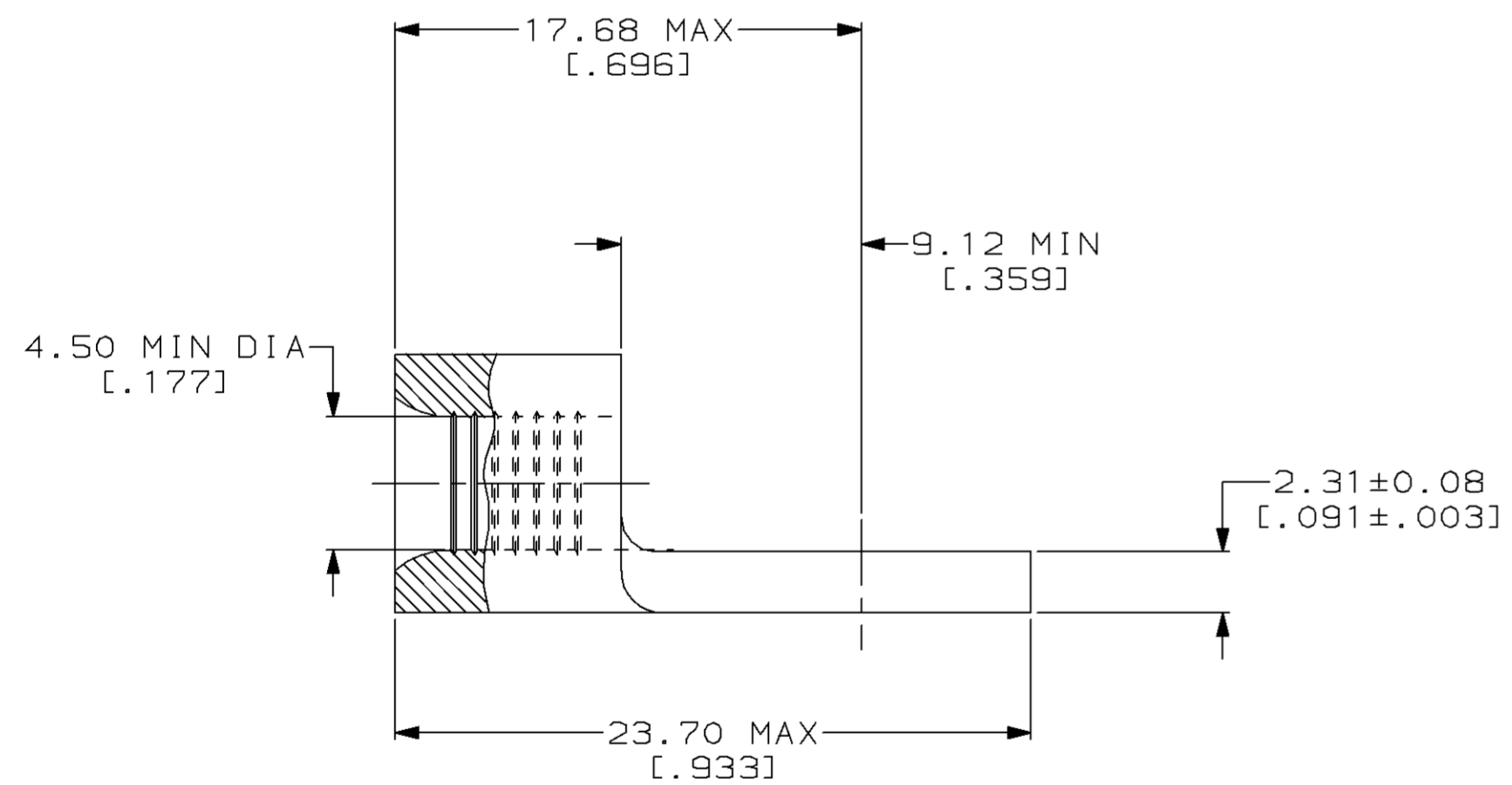
LOC		DIST		P		F		REVISIONS		DATE	APPD
G	14					ZONE	LTR	DESCRIPTION			
							C	REV & REDRAWN PER 0720-0040-93	3-22-93	APP	DAP

**METRIC**  
 DIMENSIONS LISTED IN mm [ INCHES ]



<b>AMP</b> WIRE RANGE	<b>UL</b> Listed
8HD AWG SOLID OR STRANDED	8HD AWG STRANDED
<b>SR</b> LR7189 Certified	MILITARY P/N AND CLASS
8HD AWG SOLID OR STRANDED	NOT APPLICABLE

1 STAMP AMP 8HDW\* APPROX AS SHOWN



332042

B

332042  
 PART NO

AMP INCORPORATED  
 CUSTOMER SERVICE SYSTEMS

MAX RECOMMENDED OPERATING TEMPERATURE:  
 170°C MAX

DO NOT SCALE PRINT.  
 UNLESS SPECIFIED  
 DIMENSIONS IN mm [INCHES]  
 TOLERANCES ON:  
 2 PLC DEC ± -  
 3 PLC DEC ± -  
 ANGLES ± -

DR 3-22-93  
 TA BRINKMAN  
 CHK 3-22-93  
 DA PATTERSON

**AMP** AMP Incorporated  
 Harrisburg, PA 17105-3608

FOR ADDITIONAL  
 PRODUCT INFORMATION OR  
 COPIES OF DRAWINGS  
 AND TECHNICAL DOCUMENTS

PRODUCT INFORMATION CENTER  
 1-800-522-6752

VOLTAGE RATING:  
 NOT APPLICABLE

MATERIAL  
 COPPER PER  
 ASTM B-152  
 ANNEALED

APPD 3-22-93  
 DE MILLER  
 APPD 3-22-93  
 JL MECKLEY

NAME  
 TERMINAL, RING TONGUE,  
 HEAVY DUTY, SOLISTRAND™

FOR APPLICATION  
 TOOLING INFORMATION

TOOLING ASSISTANCE CENTER  
 1-800-722-1111

WIRE CROSS SECTIONAL AREA RANGE:  
 6.64-10.5MM² [13,100-20,800] CIR MILS  
 SOLID OR STRANDED

FINISH  
 TIN PLATE  
 0.00254[.000100] MIN  
 THK PER MIL-T-10727

PRODUCT SPEC  
 -  
 APPLICATION SPEC  
 -

SIZE  
 CAGE CODE  
 DRAWING NO  
 SCALE 4:1  
 00779  
 C=332042  
 SHEET 1 OF 1

FOR ORDER ENTRY  
 1-800-526-5142

THIS DRAWING IS A CONTROLLED DOCUMENT FOR  
 AMP INCORPORATED. IT IS SUBJECT TO CHANGE  
 AND THE CONTROLLING ENGINEERING ORGANIZATION  
 SHOULD BE CONTACTED FOR THE LATEST REVISION.