

**ebm-papst St. Georgen GmbH & Co. KG**

Hermann-Papst-Str. 1
 D-78112 St. Georgen
 Phone +49 (0) 7724 81-0
 Fax +49 (0) 7724 81-1309
 info2@de.ebmpapst.com
 www.ebmpapst.com

Nominal data

| Type | 514 F | |
|--------------------------|-------------------|--------------|
| Nominal voltage | VDC | 24 |
| Nominal voltage range | VDC | 21.6 .. 26.4 |
| Speed (rpm) | min ⁻¹ | 5000 |
| Power consumption | W | 0.9 |
| Min. ambient temperature | °C | -20 |
| Max. ambient temperature | °C | 70 |
| Air flow | m ³ /h | 20 |
| Sound power level | B | 4.5 |
| Sound pressure level | dB(A) | 30 |

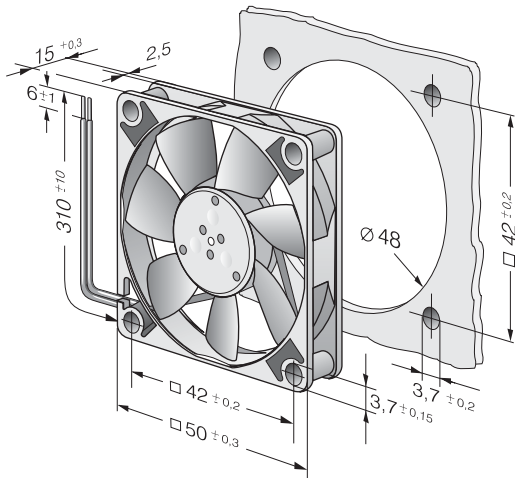
ml = Max. load · me = Max. efficiency · fa = Free air · cs = Customer specification · ce = Customer equipment
 Subject to change



Technical description

| | |
|----------------------------------|--|
| Weight | 0.027 kg |
| Dimensions | 50 x 50 x 15 mm |
| Impeller material | Glass-fiber reinforced PA plastic |
| Housing material | Glass-fiber reinforced PBT plastic |
| Airflow direction | Exhaust over struts |
| Direction of rotation | Counterclockwise, viewed toward rotor |
| Storage | Sintec sleeve bearing |
| Service life L10 at 20 °C | 50000 h |
| Service life L10 at 60 °C | 20000 h |
| Cable | Leads AWG 28, TR 64, stripped and tin-plated. |
| Motor protection | Protection against reverse polarity and blocked rotor. |
| Locked-rotor protection | Impedance protection |
| Approval | VDE, CSA, UL, CE |
| Option | Possible custom designs: Speed signal Go / No-go alarm PWM control input Moisture protection |

Product drawing



Curves: Air performance

