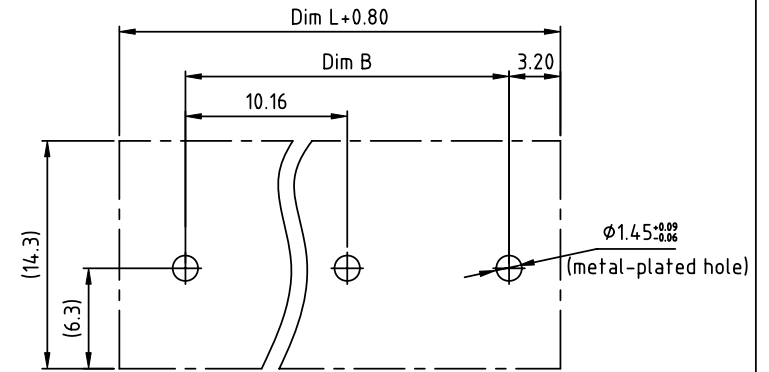
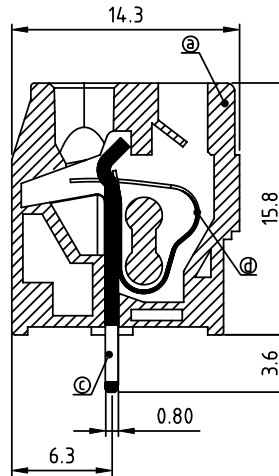
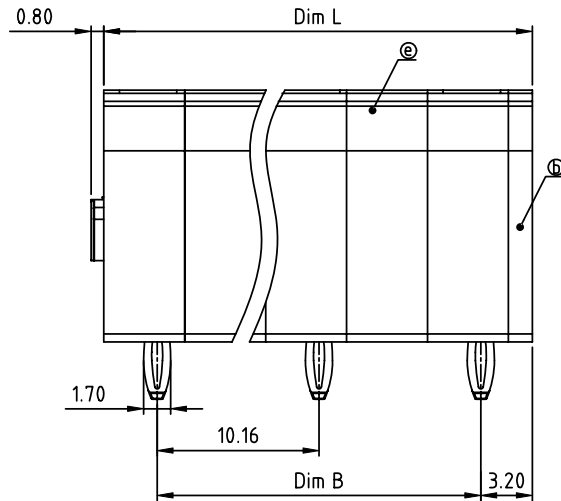
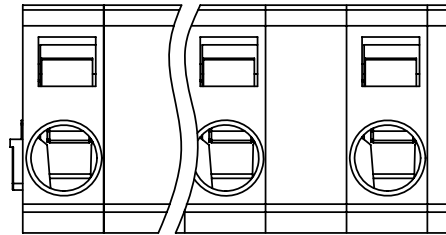


PRODUCT NUMBER	PITCH
HMxx60x100JOG	10.16mm



RECOMMENDED P.C.B LAYOUT  
TOP VIEW

Material:

- Item①Insulator body:Thermoplastic (UL94V-0)
- Item②Insulating cover:Thermoplastic( UL94V-0 )
- Item③Contact pin: Brass.Tin plated
- Item④Wire guard: Stainless steel
- Item⑤Pad board:Thermoplastic( UL94V-0 )

Electrical:

- Voltage rating: 250V
- Current rating: 8A
- Wire range:
- Solid wire(AWG): 12-28
- Stranded wire(AWG): 12-28
- Wire strip length: 8-9mm
- Withstanding Voltage: 1.5KV
- Operating temperature: -40°C to +115°C
- Safety Approval:

N=Number of poles  
Dim L=(N-1)×10.16+6.58  
Dim B=(N-1)×10.16

Poles	Dim L	Dim B
2-4p	±0.20	±0.15
5-7p	±0.30	±0.25
8-10p	±0.40	±0.35
11-12p	±0.45	±0.40

PART NO.: HM xx 60 x 100JO G

No. of poles	Color	RoHS compliant
0	Black (RAL9005)	(lead<4%) In copper Alloy
02 2 poles	Red (RAL3001/D)	
03 3 poles	Orange(RAL2011/P)	
...	Yellow(RAL1018/A)	
...	Green(RAL6018/T)	
12 12 poles	Blue (RAL5015/A)	
	8 Grey(RAL7004/P)	
	9 White(RAL1102)	
	C Multiple colors	

mat'l. code		surface ASME Y14.5	tolerance ASME Y14.5	projection	product family
ltr ecn no dr date		tolerances unless otherwise specified			TERMINAL BLOCK
		angles	X.±0.5	MM	title
		fil	X.X±0.3	scale	TERMINAL BLOCK
		X*±1*	X.XX±0.1		SPRING CLAMP, 90D WIRE INLET, PRESS FIT
		dr	EVIN ZHONG 052914		dwg no
		enr	EVIN ZHONG 052914		sheet 1 of 1
		chr	HANKE FENG 052914		size
		appd	SHI JUN 052914		A4
sheet index	revision sheet	A			type
	1				CUSTOMER Drawing