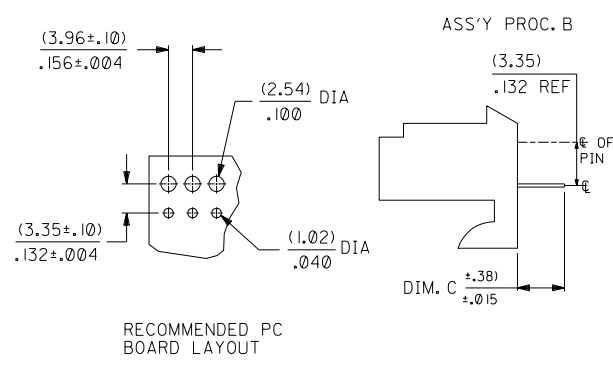


- NOTES:
1. TERMINALS MUST CONFORM TO SOLDERABILITY SPEC. ES-152.
  2. PARTS CONFORM TO PRODUCT SPEC 08-50.
  3. HOUSING MATERIAL: NYLON, UL LISTED
  4. "\*" PRECEDING ENG. NO. IN CHARTS DESIGNATES STANDARD PRODUCT.
  5. TERMINAL TAIL CENTERLINES ARE TO BE WITHIN (.30)/.012 OF EACH OTHER.
  6. FOR KINKED PIN INFORMATION SEE SMES-42329-\*\*\*.



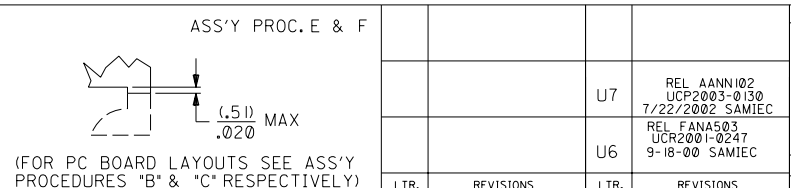
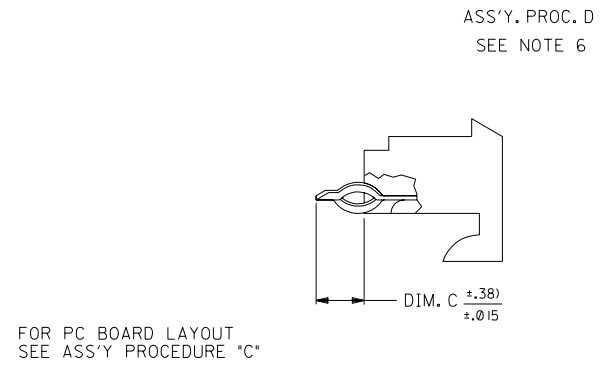
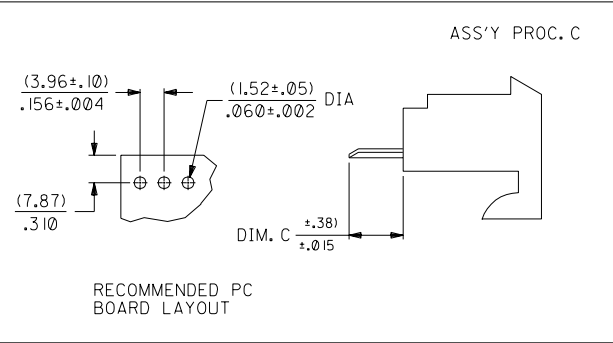
A - 2145 - \* \* N \* \* \* - \*  
 VOID LOCATION  
 ASS'Y. PROCEDURE  
 A=RIGHT ANGLE  
 B=BOTTOM ENTRY  
 C=TOP ENTRY  
 D=TOP ENTRY WITH KINKED TAIL  
 E=BOTTOM ENTRY WITH HOOKS CUT OFF  
 F=TOP ENTRY WITH HOOKS CUT OFF  
 PACKAGING CODE  
 BLANK=BULK PACK  
 A=TUBE PACK PER PK-40873-0026

PLATING  
 (102) 200 M.I. MIN TIN OVER 100 M.I. MIN COPPER  
 (587) SELECT GOLD 15 M.I. MIN  
 SELECT TIN-LEAD 75 M.I. MIN. OVER  
 50 M.I. MIN NICKEL

- HOUSING NO.
- A=2145-N-AN 94V-2 NATURAL WITH RAMPES AND HOOKS
  - B=2145-NBK-AN 94V-2 DYED BLACK WITH RAMPES AND HOOKS
  - C=2145-A-AN 94V-0 NATURAL WITH RAMPES AND HOOKS
  - G=2145-N-CN 94V-2 NATURAL WITH HOOKS ONLY
  - H=2145-NGN-AN 94V-2 DYED GREEN WITH RAMPES AND HOOKS
  - J=2145-NYW-AN 94V-2 DYED YELLOW WITH RAMPES AND HOOKS
  - K=2145-NRD-AN 94V-2 DYED RED WITH RAMPES AND HOOKS
  - L=2145-N-AN-5 94V-2 NATURAL W/ RAMPES AND HOOKS MOLDED IN VOIDS

- TERMINAL NO.
- A=2144-AA-A1AA(+)B (BRASS)
  - B=2144-BA-A1AA(+)B (PHOS BRONZE)
  - C=2144-AA-A2AA(+)B (BRASS)
  - D=2144-BA-A2AA(+)B (PHOS BRONZE)
  - E=6298-A(+) (PHOS BRONZE) LOW FORCE
  - H=2188-(\*) (BRASS)
  - J=2188-(\*) (BRASS)
  - K=4244-(\*) (BRASS)
  - L=6298-(\*) (PHOS BRONZE)
  - M=2144-BA-B1AA(+)B (PHOS BRONZE) LOW FORCE
  - N=4244-A(+) (PHOS BRONZE)

NO. OF CKTS.	DIM. A	DIM. B	KINK PIN LOCATION (ASSY. PROC. D ONLY)
2	( 3.96 ± .13 ) .156 ± .005	( 7.82 ) .308	N/A
3	( 7.92 ± .13 ) .312 ± .005	( 11.79 ) .464	N/A
4	( 11.89 ± .13 ) .468 ± .005	( 15.75 ) .620	1, 2 3, 4
5	( 15.85 ± .13 ) .624 ± .005	( 19.71 ) .776	2, 3 4, 5
6	( 19.81 ± .13 ) .780 ± .005	( 23.67 ) .932	2, 3 4, 5
7	( 23.77 ± .25 ) .936 ± .010	( 27.64 ) 1.088	2, 3 5, 6
8	( 27.74 ± .25 ) 1.092 ± .010	( 31.60 ) 1.244	2, 3 6, 7
9	( 31.70 ± .25 ) 1.248 ± .010	( 35.56 ) 1.400	2, 3 7, 8
10	( 35.66 ± .25 ) 1.404 ± .010	( 39.52 ) 1.556	2, 3 8, 9
11	( 39.62 ± .25 ) 1.560 ± .010	( 43.48 ) 1.712	2, 3 9, 10
12	( 43.59 ± .25 ) 1.716 ± .010	( 47.45 ) 1.868	2, 3 10, 11
13	( 47.55 ± .25 ) 1.872 ± .010	( 51.41 ) 2.024	2, 3 11, 12
14	( 51.51 ± .36 ) 2.028 ± .014	( 55.37 ) 2.180	2, 3 12, 13
15	( 55.47 ± .36 ) 2.184 ± .014	( 59.33 ) 2.336	2, 3 13, 14
16	( 59.44 ± .36 ) 2.340 ± .014	( 63.30 ) 2.492	2, 3 14, 15



DIMENSIONS SHOWN (METRIC) INCH UNLESS OTHERWISE SPECIFIED TOLERANCES: ANGULAR ± 1/2°

INCH	METRIC
3 PLACE ± .010	---
2 PLACE ± .014	± 0.25
1 PLACE ---	± 0.36

DRAFT WHERE APPLICABLE MUST REMAIN WITHIN DIMENSIONS

DRWG. PEREZ-ARGUETA BY LENZ SCALE

CHK'D. PATEL

FILE NAME S2145X1

TITLE HOUSING ASS'Y, P.C. TAIL (3.96)/.156 C 2145 SERIES DRAWING

MOLEX INCORPORATED U.S.A. 1 OF 20 7 / 9 / 87

SEE CHART SDA-2145

THIS DRAWING CONTAINS INFORMATION THAT IS PROPRIETARY TO MOLEX INC. AND SHOULD NOT BE USED WITHOUT WRITTEN PERMISSION.

2145

20	U
19	T
18	U7
17	M
16	T6
15	T
14	T2
13	U6
12	U5
11	R3
10	U
9	T
8	T
7	U3
6	U
5	U
4	U
3	U
2	U
1	U7

MFG. SH. REV.

	13	12	11	10	9	8	7	6	2145	4	3	2	1		
J	ENG. NO.		HOUSING NO.		TERMINAL NO.		DIM. C		EDP ON SHT/COL						J
	A-2145-AANA(102)-*	2145-N-AN	2144-AA-AIAA-102B	(3.68) / .145	7 / 1										
	A-2145-AANA(122)-*	2145-N-AN	2144-AA-AIAA-122B	(3.68) / .145	7 / 2										
	A-2145-AANA(505)-*	2145-N-AN	2144-AA-AIAA-505B	(3.68) / .145	7 / 3										
	A-2145-AANA(507)-*	2145-N-AN	2144-AA-AIAA-507B	(3.68) / .145	7 / 4										
I	A-2145-AANB(558)-*	2145-N-AN	2144-BA-AIAA-558B	(3.68) / .145	8 / 1										I
	A-2145-AANA(P913)-*	2145-N-AN	2144-AA-AIAA-P913B	(3.68) / .145	8 / 2										
	A-2145-ABNA(122)-*	2145-NBK-AN	2144-AA-AIAA-122B	(3.68) / .145	8 / 3										
	A-2145-ABNA(P913)-*	2145-NBK-AN	2144-AA-AIAA-P913B	(3.68) / .145	8 / 4										
	A-2145-AANA(587)-*	2145-N-AN	2144-AA-AIAA-587B	(3.68) / .145	9 / 1										
H	A-2145-AGNA(P913)-*	2145-N-CN	2144-AA-AIAA-587B	(3.68) / .145	9 / 2										H
	A-2145-BANH(102)-*	2145-N-AN	2188-(102)	(4.06) / .160	9 / 3										
	A-2145-BANH(122)-*	2145-N-AN	2188-(122)	(4.06) / .160	9 / 4										
	A-2145-BANL(P913)-*	2145-N-AN	6298-(P913)	(4.06) / .160	10 / 1										
	A-2145-BANL(565)-*	2145-N-AN	6298-(565)	(4.06) / .160	10 / 2										
	A-2145-BBNH(122)-*	2145-NBK-AN	2188-(122)	(4.06) / .160	10 / 3										
G	A-2145-CANA(102)-*	2145-N-AN	2144-AA-AIAA-102B	(3.05) / .120	10 / 4										G
	A-2145-CANA(122)-*	2145-N-AN	2144-AA-AIAA-122B	(3.05) / .120	11 / 1										
	A-2145-CANB(565)-*	2145-N-AN	2144-BA-AIAA-565B	(3.05) / .120	11 / 2										
	A-2145-CANC(P913)-*	2145-N-AN	2144-AA-A2AA-P913B	(4.80) / .189	11 / 3										
	A-2145-FGNA(587)-*	2145-N-CN	2144-AA-AIAA-587B	(3.05) / .120	11 / 4										
F	A-2145-FANA(P913)-*	2145-N-AN	2144-AA-AIAA-P913B	(3.05) / .120	12 / 1										F
	A-2145-DANC(P913)-*	2145-N-AN	2144-AA-A2AA-P913B	(4.80) / .189	12 / 2										
	A-2145-BBNH(P913)-*	2145-NBK-AN	2188-(P913)	(4.06) / .160	12 / 3										
	A-2145-CBNA(P913)-*	2145-NBK-AN	2144-AA-AIAA-P913B	(3.05) / .120	12 / 4										
	A-2145-FGNA(550)-*	2145-N-CN	2144-AA-AIAA-550B	(3.05) / .120	13 / 1										
E	A-2145-BANH(P913)-*	2145-N-AN	2188-(P913)	(4.06) / .160	13 / 2										E
	A-2145-BANH(587)-*	2145-N-AN	2188-(587)	(4.06) / .160	13 / 3										
	A-2145-FANA(503)-*	2145-N-AN	2144-AA-AIAA-503B	(3.05) / .120	13 / 4										
	A-2145-EANH(P913)-*	2145-N-AN	2188-(P913)	(4.06) / .160	14 / 1										
	A-2145-AANK(P913)-*	2145-N-AN	4244-(P913)	(3.68) / .145	14 / 2										
	A-2145-ABNK(P913)-*	2145-NBK-AN	4244-(P913)	(3.68) / .145	14 / 3										
D	A-2145-ABNA(587)-*	2145-NBK-AN	2144-AA-AIAA-587B	(3.68) / .145	14 / 4										D
	A-2145-AANA(109)-*	2145-N-AN	2144-AA-AIAA-109B	(3.68) / .145	15 / 1										
	A-2145-CANA(P913)-*	2145-N-AN	2144-AA-AIAA-P913B	(3.05) / .120	15 / 2										
	A-2145-AANB(122)-*	2145-N-AN	2144-BA-AIAA(122)B	(3.68) / .145	15 / 3										
	A-2145-BANL(122)-*	2145-N-AN	6298-(122)	(4.06) / .160	15 / 4										
C	A-2145-CANB(122)-*	2145-N-AN	2144-BA-AIAA(122)B	(3.05) / .120	16 / 1										C
	A-2145-EGNH(P913)-*	2145-N-CN	2188-(P913)	(4.06) / .160	16 / 2										
	A-2145-FGNA(P913)-*	2145-N-CN	2144-AA-AIAA-P913B	(3.05) / .120	16 / 3										
	A-2145-CANA(587)-*	2145-N-AN	2144-AA-AIAA-587B	(3.05) / .120	16 / 4										
	A-2145-BHNH(122)-*	2145-NGN-AN	2188-(122)	(4.06) / .160	17 / 1										
	A-2145-BJNH(122)-*	2145-NYW-AN	2188-(122)	(4.06) / .160	17 / 2										
B	A-2145-BKNH(122)-*	2145-NRD-AN	2188-(122)	(4.06) / .160	17 / 3										B
				/	/										
A														A	

SEE SHEET I	M1	SEE SHEET I	DIMENSIONS SHOWN (METRIC) INCH		▽ = 0	▽ = 0	REVISE ONLY ON CAD SYSTEM
SEE SHEET I	M	SEE SHEET I	UNLESS OTHERWISE SPECIFIED TOLERANCES ANGULAR ± 1/2°		TITLE HOUSING ASS'Y, P.C. TAIL		
U	SEE SHEET I	K	SEE SHEET I	INCH METRIC		DATE 7 / 9 / 87	
T	SEE SHEET I	J3	SEE SHEET I	3 PLACE ±	2 PLACE ±	MOLEX INCORPORATED	
G	SEE SHEET I	J	SEE SHEET I	1 PLACE ±	±	SHEET NO. 5	
R	SEE SHEET I	H	SEE SHEET I	DRAFT WHERE APPLICABLE MUST REMAIN WITHIN DIMENSIONS			
M3	SEE SHEET I	G1	SEE SHEET I	DRWG. PEREZ; - ENK'D. PATEL			
LTR.	REVISIONS	LTR.	REVISIONS	PART NO. SEE CHART			
				DRWG. NO. SDA-2145			
				FILE NAME S2145X5			
				THIS DRAWING CONTAINS INFORMATION THAT IS PROPRIETARY TO MOLEX INC. AND SHOULD NOT BE USED WITHOUT WRITTEN PERMISSION			
				DIN. SIZE KK C			

2145

A-2145-AAANA(102)-*			A-2145-AAANA(122)-*			A-2145-AAANA(505)-*			A-2145-AAANA(507)-*		
PART NO.	ENG. NO(SUFFIX ONLY)	VOID CKT.	PART NO.	ENG. NO(SUFFIX ONLY)	VOID CKT.	PART NO.	ENG. NO(SUFFIX ONLY)	VOID CKT.	PART NO.	ENG. NO(SUFFIX ONLY)	VOID CKT.
09-52-1021	-AA2A(102)		09-86-3021	-AA2A(122)			-AA2A(505)		09-62-3029	-AA2A(507)	
09-52-1031	-AA3A(102)		09-86-3031	-AA3A(122)		09-62-4031	-AA3A(505)		09-62-3039	-AA3A(507)	
09-52-1041	-AA4A(102)		09-86-3041	-AA4A(122)			-AA4A(505)		09-62-3049	-AA4A(507)	
09-52-1051	-AA5A(102)		09-86-3051	-AA5A(122)			-AA5A(505)		09-62-3059	-AA5A(507)	
09-52-1061	-AA6A(102)		09-86-3061	-AA6A(122)		09-62-4061	-AA6A(505)		09-62-3069	-AA6A(507)	
09-52-1071	-AA7A(102)		09-86-3071	-AA7A(122)			-AA7A(505)		09-62-3079	-AA7A(507)	
09-52-1081	-AA8A(102)		09-86-3081	-AA8A(122)			-AA8A(505)		09-62-3089	-AA8A(507)	
09-52-1091	-AA9A(102)		09-86-3091	-AA9A(122)			-AA9A(505)		09-62-3099	-AA9A(507)	
09-52-1101	-AA10A(102)		09-86-3101	-AA10A(122)			-AA10A(505)		09-62-3109	-AA10A(507)	
09-52-1111	-AA11A(102)		09-86-3111	-AA11A(122)			-AA11A(505)		09-62-3119	-AA11A(507)	
09-52-1121	-AA12A(102)		09-86-3121	-AA12A(122)			-AA12A(505)		09-62-3129	-AA12A(507)	
09-52-1131	-AA13A(102)		09-86-3131	-AA13A(122)			-AA13A(505)			-AA13A(507)	
09-52-1141	-AA14A(102)		09-86-3141	-AA14A(122)			-AA14A(505)		09-62-3149	-AA14A(507)	
09-52-1151	-AA15A(102)		09-86-3151	-AA15A(122)			-AA15A(505)		09-62-3159	-AA15A(507)	
	-AA16A(102)			-AA16A(122)			-AA16A(505)			-AA16A(507)	

COLUMN NO. 1	CON'T. IN COLUMN NO.	SHEET NO.	COLUMN NO. 2	CON'T. IN COLUMN NO.	SHEET NO.	COLUMN NO. 3	CON'T. IN COLUMN NO.	SHEET NO.	COLUMN NO. 4	CON'T. IN COLUMN NO.	SHEET NO.
						SEE SHEET 1		SEE SHEET 1			
						SEE SHEET 1		SEE SHEET 1			
						SEE SHEET 1	U3	SEE SHEET 1			
						SEE SHEET 1	U2	SEE SHEET 1			
						SEE SHEET 1	M8	SEE SHEET 1			
						SEE SHEET 1	D8	SEE SHEET 1			
						SEE SHEET 1	A	SEE SHEET 1			
LTR.	REVISIONS		LTR.	REVISIONS							

DIMENSIONS SHOWN (METRIC) INCH  
UNLESS OTHERWISE SPECIFIED  
TOLERANCES ANGULAR ± 1/2°

3 PLACE	±		±
2 PLACE	±		±
1 PLACE	±		±

DRAFT WHERE APPLICABLE MUST  
REMAIN WITHIN DIMENSIONS

DRWG. PEREZ - EN'D. PATEL  
BY ARGUETA BY  
APP'D. LENZ SCALE :

▽ = 0   ▽ = 0   **REVISE ONLY ON CAD SYSTEM**

TITLE  
**HOUSING ASS'Y, P.C. TAIL**  
(3,96)/.156 @  
**2145 SERIES DRAWING**

**MOLEX INCORPORATED**  
LISLE, ILL. 60532 U.S.A.

PART NO. **SEE CHART**   DRWG. NO. **SDA-2145**

FILE NAME: S2145X7   SHEET NO. 7   DATE 7 / 9 / 87

THIS DRAWING CONTAINS INFORMATION THAT IS PROPRIETARY TO  
MOLEX INC. AND SHOULD NOT BE USED WITHOUT WRITTEN PERMISSION

DRW. SIZE: KK   C

2145