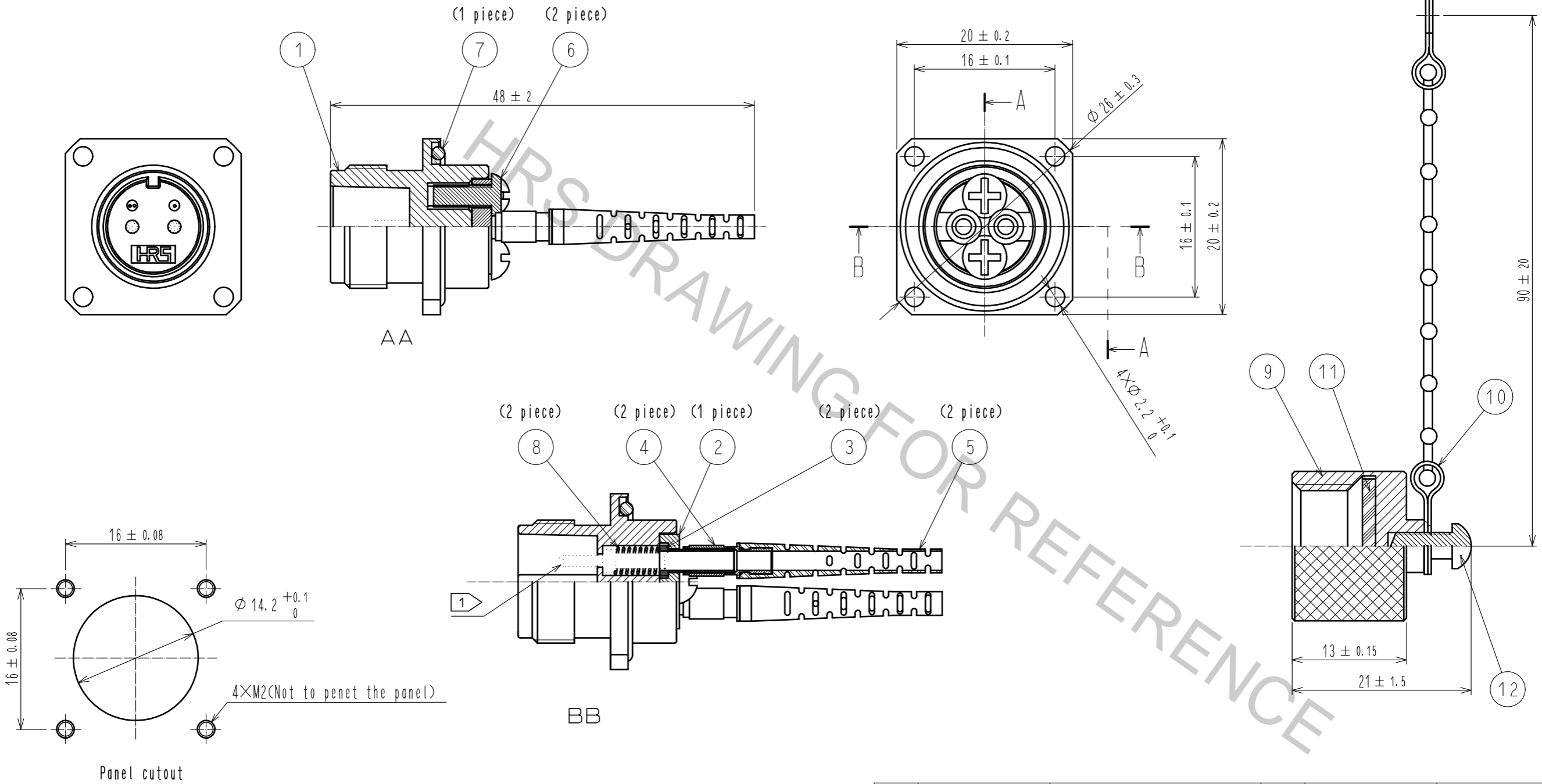


Aug.1.2018 Copyright 2018 HIROSE ELECTRIC CO., LTD. All Rights Reserved.
 In case that the application demands a high level of reliability, such as automotive,
 please contact a company representative for further information.



Note 1 Ferrules are not included in this product. Please use an optional MU ferrule.
 2. The assembled cap is inserted into this product and delivered.

6	Stainless steel		12	Stainless steel	Nyrock			
5	TEPP	Color: Mauve	11	SIR	Color: Transparent			
4	Brass	Nickel plating	10	Stainless steel				
3	Brass	Nickel plating	9	Aluminum alloy	Anodic oxide coating(Black)			
2	Brass	Nickel plating	8	Piano wire	Zinc plating			
1	Zinc die casting	Chrome plating (Black)	7	EPR	Color: Black			
NO.	MATERIAL	FINISH . REMARKS	NO.	MATERIAL	FINISH . REMARKS			
UNITS	mm	SCALE	2 : 1	COUNT	DESCRIPTION OF REVISIONS	DESIGNED	CHECKED	DATE
		APPROVED	MT. SHIBUTANI	18.03.30	DRAWING NO.	EDC-176272-33-00		
		CHECKED	MT. SHIBUTANI	18.03.30	PART NO.	MF10S-WDRFC01-0200(33)		
		DESIGNED	SI. MATSUMOTO	18.03.30	CODE NO.	CL709-0526-1-33		
		DRAWN	SR. TOYOKAWA	18.03.30		1/1		