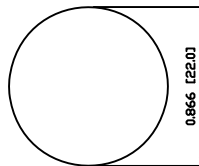
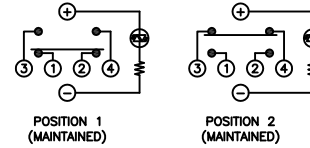


SUGGESTED PANEL CUTOUT



MAXIMUM PANEL THICKNESS: 0.512 [13.0mm]

SCHEMATIC



SPECIFICATIONS

- FUNCTION: 1PNO OFF-ON + 1PNC ON-OFF
- RATING: 2A 48VDC
- ILLUMINATION VOLTAGE: 12V 20mA
- CONTACT RESISTANCE: Initial: 50mΩ Max. at 1A 12VDC
- INSULATION RESISTANCE: 1,000MΩ Min. at 500VDC
- DIELECTRIC STRENGTH: 2,000VAC Min. for 1 Minute
- ELECTRICAL LIFE: 50,000 Cycles
- MECHANICAL LIFE: 1,000,000 Cycles
- TEMPERATURE: Operating: -20°C to 70°C
- INGRESS PROTECTION: IP65

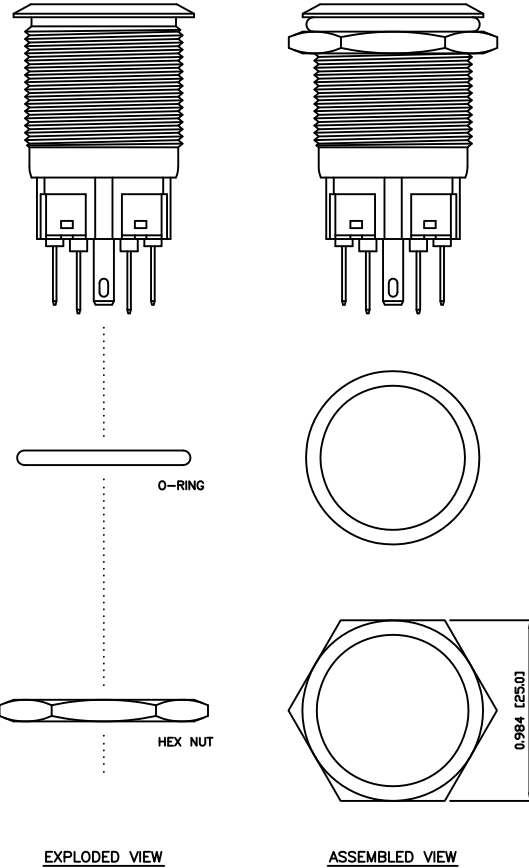
APPROVALS:
RoHS
COMPLIANT

MATERIALS

- BUSHING: Stainless Steel (304)
- BASE: Polyamide 6/6 (PA66)
- ACTUATOR: Stainless Steel (304), Polycarbonate (PC)
- HARDWARE: Nickel Plated Brass (H59)
- SEALING: Silicone Rubber
- INNER ASSEMBLY: Polycarbonate (PC), Polyoxymethylene (POM), Brass (H62), Stainless Steel (304)
- SPRING: Stainless Steel (304)
- CONTACTS: Silver/Cadmium Oxide (AgCdO)
- TERMINALS: Brass (H62)
- O-RING: Silicone Rubber

COLORS AND FINISH

- BEZEL: Stainless Steel, Machine Finish
- ACTUATOR: Stainless Steel, Machine Finish
- ILLUMINATION: Blue (Forward), Blue (Reverse)
- MARKING: None



BODY	A	09/07/22	CAB
COLORS	A	09/07/22	CAB
MATERIALS	B	09/12/02	CAB
SPECIFICATIONS	B	09/12/29	CAB
REFERENCE	REV.	DATE	BY

THE INFORMATION CONTAINED IN THIS DOCUMENT IS PROPRIETARY TO E-SWITCH AND IS NOT TO BE COPIED OR TRANSFERRED

A	INITIAL RELEASE	18969	10/02/10	CAB
REV.	DESCRIPTION	PCR	DATE	DRAWN BY

DIMENSIONS	INCHES [MILLIMETERS]
GENERAL TOLERANCES	±0.008 [±0.2] / ±1°
SCALE	DRAWING NOT TO SCALE
PROJECTION	1st Angle

E-SWITCH		LAMB INDUSTRIES	
TITLE			
PV7F2T0SS-344			
ITEM NUMBER	DATE	REVISION	
52-PV7F2T0SS344	FEBRUARY 10, 2010	A	