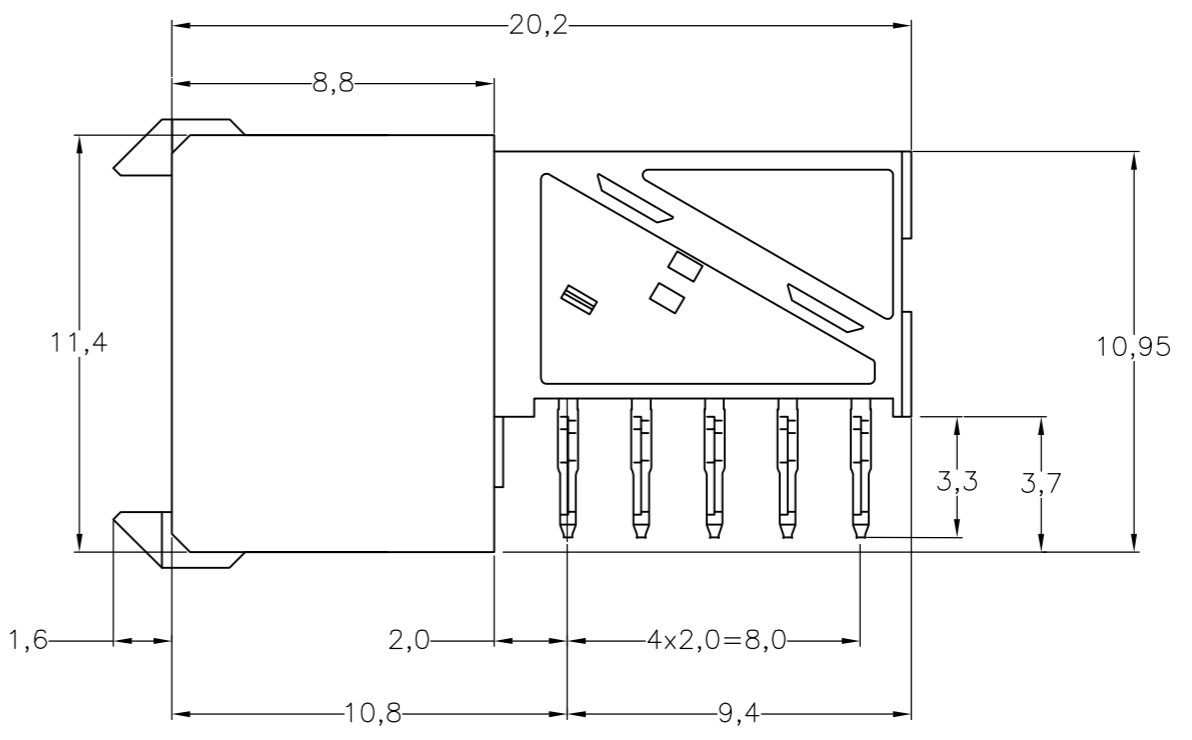
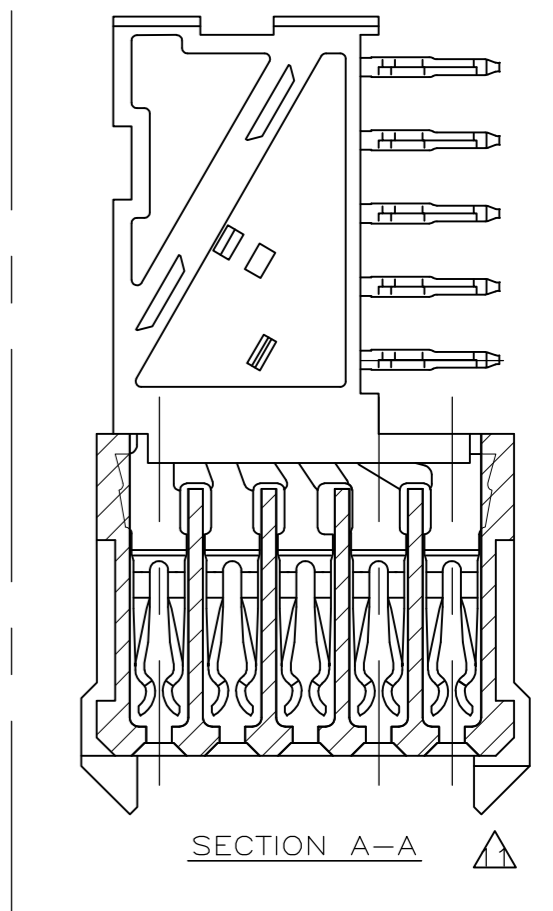
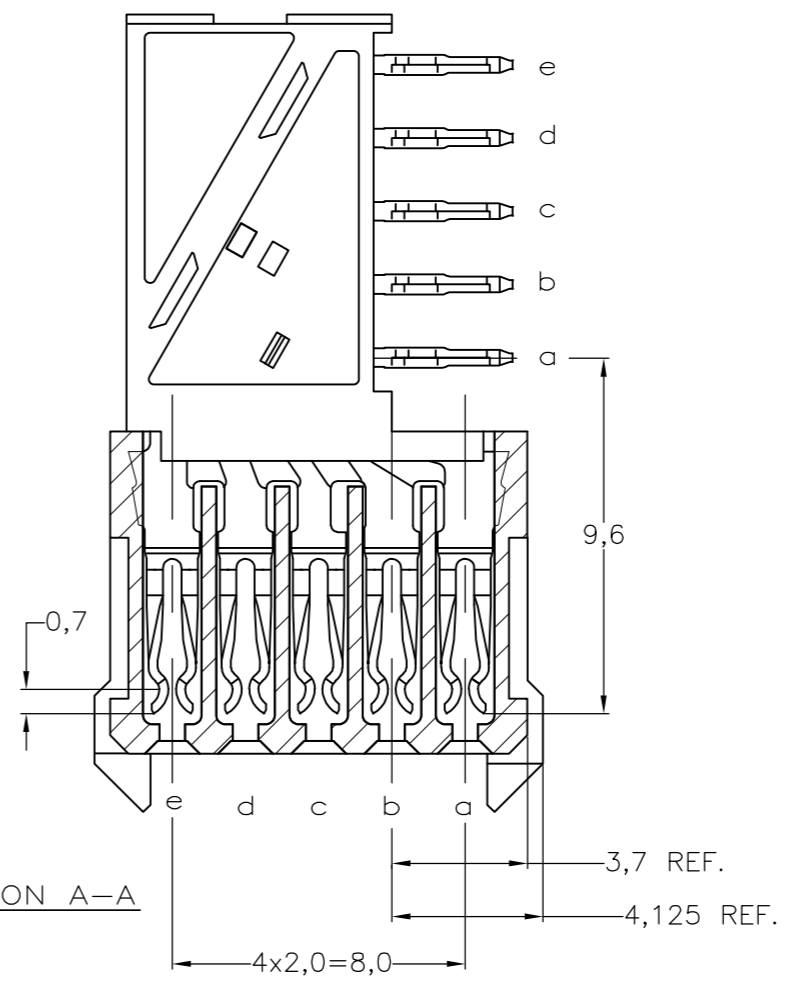
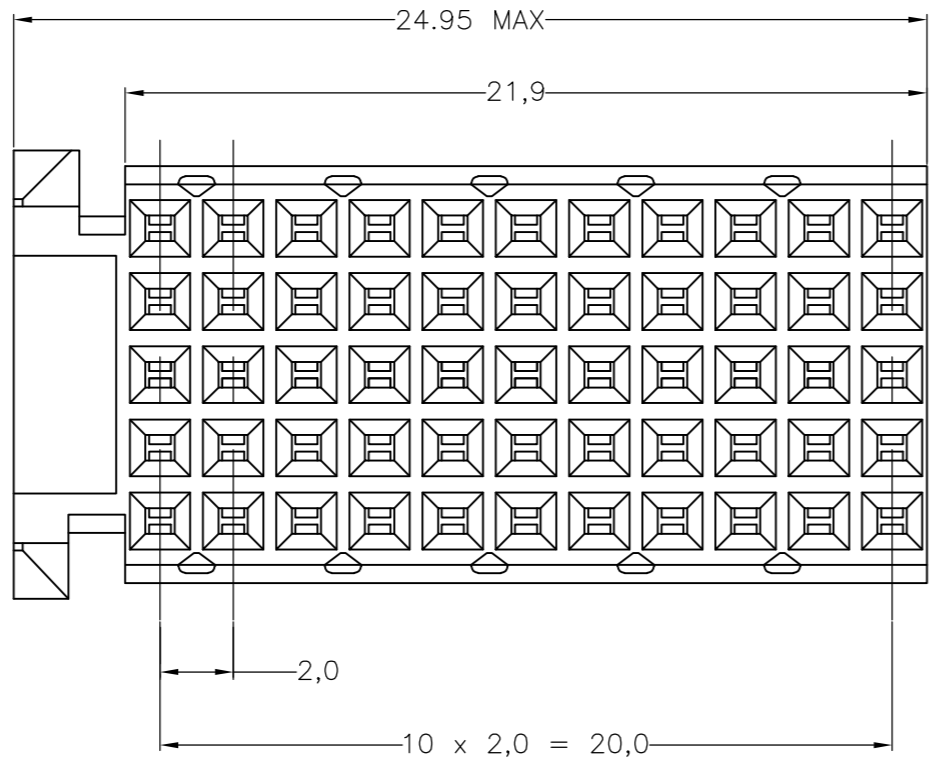
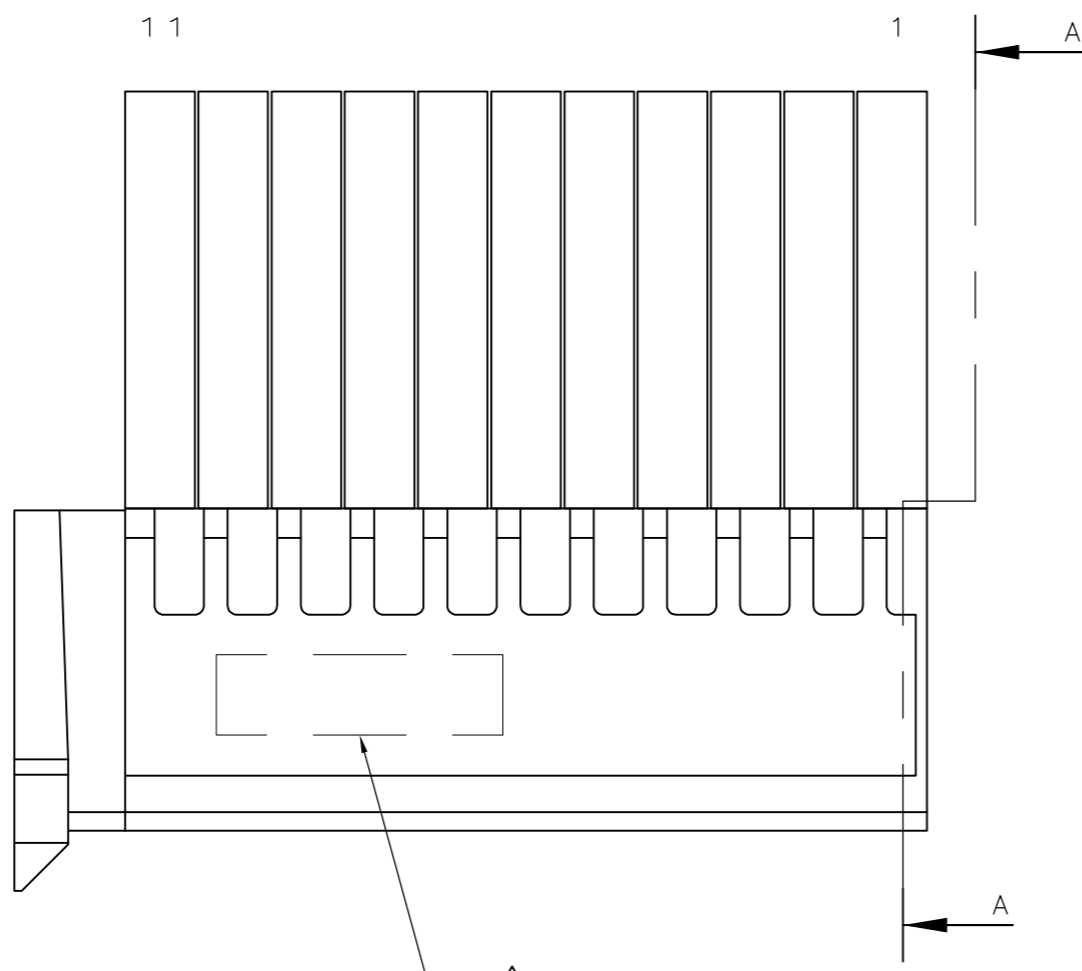
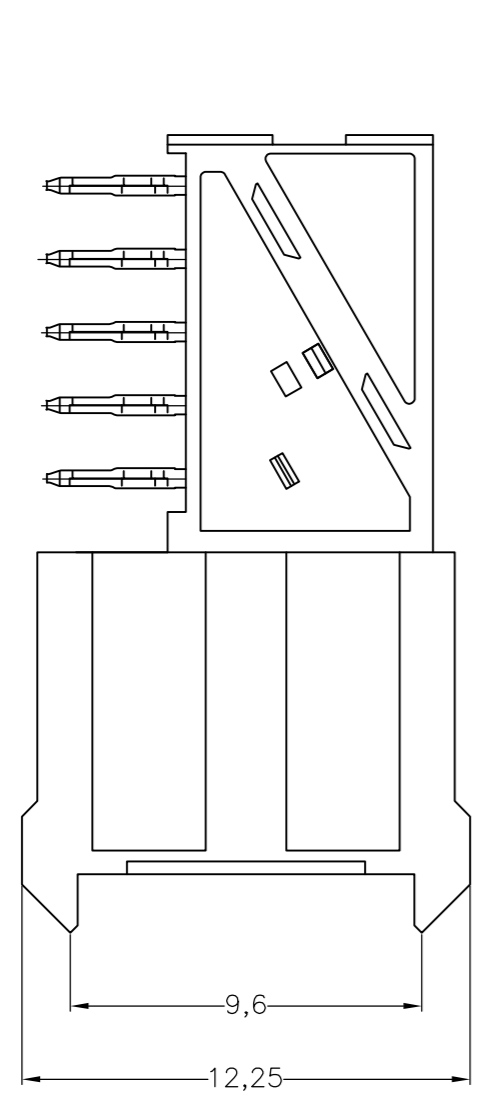


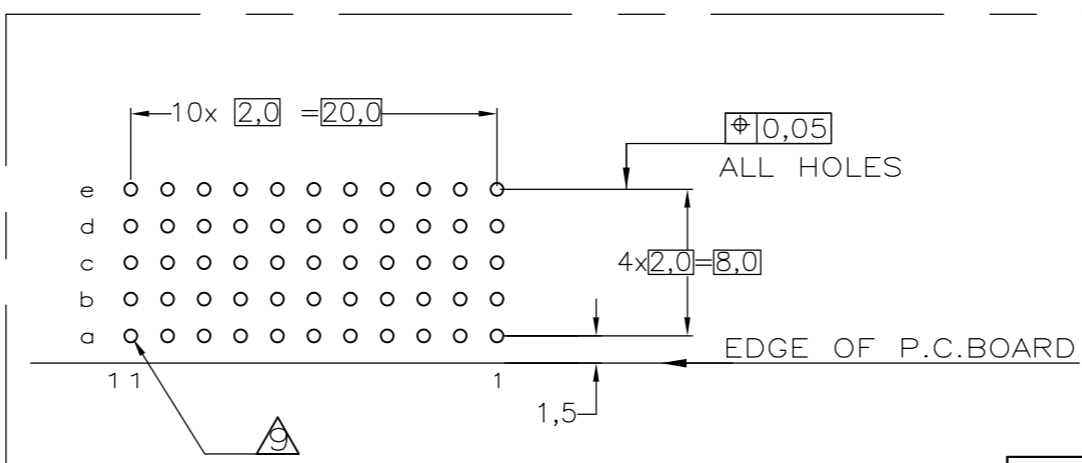
THIS DRAWING IS UNPUBLISHED. RELEASED FOR PUBLICATION  
 © COPYRIGHT - By - ALL RIGHTS RESERVED.

LOC	DIST	REVISIONS			
P	LTR	DESCRIPTION	DATE	DWN	APVD
N1		REVISED PER ECO-11-005033	28MAR11	RK	HMR
P		ECO-12-003005	22FEB12	SY	MQW
R		ECR-12-009867	6NOV12	SY	AC



NOTES:

- ⚠ MATERIAL CONTACT; PHOSPHORBRONZE  
MATERIAL HOUSING; GLASSFILLED POLYESTER (GRAY)  
UL-RATING 94VO.
- ⚠ GENERAL PLATING SPECIFICATION: UNDERPLATING (ENTIRE CONTACT): 1,27µm NICKEL MIN.  
AND ACTION PIN: 0,5µm TIN-LEAD MIN.  
FOR PLATING OF MATING SURFACES SEE APPLICABLE SPECIFICATION REFERENCE FOR EACH DASH NUMBER.
- ⚠ CONFORMS TO ALL TESTING ACCORDING IEC 61076-4-101 PERFORMANCE LEVEL 2.
- ⚠ CONFORMS TO ALL TESTING ACCORDING IEC 61076-4-101 PERFORMANCE LEVEL 1.
- ⚠ CONNECTOR TESTED AND QUALIFIED AGAINST TELCORDIA GR-1217-CORE QUALITY LEVEL III, CENTRAL OFFICE APPLICATIONS.
- ⚠ CONNECTOR TESTED AND QUALIFIED AGAINST TELCORDIA GR-1217-CORE QUALITY LEVEL III, UNCONTROLLED ENVIRONMENT APPLICATIONS.
- ⚠ CONNECTOR LUBRICATED WITH TELCORDIA GR-1217-CORE APPROVED LUBRICANT.
- ⚠ CONNECTOR PRINTED WITH PARTNUMBER AND DATECODE  
THE MARKING CAN APPEAR ON THE FRONT SIDE OR ON THE BACK SIDE.
- ⚠ PLATED-THROUGH HOLES AT 2x2mm SQUARE GRID. 55 HOLES
- 10 FITS WITH INTEGRATED GROUND RETURN UPPERSHIELD, BASIC P.N. 352111  
AND INTEGRATED GROUND RETURN LOWERSHIELD, BASIC P.N. 352112
- ⚠ CONNECTOR ASSEMBLED WITH REDESIGNED CONTACTS.  
CONTACTS HAVE A CORING-OUT IN THE PLASTIC.
- ⚠ 0.76µm MIN GOLD PLATING AT MATING SURFACES.



SCALE 2,5:1  
 COMPONENT SIDE AS SHOWN  
 RECOMMENDED PCB-HOLE LAY-OUT

P.C.B. HOLE DIM. ACTION PIN  
 FOR DETAILS SEE  
 APPLICATION SPECIFICATION

THIS DRAWING IS A CONTROLLED DOCUMENT.		DWN F.V.KONINGSBRUGGE 20JAN97	CHK W.V.D.HEIJDEN 20JAN97
DIMENSIONS: mm	TOLERANCES, UNLESS OTHERWISE SPECIFIED: ±0.2	APVD F.V.KONINGSBRUGGE	NAME F.V.KONINGSBRUGGE
	8-PLG ±	PRODUCT SPEC 108-19082	APPLICATION SPEC 114-19029
	1-PLG ±	WEIGHT -	SIZE A2
	2-PLG ±	MATERIAL -	CAGE CODE 00779
	3-PLG ±	FINISH -	DRAWING NO C=100161
	4-PLG ±		RESTRICTED TO -
	ANGLES ±		SCALE NTS
			SHEET 1 of 1
			REV R

OBSOLETE

FINISH	MATERIAL	PART NUMBER
2,3,12	⚠	3-100161-0
2,6	⚠	1-100161-9
2,5	⚠	100161-9
2,4	⚠	100161-4
2,3	⚠	100161-1



Z-PACK 2MM HM TYPE C  
 55 POS. FEMALE CONNECTOR

CUSTOMER DRAWING	SCALE NTS	SHEET 1 of 1	REV R
------------------	--------------	-----------------	----------