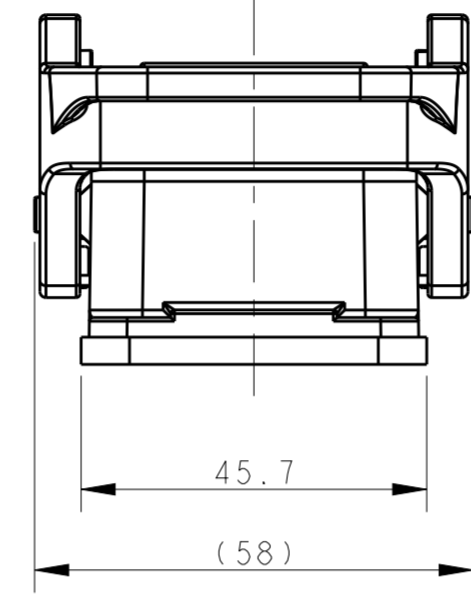
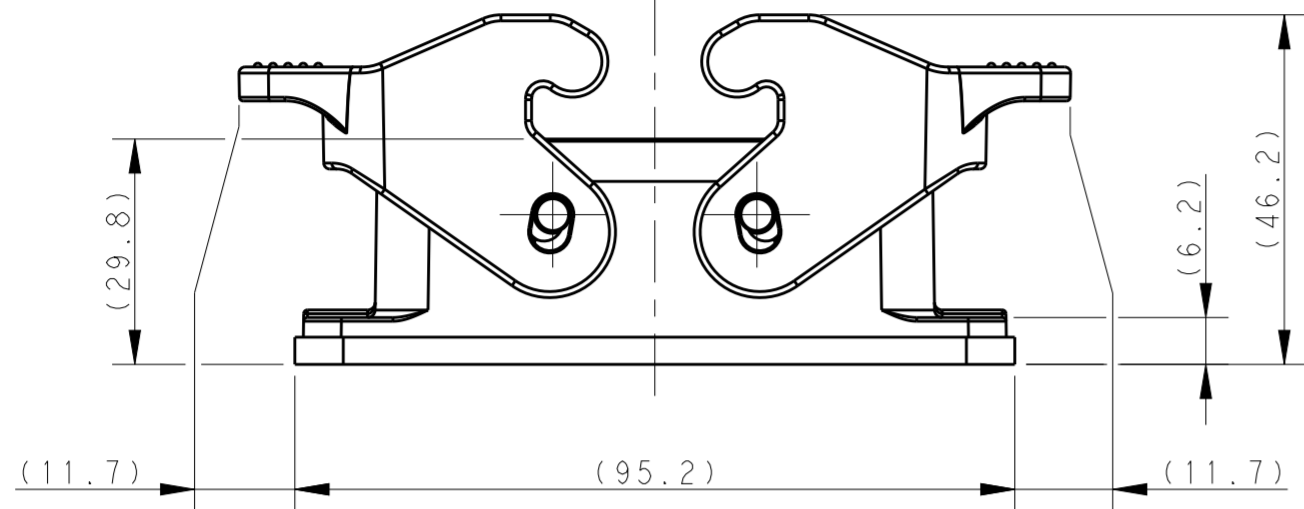


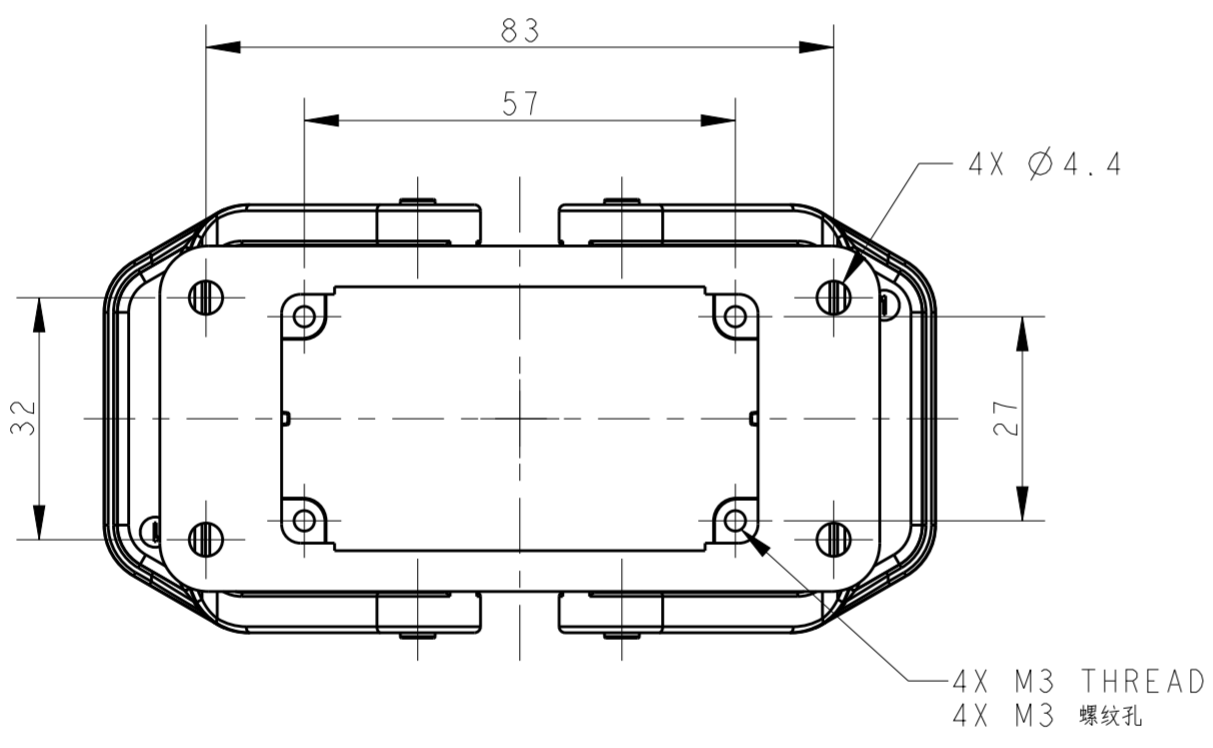
THIS DRAWING IS UNPUBLISHED. RELEASED FOR PUBLICATION 20
 © COPYRIGHT 20 BY - ALL RIGHTS RESERVED.

REVISIONS				
P	LTR	DESCRIPTION	DATE	APVD
A		INITIAL RELEASE	06APR2017	DW CW

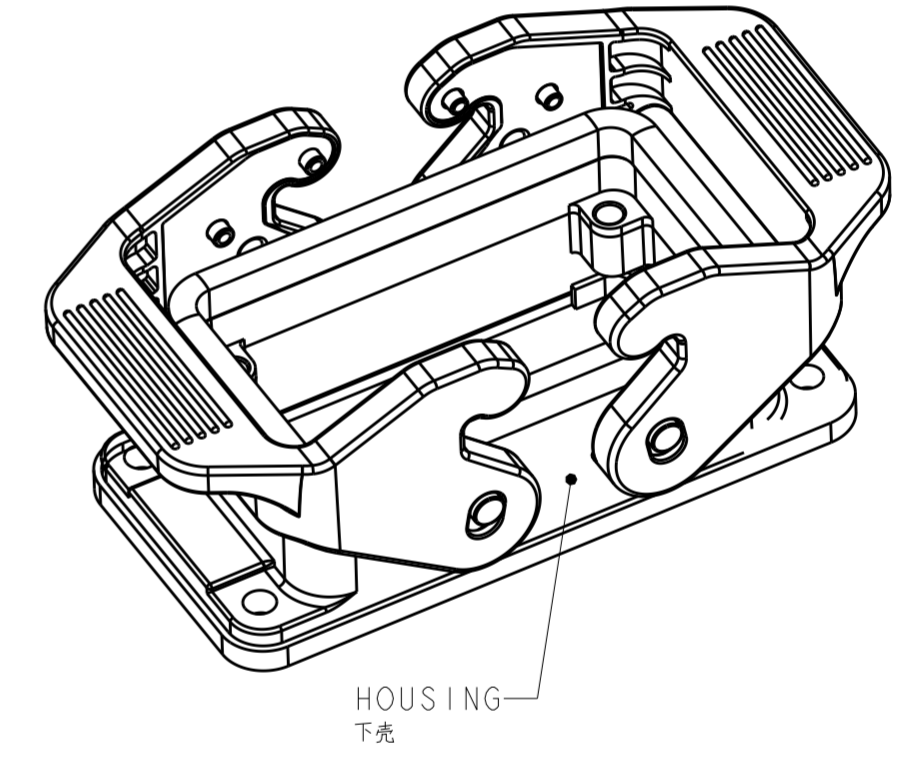
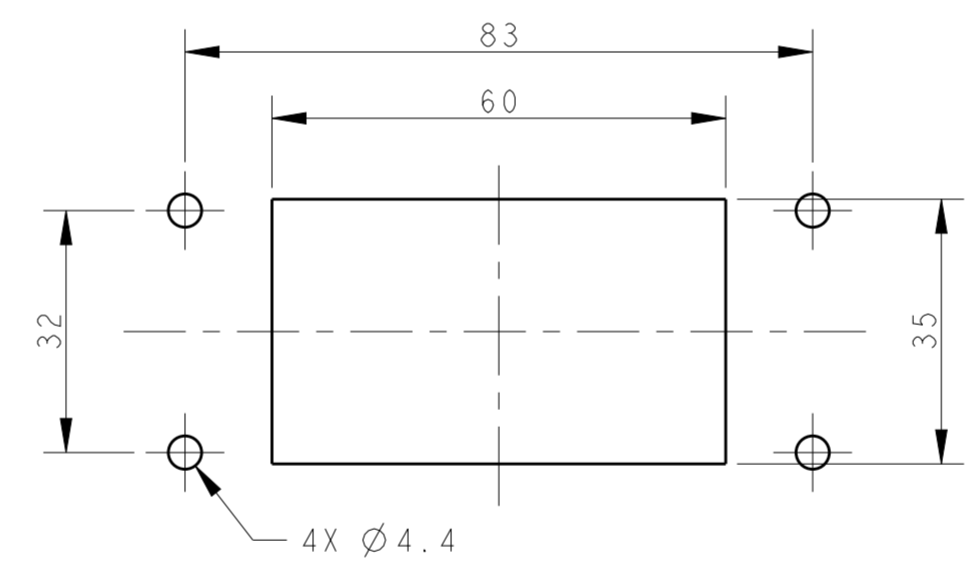


NOTES:
 1. TECHNICAL CHARACTERISTICS:
 HOUSING MATERIAL: DIE CAST ALUMINIUM ALLOY
 HOUSING SURFACE: POWDER COATED, GREY
 DEGREE OF PROTECTION: IP65 (MATED)

注释:
 1. 技术参数:
 下壳材料: 铝合金
 下壳表面处理: 灰色粉末涂层
 防护等级: IP65(配合)



PANEL CUT OUT DIMENSION, ONLY FOR REFERENCE
 面板开口尺寸, 仅供参考



TI410100000-000	H10B-AG-SL	H10B HOUSING, BULKHEAD MOUNTED, PLASTIC DOUBLE LOCKING POWDER COATED, GREY H10B下壳, 开孔安装, 塑料双扣, 灰色粉末喷涂
PART NUMBER 零件料号		PART DESCRIPTION 零件描述

THIS DRAWING IS A CONTROLLED DOCUMENT.		DWN DAVID WANG 06APR2017 CHK CHRIS WANG 06APR2017 APVD XIANG XU 06APR2017	TE Connectivity	
DIMENSIONS: mm 		PRODUCT SPEC: 108-137018 APPLICATION SPEC: 114-137018		NAME: H10B-AG-SL
TOLERANCES UNLESS OTHERWISE SPECIFIED: 0 PLC ± 1 PLC ± 2 PLC ± 3 PLC ± 4 PLC ± ANGLES ± FINISH -		WEIGHT: - CUSTOMER DRAWING	SIZE: A2 CAGE CODE: 00779 DRAWING NO: T1410100000000	RESTRICTED TO: - SCALE: 1:1 SHEET: 1 OF 1 REV: A