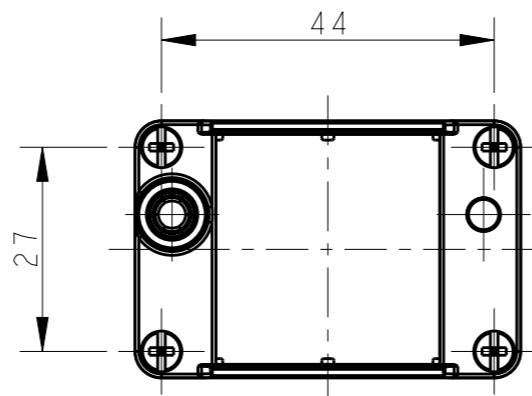
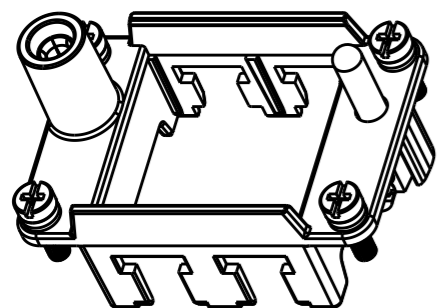


THIS DRAWING IS UNPUBLISHED. RELEASED FOR PUBLICATION 20
 © COPYRIGHT 20 BY - ALL RIGHTS RESERVED.

REVISIONS

P	LTR	DESCRIPTION	DATE	DWN	APVD
	A	INITIAL	28FEB2015	DW	CW
	A1	ECR-16-000601	14JAN2016	DW	CW
	A2	ECR-16-017508	10DEC2016	RL	CW



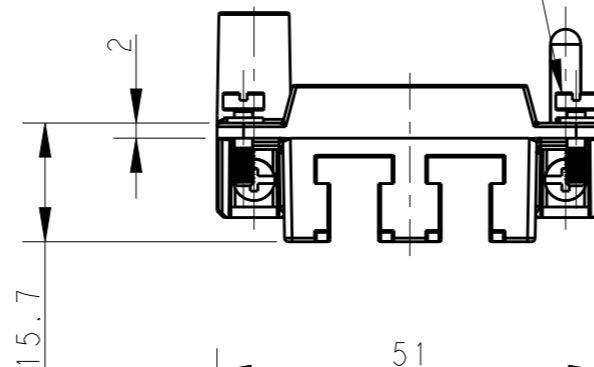
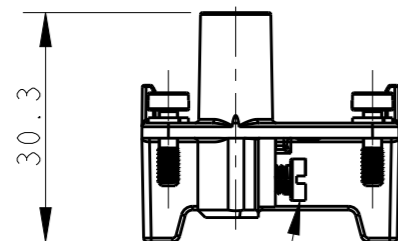
NOTES:

- 1. TECHNICAL CHARACTERISTICS:
 FRAME MATERIAL: DIE CAST ZINC ALLOY
 NUMBER OF MODULES: 2
 SURFACE: ZINC PLATED
 MATING CYCLES: 500 CYCLES

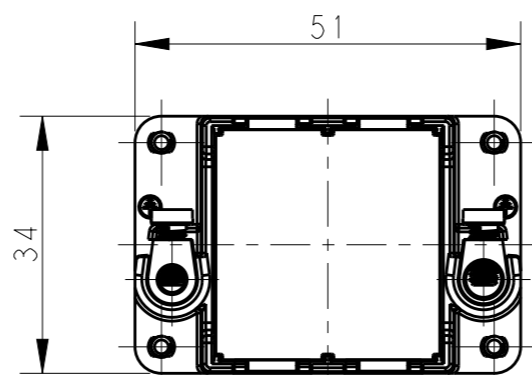
注释:

- 1. 技术参数:
 框架材料: 锌合金
 模块数量: 2
 表面处理: 镀锌
 插拔次数: 500次

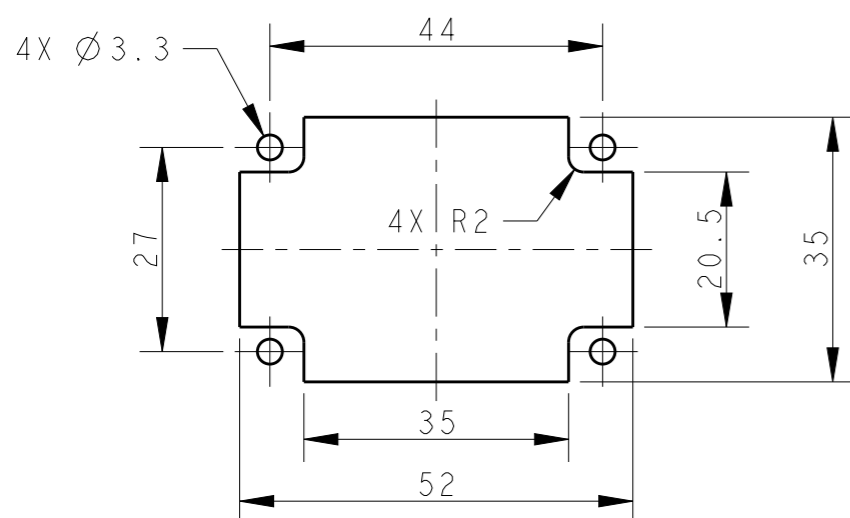
4X M3 SCREW
 RECOMMENDED TIGHTENING TORQUE 0.5Nm
 4X M3 螺丝推荐锁紧力矩为0.5Nm



2X M4 SCREW, RECOMMENDED TIGHTENING TORQUE 1.2Nm
 2X M4 螺丝, 推荐锁紧力矩为1.2Nm



T2070064001-000 SHOWN ABOVE WITHOUT MARK
 T2070064001-000, 不带标记



PANEL CUT FOR FRAME USE WITHOUT HOODS/ HOUSINGS

T2070064001-000	H6BN-T2	H6BN MODULE FRAME H6BN模块框架
T2070064101-000	H6BN-T2-M	H6BN MALE MODULE FRAME H6BN模块公框架
T2070064201-000	H6BN-T2-F	H6BN FEMALE MODULE FRAME H6BN模块母框架

PART NUMBER 料号	PART DESCRIPTION 描述
-------------------	------------------------

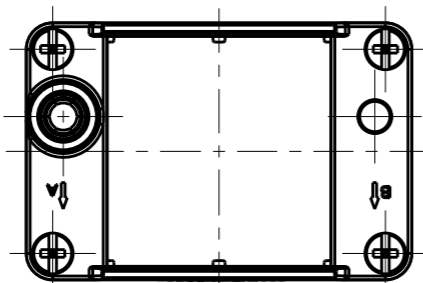
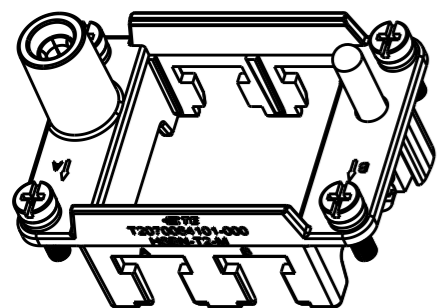
THIS DRAWING IS A CONTROLLED DOCUMENT.	
DIMENSIONS: mm	TOLERANCES UNLESS OTHERWISE SPECIFIED:
	0 PLC ±-
	1 PLC ±-
	2 PLC ±-
	3 PLC ±-
	4 PLC ±-
	ANGLES ±-
MATERIAL	FINISH
-	-

DWN	28FEB2015
DAVID WANG	
CHK	28FEB2015
CHRIS WANG	
APVD	28FEB2015
XIANG XU	
PRODUCT SPEC	108-137057
APPLICATION SPEC	114-137057
WEIGHT	-
Customer Drawing	

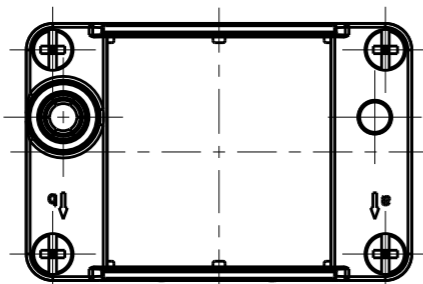
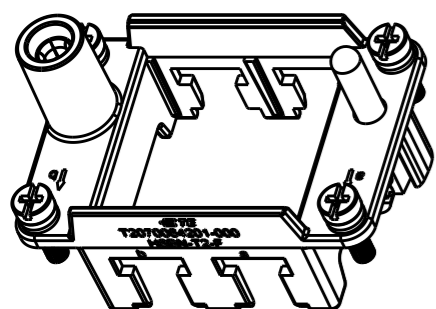
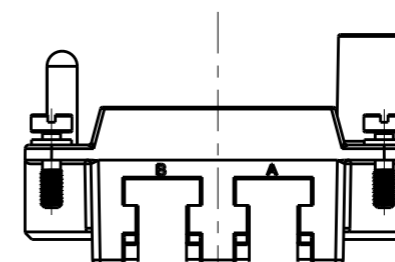
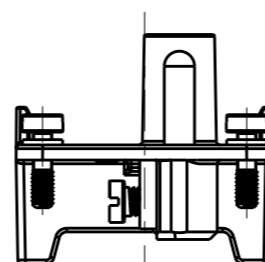
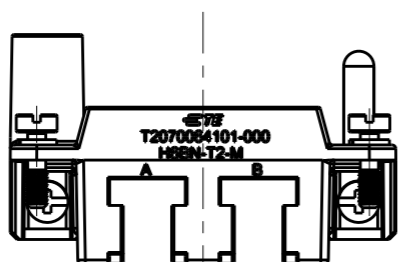
TE Connectivity		NAME	
		H6BN-T2	
SIZE	CAGE CODE	DRAWING NO	RESTRICTED TO
A3	00779	©-T2070064001000	-
SCALE		SHEET	REV
1:1		1 OF 2	A2

REVISIONS

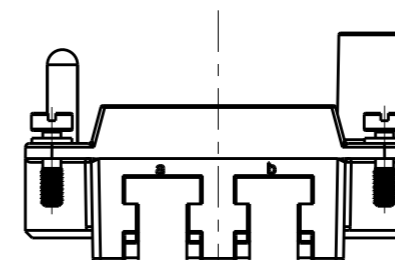
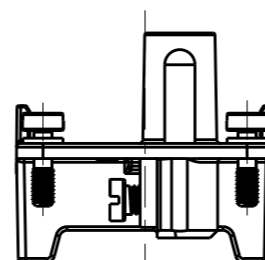
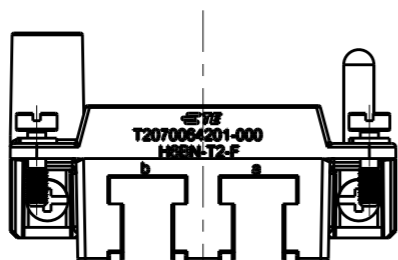
P	LTR	DESCRIPTION	DATE	DWN	APVD
-	-	SEE SHEET 1	-	-	-



T2070064101-000, H6BN-T2-M SHOWN
 WITH MARK, ALL DIMENSIONS THE SAME TO T2070064001-000
 T2070064101-000, H6BN-T2-M, 带标记, 所有尺寸同T2070064001-000一样



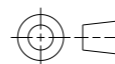
T2070064201-000, H6BN-T2-F SHOWN
 WITH MARK, ALL DIMENSIONS THE SAME TO T2070064001-000
 T2070064201-000, H6BN-T2-F, 带标记, 所有尺寸同T2070064001-000一样



THIS DRAWING IS A CONTROLLED DOCUMENT.

DIMENSIONS:

mm



TOLERANCES UNLESS OTHERWISE SPECIFIED:

- 0 PLC ±-
- 1 PLC ±-
- 2 PLC ±-
- 3 PLC ±-
- 4 PLC ±-
- ANGLES ±-

MATERIAL

FINISH

DWN 28FEB2015

DAVID WANG

CHK 28FEB2015

CHRIS WANG

APVD 28FEB2015

XIANG XU

PRODUCT SPEC 108-137057

APPLICATION SPEC 114-137057

WEIGHT -

CUSTOMER DRAWING



TE Connectivity

NAME H6BN-T2

SIZE	CAGE CODE	DRAWING NO	RESTRICTED TO
------	-----------	------------	---------------

A3	00779	©-T2070064001000	-
----	-------	------------------	---

SCALE 1:1	SHEET 2 OF 2	REV A2
-----------	--------------	--------