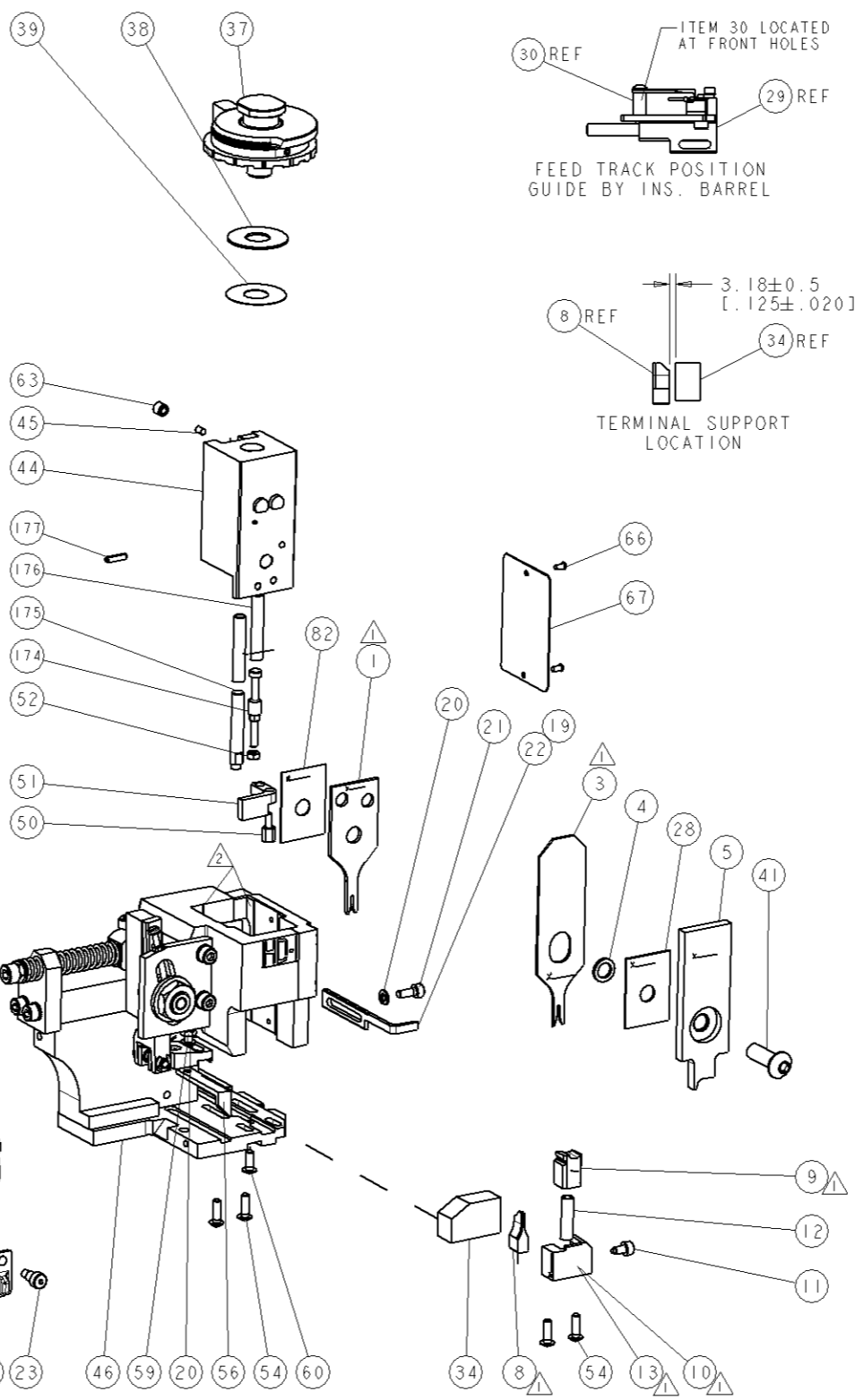
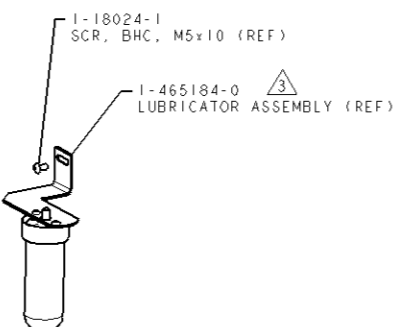
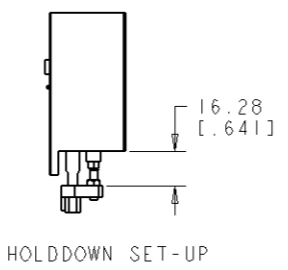
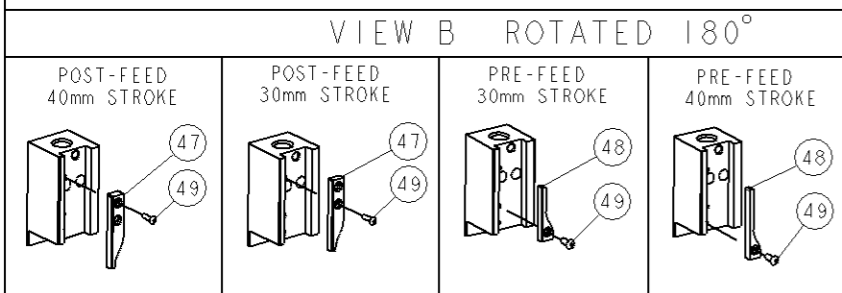


PART NUMBER	REV	TERMINATOR	FEED TYPE	DESCRIPTION
1530292-1	1	LEADMAKER	MECH POST FEED	CUTS CARRIER
1530292-2	1	BENCH	MECH PRE FEED	CUTS CARRIER
1530292-6	1	LEADMAKER	MECH POST FEED	CONTINUOUS CARRIER
7-1530292-1	1	LEADMAKER	MECH POST FEED	-1 AND SPARE PARTS
7-1530292-2	1	BENCH	MECH PRE FEED	-2 AND SPARE PARTS
7-1530292-6	1	LEADMAKER	MECH POST FEED	-6 AND SPARE PARTS
7-1530292-7	1	-	-	SPARE PARTS KIT

CRIMP DATA			PROVERTHA TERMINAL	TE CRIMP SPECS
TERMINAL NAME: TERMINAL				
CRIMP	SIZE	TYPE	RANGE	
WIRE	1.17 [1.046 IN]	F	24-28 AWG	
INSUL	1.22 [1.048 IN]	F	0.81mm MAX [0.032 IN MAX]	
WIRE STRIP LENGTH	APPL INSTRUCTIONS			
2.5-3.0mm [0.098-.118 IN]	408-8322 & 408-8490			
TERMINAL APPL SPEC	NONE	-	FEED	7.72 [1.304 IN]
TERMINALS APPLIED				
M.F.R PN	TE PN			
C15246LG2T	2113093			
WIRE SIZE	CRIMP HEIGHT	REF SETTING		
24 AWG	.76 ± 0.05 [0.030 ± .002 IN]	C2		
26 AWG	.71 ± 0.05 [0.028 ± .002 IN]	C5		
28 AWG	.69 ± 0.05 [0.027 ± .002 IN]	C6		

- △ RECOMMENDED SPARE PARTS.
- △ GREASE RAM, CAM, CAM FOLLOWER AND FEED ROD LIGHTLY.
- △ CERTAIN TERMINALS REQUIRE LUBRICATION. REFER TO THE APPLICATOR INSTRUCTION SHEET FOR MORE INFORMATION.
- 4. LUBRICATE DAILY PER THE APPLICATOR INSTRUCTION SHEET SUPPLIED WITH THE APPLICATOR.

* WARNING
ON INSTALLATION, SET WIRE DISC TO LARGEST WIRE SIZE SETTING. USE OF SETTINGS BELOW MIN. REQUIRED CRIMP HEIGHT SETTING WILL CAUSE DAMAGE TO CRIMP TOOLING.



SET UP GAGE 458637-3		LOC	DIST	REVISIONS			
A	66			REV	DESCRIPTION	DATE	BY
				1	DEVELOPMENT	04MAR2010	L.Z

-	1	1	1	1	1	1	993111-8	PIN, SLOTTED SPRING 3.0 X 12.0	177
-	2	2	2	2	2	2	3-22280-7	SPRING, COMPRESSION	176
-	1	1	1	1	1	1	1752353-1	GUIDE PIN, HOLDDOWN	175
-	1	1	1	1	1	1	1901680-1	GUIDE PIN, HOLDDOWN	174
-	1	1	1	1	1	1	455888-5	SPACER, CRIMPER	82
-	1	1	1	1	1	1	1338705-3	DOCUMENTATION PACKAGE	71
-	1	1	1	1	1	1	461264-5	PLATE, IDENTIFICATION	67
-	2	2	2	2	2	2	21017-2	SCREW, DRIVE	66
-	1	1	1	1	1	1	3-18031-0	SCR, SET, CUP POINT M6 X 6.0	63
-	2	2	2	2	2	2	2-18032-5	SCR, SET, FLT POINT M5 X 20.0	61
-	1	1	1	1	1	1	18024-7	SCR, BTN SKT HD CAP (M4 X 10.0)	60
-	1	1	1	1	1	1	5-18022-2	SCR, HEX HD CAP M4 X 8.0	59
-	1	1	1	1	1	1	1338685-1	PAWL, FEED	56
-	4	4	4	4	4	4	18024-8	SCR, BTN SKT HD CAP (M4 X 12.0)	54
-	1	1	1	1	1	1	1-18030-0	NUT, HEX, REG M3.5	52
-	1	1	1	1	1	1	1901681-1	HOLDDOWN, TERMINAL	51
-	1	1	1	1	1	1	1-1752354-3	STANDOFF, HOLD-DOWN	50
-	1	1	1	1	1	1	18024-3	SCR, BTN SKT HD CAP (M3 X 10.0)	49
-	-	-	-	-	-	-	1338675-1	CAM, UNIVERSAL PRE FEED	48
-	1	1	1	1	1	1	1338676-1	CAM, UNIVERSAL POST-FEED	47
-	1	1	1	1	1	1	1320999-3	APPLICATOR SUBASSEMBLY, HDI	46
-	1	1	1	1	1	1	690191-1	PLUG, NYLON	45
-	1	1	1	1	1	1	1633724-5	RAM, (SIDE FEED)	44
-	1	1	1	1	1	1	2-18024-6	SCR, BTN SKT HD CAP (M8 X 25.0)	41
-	1	1	1	1	1	1	690125-1	SHIM SUB-ASSY	39
-	1	1	1	1	1	1	469367-7	SHIM	38
-	1	1	1	1	1	1	879103-3	FINE ADJUST HEAD ASSEMBLY	37
-	1	1	1	1	1	1	1752356-3	SUPPORT, TERMINAL	34
-	2	2	2	2	2	2	1-18024-0	SCR, BTN SKT HD CAP (M4 X 20.0)	33
-	1	1	1	1	1	1	18027-2	WASHER, FLAT, REG M4	32
-	1	1	1	1	1	1	1-18023-2	SCR, SKT HD CAP M4 X 12.0	31
-	1	1	1	1	1	1	1320908-9	SPACER, STRIP GUIDE	30
-	1	1	1	1	1	1	1633073-3	STRIP GUIDE ASSEMBLY	29
-	1	1	1	1	1	1	455888-8	SPACER, CRIMPER	28
-	2	2	2	2	2	2	1-22284-0	SPRING, COMPRESSION	27
-	1	1	1	1	1	1	356835-1	LEVER, DRAG RELEASE	26
-	1	1	1	1	1	1	240792-1	DRAG, TERMINAL	25
-	1	1	1	1	1	1	1320928-1	PLATE, STRIP GUIDE	24
-	1	1	1	1	1	1	980371-4	SCR, SKT HD SHLDR 5.0 DIA X 6.0	23
-	1	-	-	-	-	-	690472-2	STRIPPER	22
-	1	1	1	1	1	1	1-18023-1	SCR, SKT HD CAP M4 X 10.0	21
-	2	2	2	2	2	2	18025-2	WASHER, SPRG LOCK, REG M4	20
-	-	-	-	-	-	-	690472-1	STRIPPER	19
-	1	-	-	-	-	-	1338684-2	SHEAR HOLDER, FRONT	13
-	1	1	1	1	1	1	3-22280-3	SPRING, COMPRESSION	12
-	1	1	1	1	1	1	356885-5	STOP, SHEAR	11
-	-	-	-	-	-	-	1-1320921-0	SHEAR HOLDER, FRONT, CUT	10
-	1	1	1	1	1	1	462006-6	FLOATING SHEAR, FRONT	9
-	1	2	2	2	1	1	2-1633620-6	ANVIL, COMBINATION	8
-	-	-	-	-	-	-	-	-	7
-	-	-	-	-	-	-	-	-	6
-	1	1	1	1	1	1	2-455889-0	DEPRESSOR, SHEAR	5
-	1	1	1	1	1	1	2-238011-3	BLOCK, CRIMPER SPACER	4
-	1	2	2	2	1	1	6-1633511-4	CRIMPER, INSULATION F	3
-	-	-	-	-	-	-	-	-	2
-	1	2	2	2	1	1	2-568176-4	CRIMPER, WIRE	1

PROTOTYPE DESIGN NOT RELEASED FOR PRODUCTION

PRELIMINARY

DIMENSIONS: mm [IN]		TOLERANCES: UNLESS OTHERWISE SPECIFIED:		MATERIAL		FINISH	
0	PLC	±					
1	PLC	±					
2	PLC	±					
4	PLC	±					
See Table				APPLICATOR SPEC		See Table	