

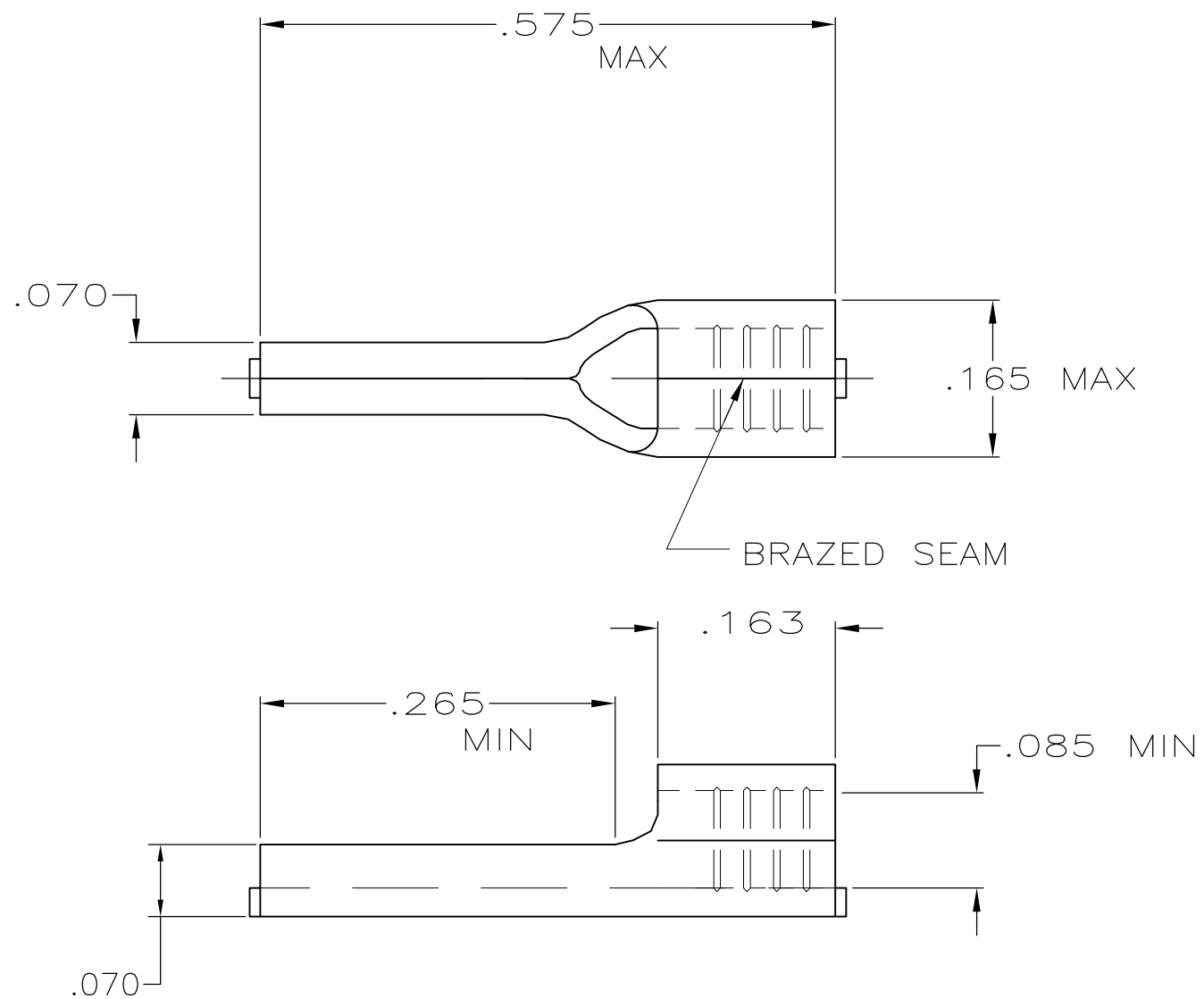
THIS DRAWING IS UNPUBLISHED. RELEASED FOR PUBLICATION

© COPYRIGHT BY TYCO ELECTRONICS CORPORATION. ALL RIGHTS RESERVED.

LOC	DIST	REVISIONS					
G	86	P	LTR	DESCRIPTION	DATE	DWN	APVD
		E		REV PER ECR 10-007446	09AUG10	JR	TM

AMP
WIRE RANGE

16-14 AWG
SOLID OR STRANDED



165045
PART NO

THIS DRAWING IS A CONTROLLED DOCUMENT.		DWN JR RUTH 01JUN07	Tyco Electronics Corporation Harrisburg, PA 17105-3608			
DIMENSIONS: INCHES		CHK M SPICER 01JUN07	NAME TERMINAL, WIRE PIN, SOLISTRAND, WIRE SIZE, 16-14 AWG			
TOLERANCES UNLESS OTHERWISE SPECIFIED:		APVD M SPICER 01JUN07	RESTRICTED TO			
0 PLC ± -		PRODUCT SPEC	SIZE			
1 PLC ± -		APPLICATION SPEC	CAGE CODE			
2 PLC ± -		FINISH	DRAWING NO			
3 PLC ± .008		MATERIAL	A3 00779 C-165045			
4 PLC ± -		FINISH	SCALE			
ANGLES ± -		FINISH	SHEET			
COPPER PER ASTM B152		FINISH	1 OF 1			
TIN PLATE PER ASTM B545		FINISH	REV			
		WEIGHT	E			
		CUSTOMER DRAWING				