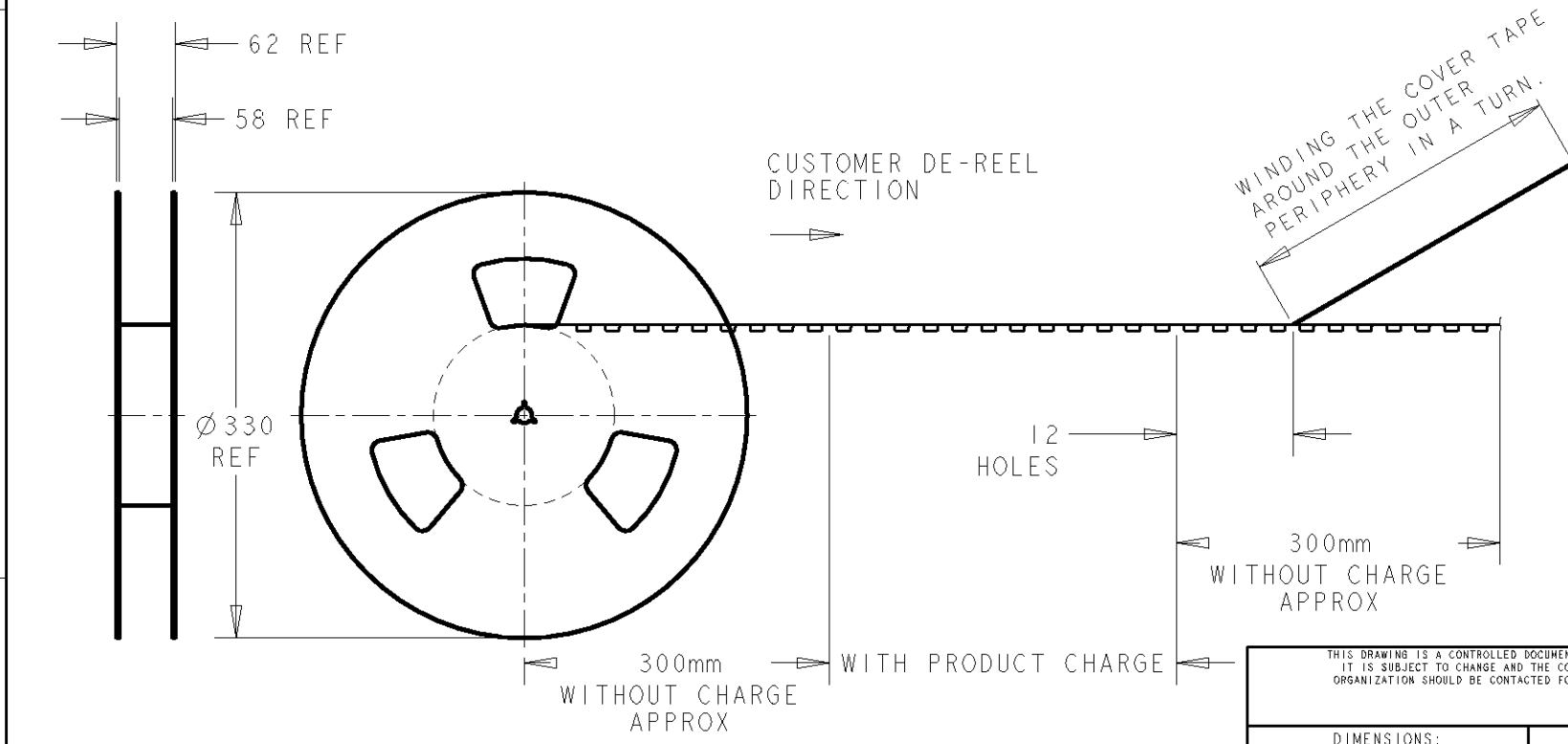
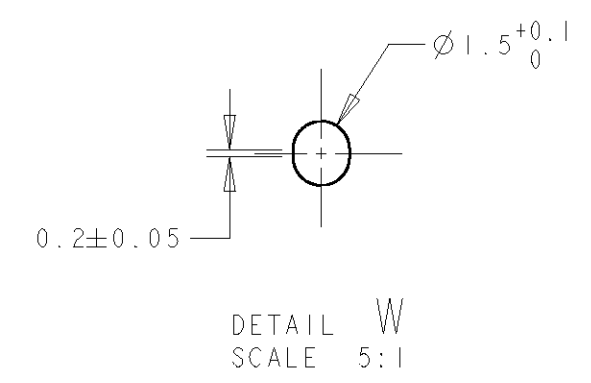
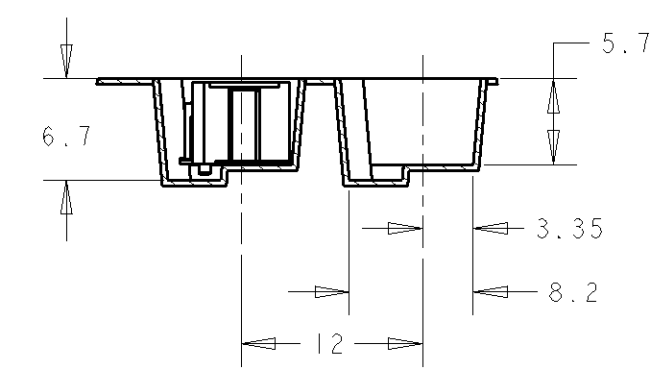
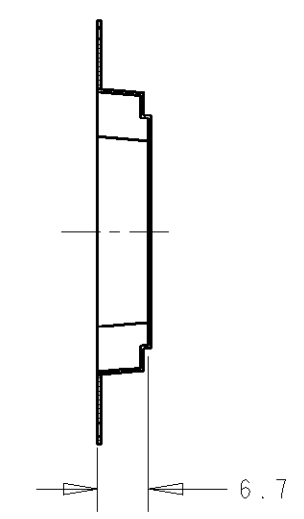
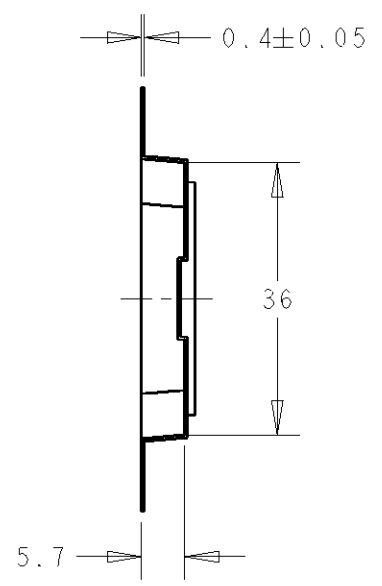
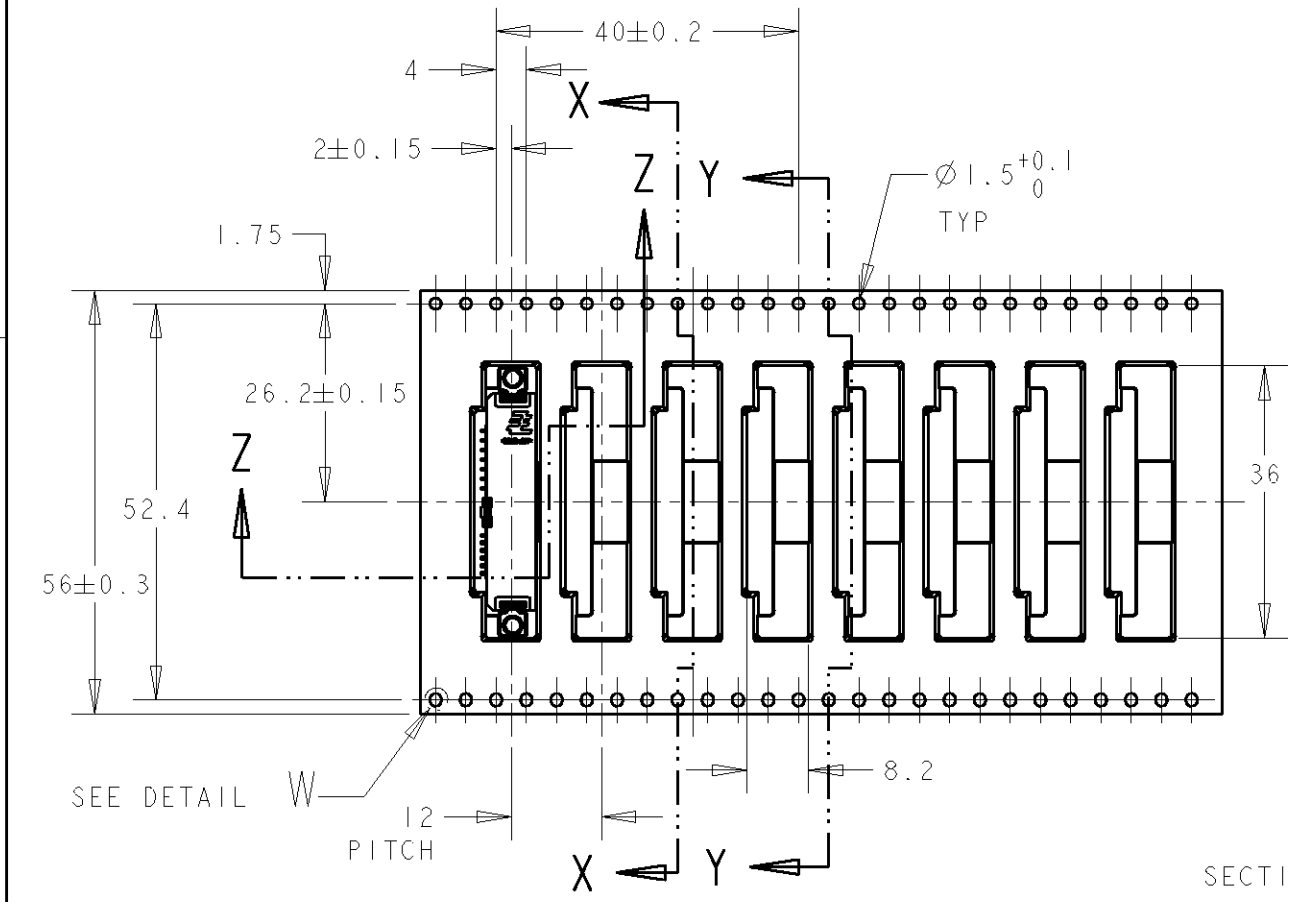


THIS DRAWING IS UNPUBLISHED. RELEASED FOR PUBLICATION .19
 © COPYRIGHT 19 BY AMP INCORPORATED. ALL RIGHTS RESERVED.

LOC	DIST	REVISIONS					
		P	LTR	DESCRIPTION	DATE	DWN	APVD
DY	-	A4		REVISED ECR-08-010019	18APR2008	YKW	LSF

P/N AS SHOWN: 1735471-1, -2, -3



PEELING STRENGTH: 20g TO 70g
 PEELING ANGLE: 165° TO 180°
 PEELING SPEED: 300mm/MINUTE
 QUANTITY PER REEL: 650 PIECES

TRAY		1-1735471-3
TAPE & REEL	0.76µm	1735471-3
PACKAGING TYPE	"A"	PART NO.

THIS DRAWING IS A CONTROLLED DOCUMENT FOR AMP INCORPORATED. IT IS SUBJECT TO CHANGE AND THE CONTROLLING ENGINEERING ORGANIZATION SHOULD BE CONTACTED FOR THE LATEST REVISION.		DWN KW YAP 07AUG2007	Tyco Electronics Corporation Singapore	
DIMENSIONS: mm		CHK SF LEONG	NAME ASSEMBLY SLIMLINE SATA PLUG 7P+6P (HEIGHT= 5.4mm) WITH LOCATING BOSS AND SQUARE M2 SIDE PEGS	
TOLERANCES UNLESS OTHERWISE SPECIFIED: 0 PLC ±0.2 1 PLC ±0.2 2 PLC ±0.2 3 PLC ±0.2 4 PLC ± ANGLES ±1°		APVD SF LEONG	SIZE A3	
MATERIAL		PRODUCT SPEC 108-51075	CAGE CODE 00779	DRAWING NO 1735471
FINISH		APPLICATION SPEC N. A.	SCALE NTS	SHEET 1 OF 5
1		WEIGHT -	REV A4	
		CUSTOMER DRAWING		

4

3

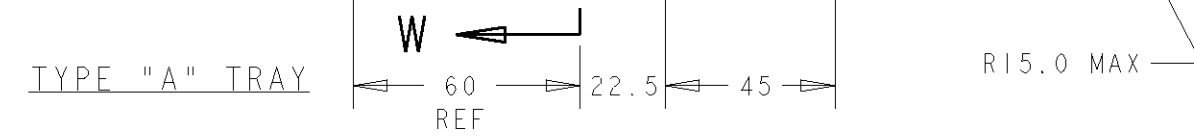
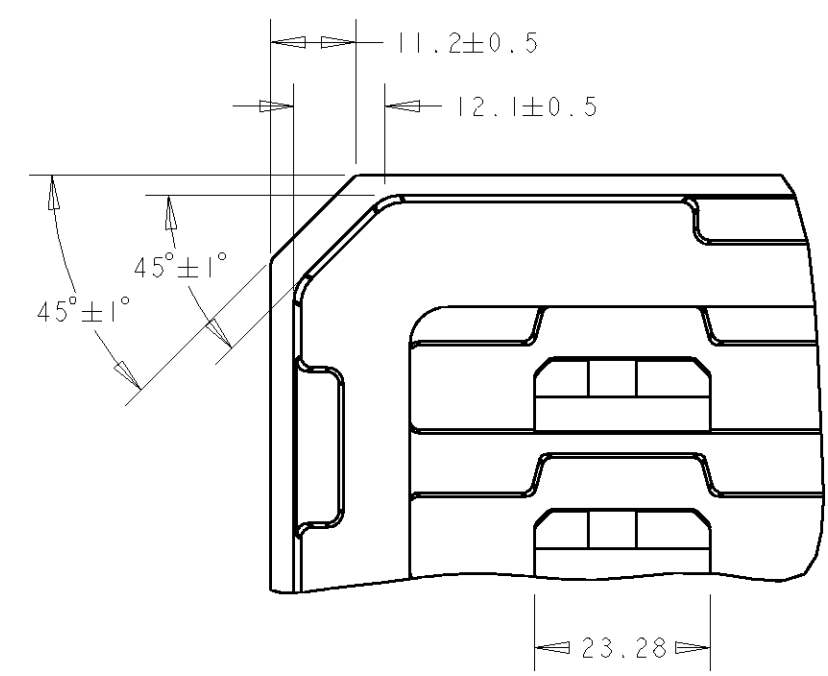
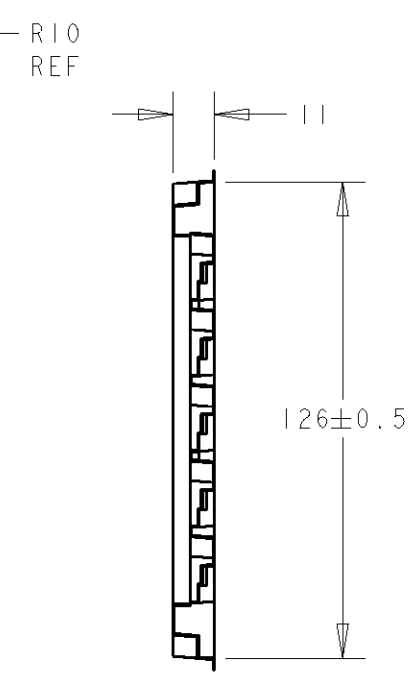
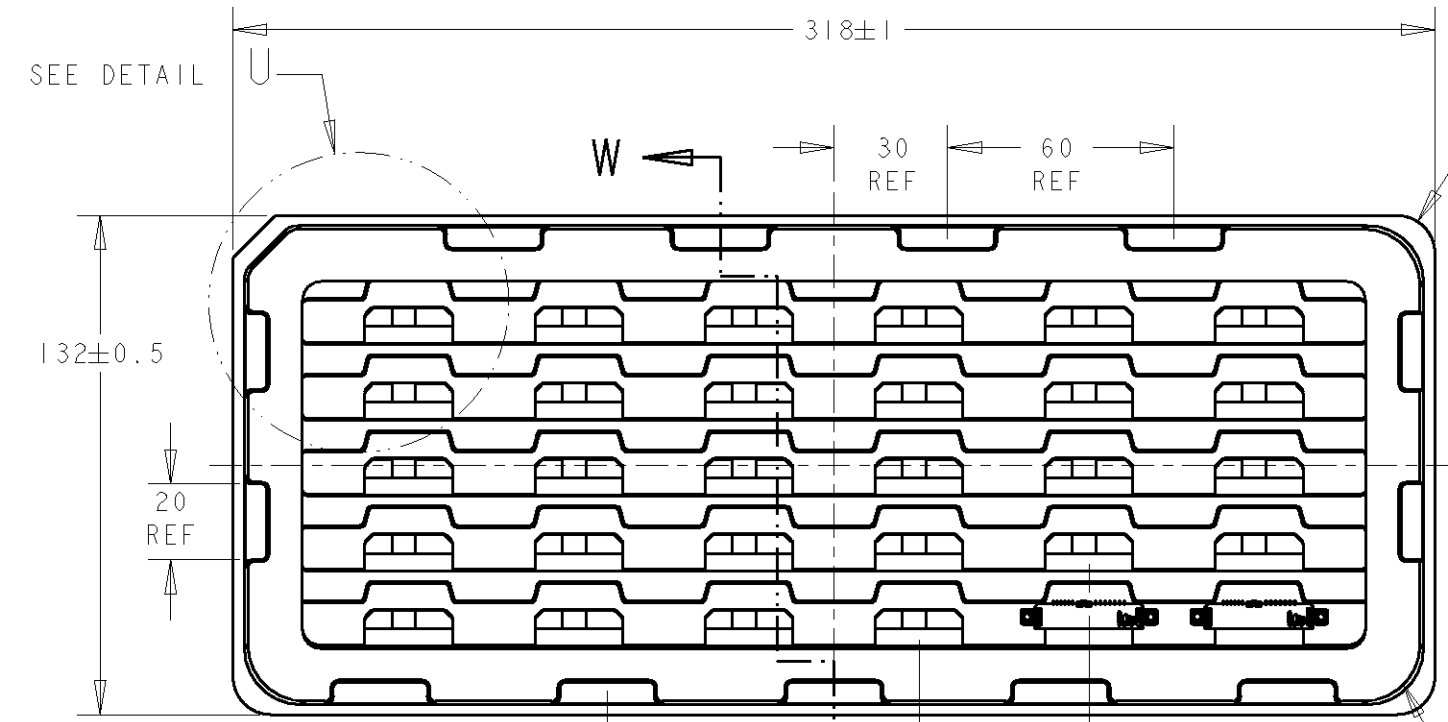
2

1

THIS DRAWING IS UNPUBLISHED. RELEASED FOR PUBLICATION .19
 © COPYRIGHT 19 BY AMP INCORPORATED. ALL RIGHTS RESERVED.

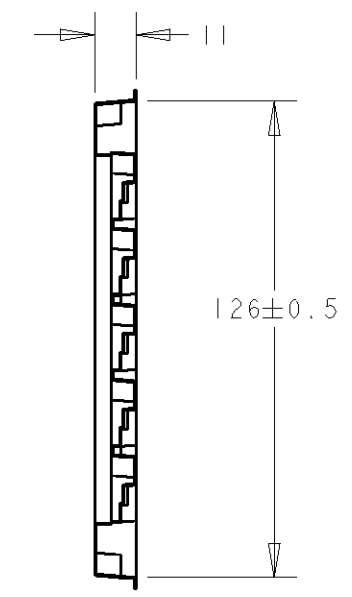
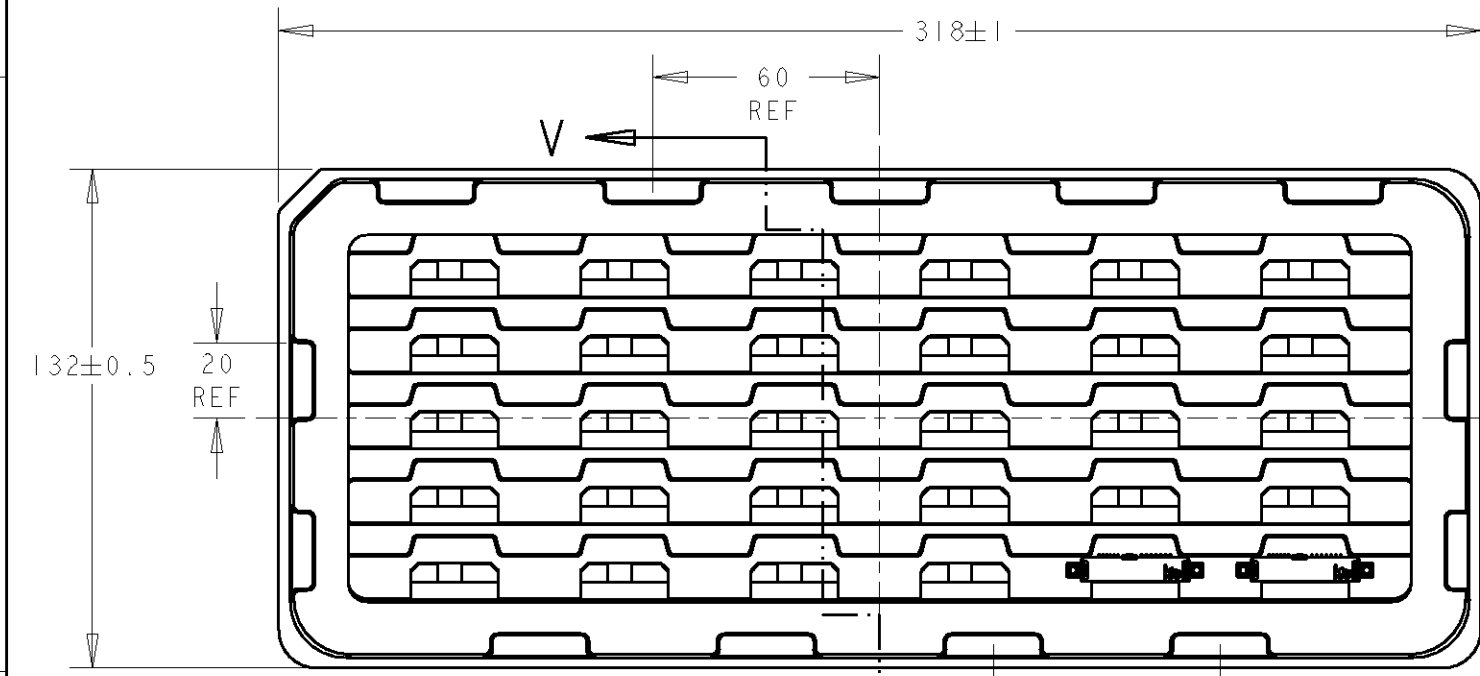
LOC	DIST	REVISIONS			
P	LTR	DESCRIPTION	DATE	DWN	APVD
DY	-	SEE SHEET 1			

P/N AS SHOWN: 1-1735471-1, 1- -2, 1- -3

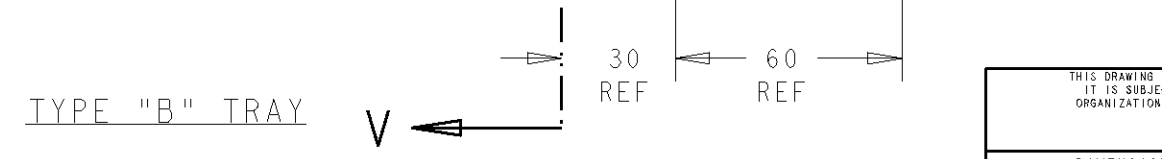


SECTION W-W

DETAIL U
SCALE 1:1



SECTION V-V



<small>THIS DRAWING IS A CONTROLLED DOCUMENT FOR AMP INCORPORATED. IT IS SUBJECT TO CHANGE AND THE CONTROLLING ENGINEERING ORGANIZATION SHOULD BE CONTACTED FOR THE LATEST REVISION.</small>		DWN KW YAP 07AUG2007	Tyco Electronics Corporation Singapore	
DIMENSIONS: mm 		CHK SF LEONG	NAME ASSEMBLY SLIMLINE SATA PLUG 7P+6P (HEIGHT= 5.4mm) WITH LOCATING BOSS AND SQUARE M2 SIDE PEGS	
TOLERANCES UNLESS OTHERWISE SPECIFIED: 0 PLC ±0.2 1 PLC ±0.2 2 PLC ±0.2 3 PLC ±0.2 4 PLC ± ANGLES ±1°		APVD SF LEONG	SIZE A3	
MATERIAL 		PRODUCT SPEC 108-51075	CAGE CODE 00779	DRAWING NO C-1735471
FINISH 		APPLICATION SPEC N. A.	SCALE NTS	SHEET 2 OF 5
		WEIGHT -	REV A4	
		CUSTOMER DRAWING		

4

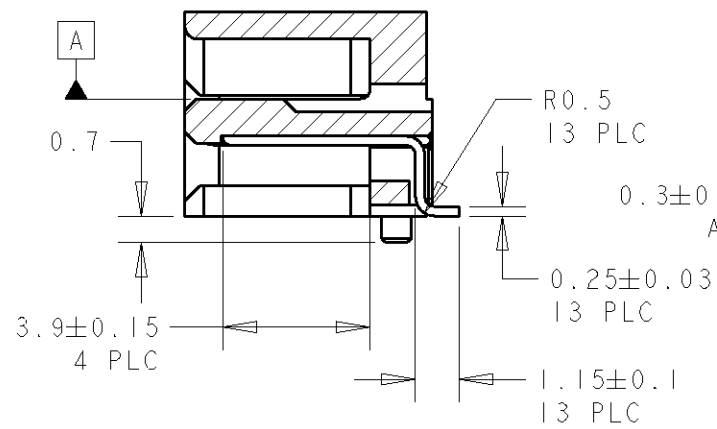
3

2

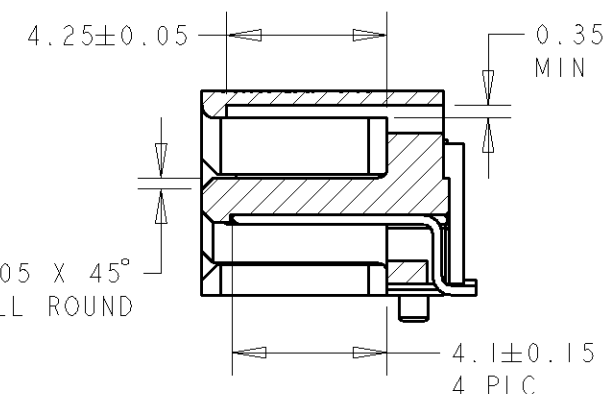
1

THIS DRAWING IS UNPUBLISHED. RELEASED FOR PUBLICATION .19 .
 © COPYRIGHT 19 BY AMP INCORPORATED. ALL RIGHTS RESERVED.

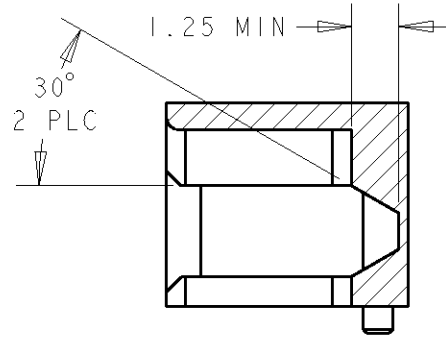
LOC	DIST	REVISIONS			
P	LTR	DESCRIPTION	DATE	DWN	APVD
DY	-	SEE SHEET 1			



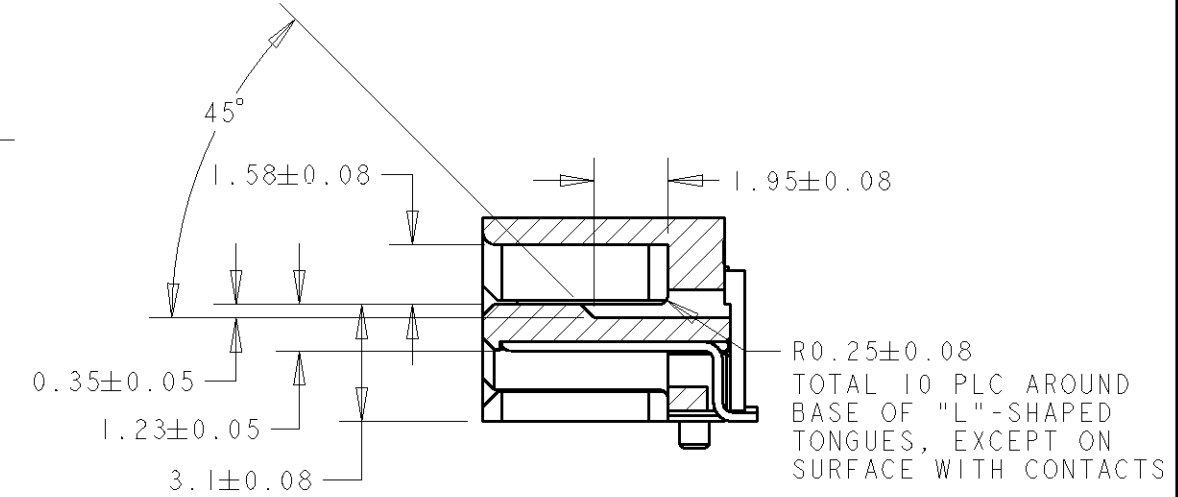
SECTION A-A
SCALE 5:1



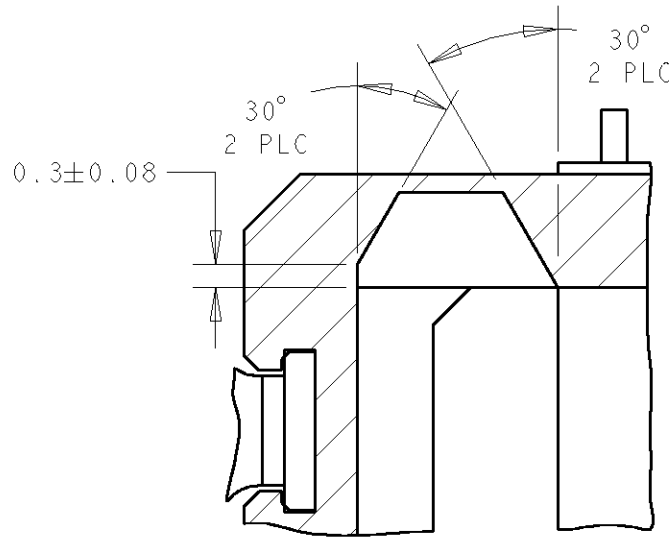
SECTION B-B
SCALE 5:1



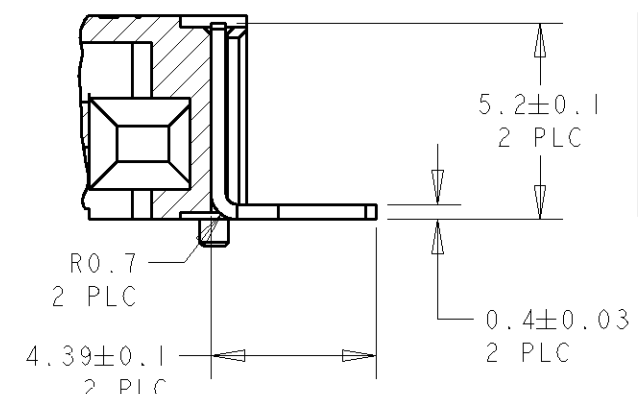
SECTION C-C
SCALE 5:1



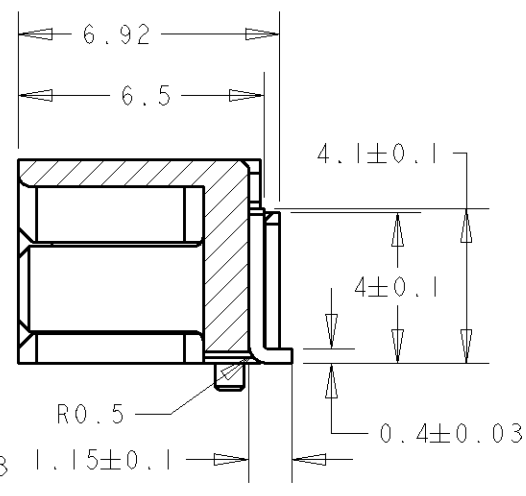
SECTION D-D
SCALE 5:1



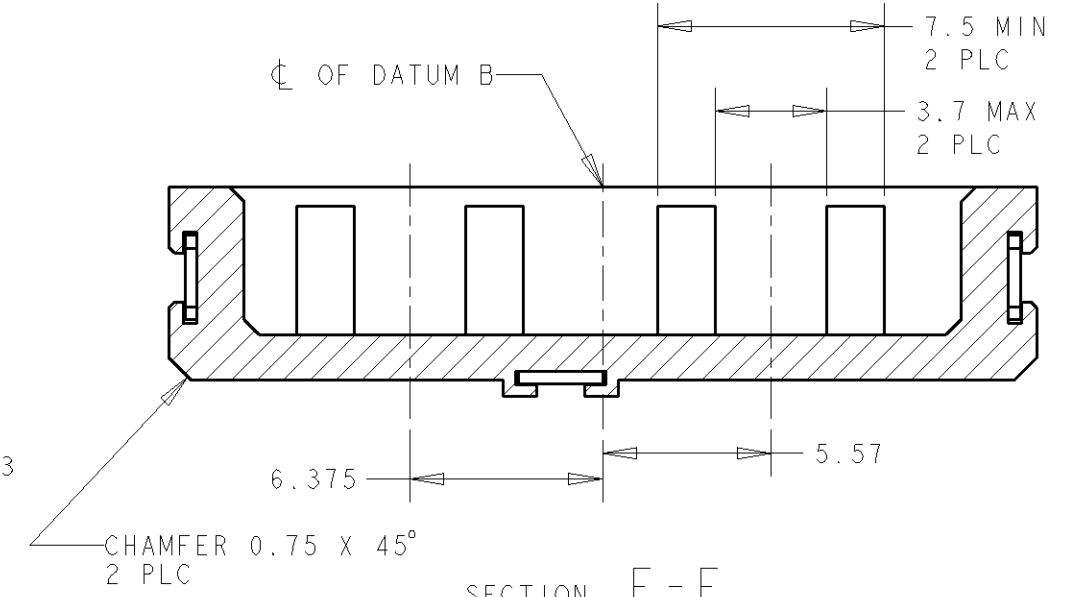
DETAIL C
SCALE 10:1



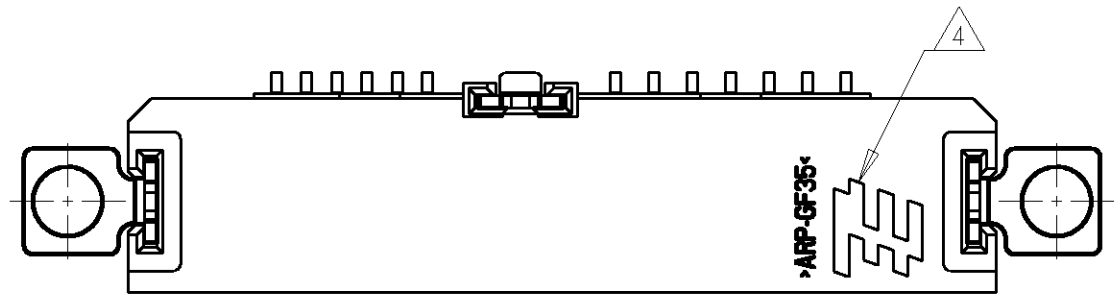
SECTION H-H
SCALE 5:1



SECTION G-G
SCALE 5:1



SECTION E-E



THIS DRAWING IS A CONTROLLED DOCUMENT FOR AMP INCORPORATED. IT IS SUBJECT TO CHANGE AND THE CONTROLLING ENGINEERING ORGANIZATION SHOULD BE CONTACTED FOR THE LATEST REVISION.		DWN KW YAP 07AUG2007	Tyco Electronics Corporation Singapore	
DIMENSIONS: mm	TOLERANCES UNLESS OTHERWISE SPECIFIED:	CHK SF LEONG	NAME ASSEMBLY SLIMLINE SATA PLUG 7P+6P (HEIGHT= 5.4mm) WITH LOCATING BOSS AND SQUARE M2 SIDE PEGS	
	0 PLC ±0.2	APVD SF LEONG	SIZE A3	CAGE CODE 00779
	1 PLC ±0.2	PRODUCT SPEC 108-51075	DRAWING NO C-1735471	
	2 PLC ±0.2	APPLICATION SPEC N. A.	SCALE 4:1	SHEET 4 OF 5
	3 PLC ±0.2	WEIGHT -	REV A4	
	4 PLC ±			
	ANGLES ±1°			
MATERIAL 1	FINISH 2	CUSTOMER DRAWING		

4

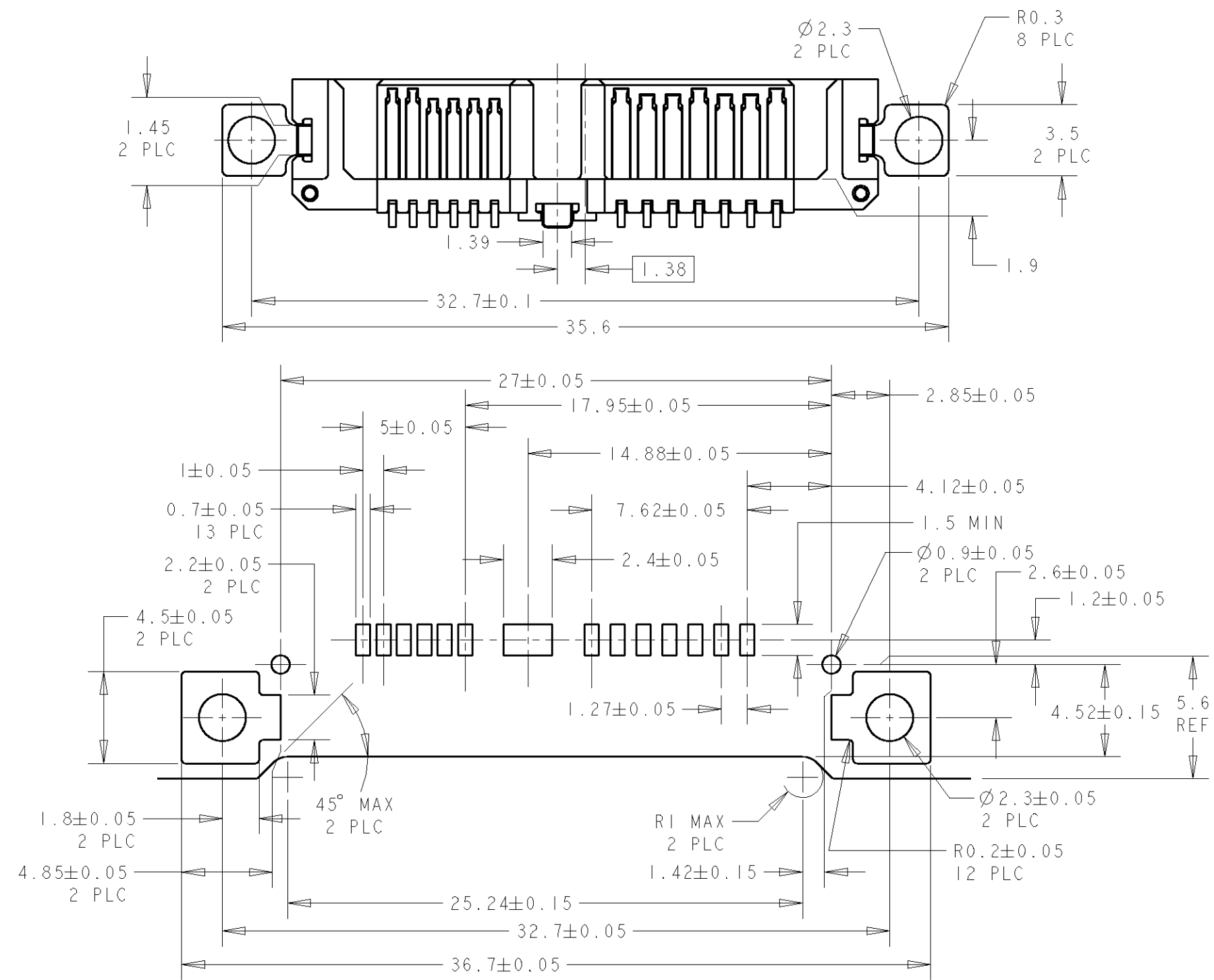
3

2

1

THIS DRAWING IS UNPUBLISHED. RELEASED FOR PUBLICATION .19 .
 © COPYRIGHT 19 BY AMP INCORPORATED. ALL RIGHTS RESERVED.

LOC	DIST	REVISIONS			
P	LTR	DESCRIPTION	DATE	DWN	APVD
DY	-	SEE SHEET 1			



RECOMMENDED PCB LAYOUT
 SCALE 4:1

<small>THIS DRAWING IS A CONTROLLED DOCUMENT FOR AMP INCORPORATED. IT IS SUBJECT TO CHANGE AND THE CONTROLLING ENGINEERING ORGANIZATION SHOULD BE CONTACTED FOR THE LATEST REVISION.</small>		DWN KW YAP 07AUG2007 CHK SF LEONG APVD SF LEONG PRODUCT SPEC 108-51075 APPLICATION SPEC N. A. WEIGHT -	Tyco Electronics Corporation Singapore
DIMENSIONS: mm 	TOLERANCES UNLESS OTHERWISE SPECIFIED: 0 PLC ±0.2 1 PLC ±0.2 2 PLC ±0.2 3 PLC ±0.2 4 PLC ± ANGLES ±1°	NAME ASSEMBLY SLIMLINE SATA PLUG 7P+6P (HEIGHT= 5.4mm) WITH LOCATING BOSS AND SQUARE M2 SIDE PEGS	SIZE A3 CAGE CODE 00779 DRAWING NO. C-1735471
MATERIAL 1 	FINISH 2 	CUSTOMER DRAWING	SCALE 4:1 SHEET 5 OF 5 REV A4