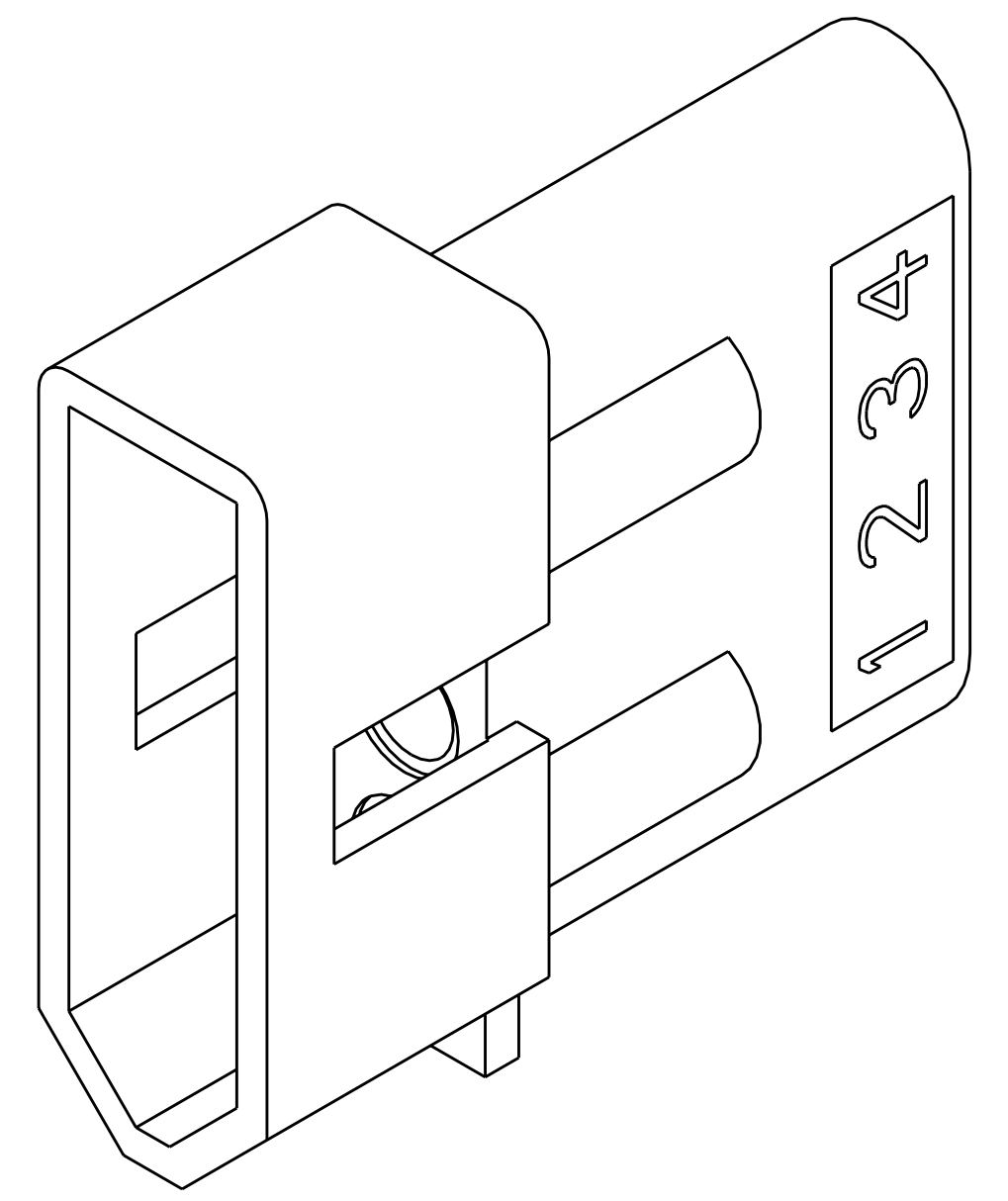
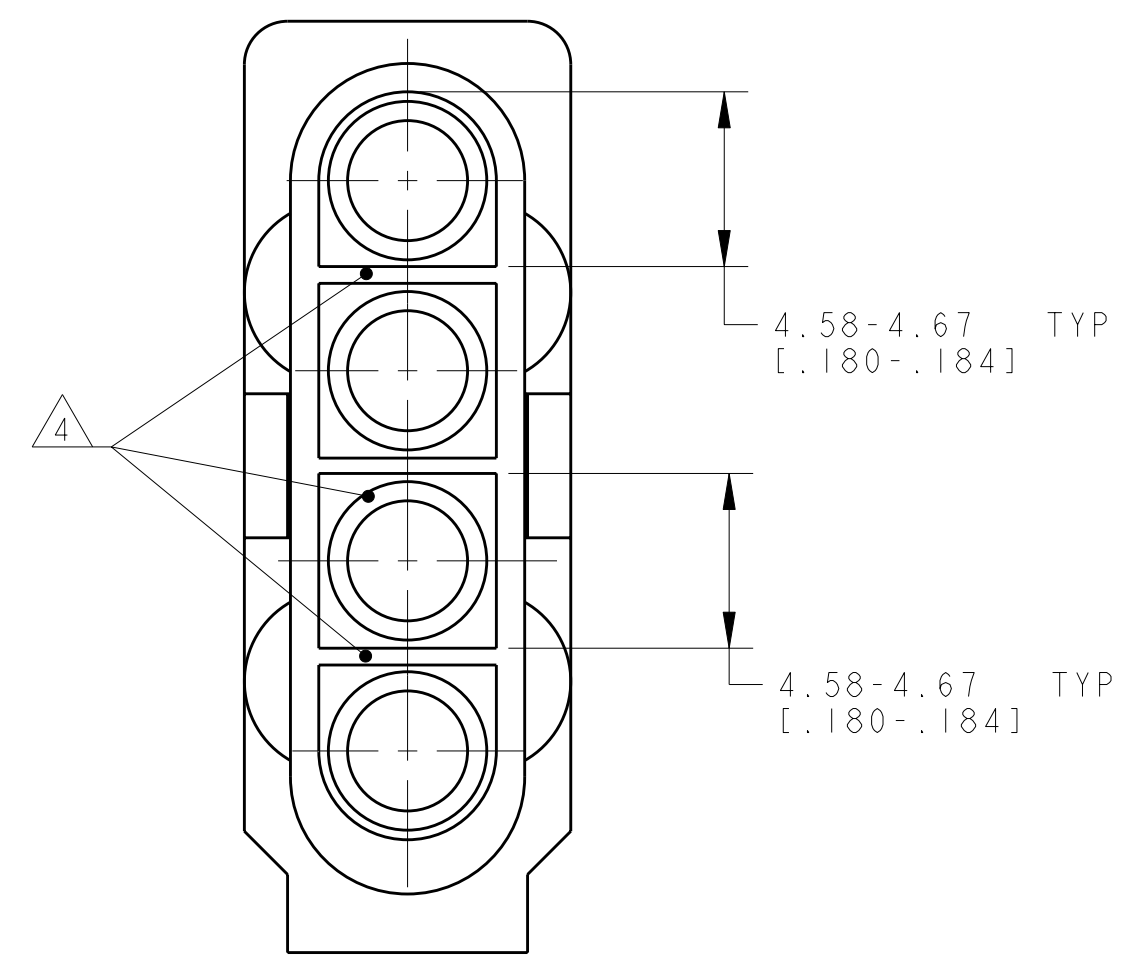
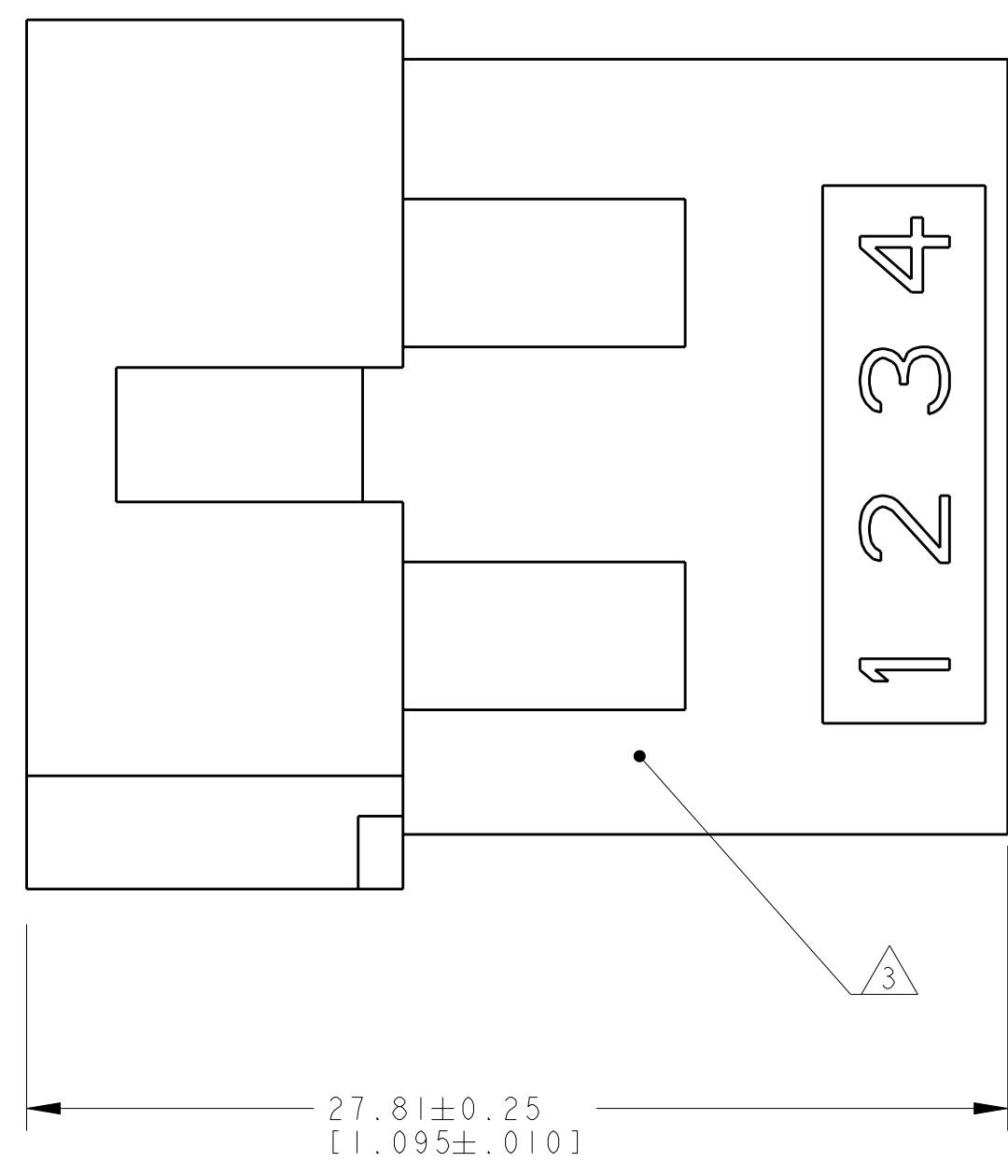
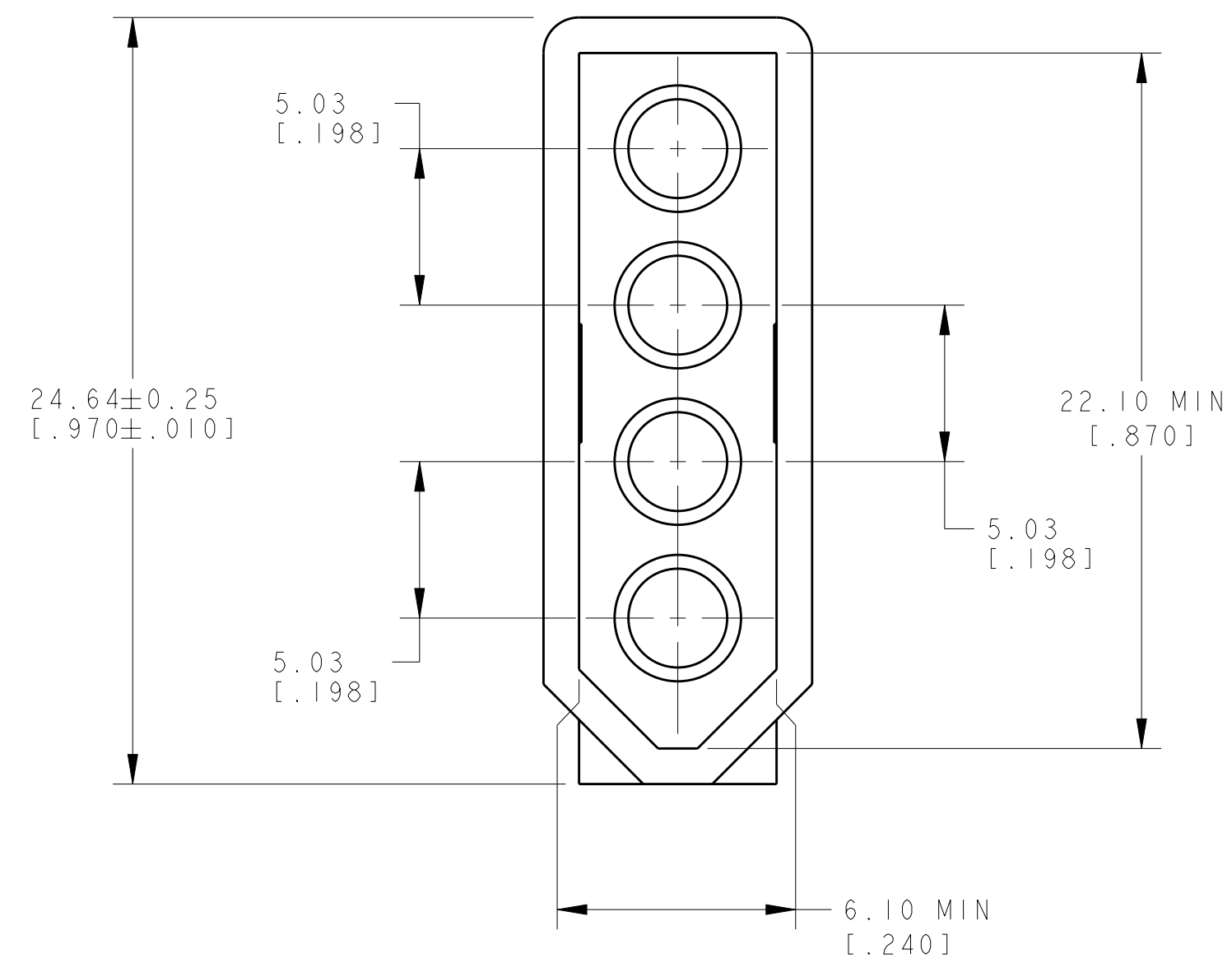


LOC	DIST	REVISIONS			
CM	00	REV	DATE	DWN	APVD
		L	REVIS PER 0638-0540-04	05AUG04	KW DC
		L1	REVIS PER ECO-06-008661	19JUL06	KW DC

- △ MATERIAL: NYLON UL94V-2 (NATURAL).
- 2. MARKING FOR UL AND CSA LOGO SHALL BE LOCATED ON ANY EXTERNAL SURFACE.
- △ AMP LOGO AND CIRCUIT NUMBERS LOCATED IN AREA, EITHER SIDE, SIZE OPTIONAL, FROST BACKGROUND.
- △ WALL THICKNESS TO MEASURE 0.36-0.46 [.014-.018]



**METRIC**

770078-1  
PART NUMBER

<small>THIS DRAWING IS UNPUBLISHED. RELEASED FOR PUBLICATION BY TYCO ELECTRONICS CORPORATION. ALL RIGHTS RESERVED.</small>		DWN: R. WHITAKER 05AUG2004 CHK: D. COLEY 05AUG2004 APVD: D. COLEY 05AUG2004	<b>tyco</b> Electronics Tyco Electronics Harrisburg, PA 17105-3608
DIMENSIONS: mm [INCHES]	TOLERANCES UNLESS OTHERWISE SPECIFIED: 0 PLC ± 1 PLC ± 2 PLC ±0.13 (1.005) 3 PLC ± 4 PLC ± ANGLES ±40° 30'	NAME: PLUG, 4 CIRCUIT, .093 COMMERCIAL PIN AND SOCKET PRODUCT SPEC: APPLICATION SPEC: SIZE: CAGE CODE DRAWING NO: A100779C=770078 WEIGHT:	RESTRICTED TO:
MATERIAL: △ FINISH:		CUSTOMER DRAWING	SCALE: 5:1 SHEET 1 OF 1 REV: L1