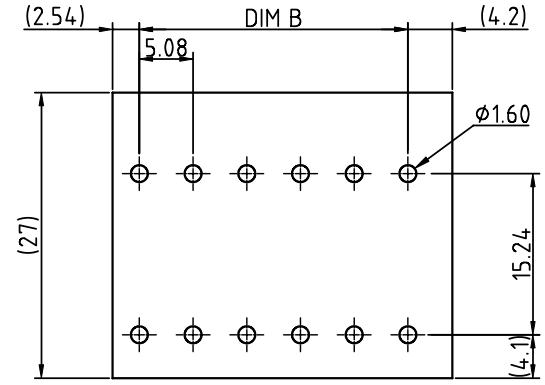
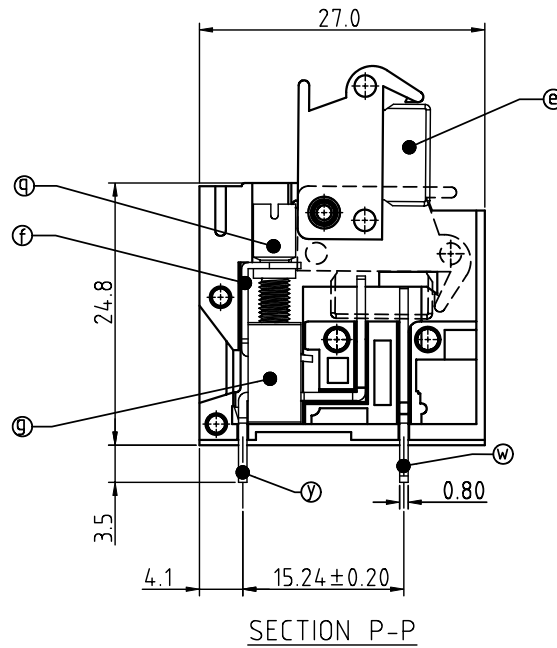
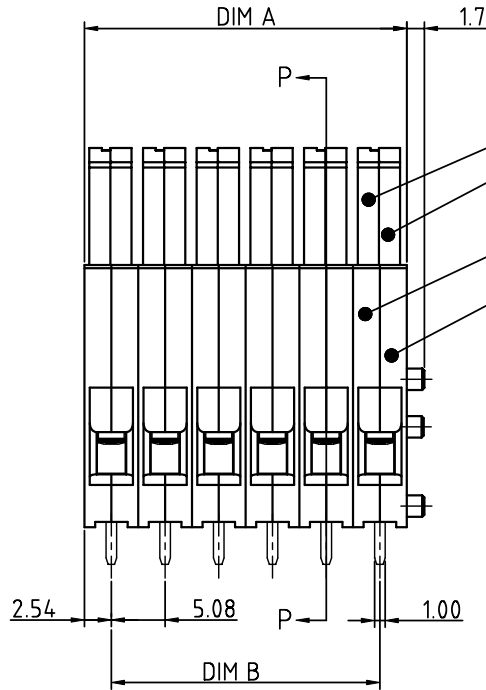


PRODUCT NUMBER	PITCH
VTxx21x000J0G	5.08 mm



RECOMMENDED P.C.B LAYOUT
TOP VIEW

Material:

- Item (a) Left housing : Thermoplastic (UL 94V-0)
 - Item (b) Right housing : Thermoplastic (UL 94V-0)
 - Item (c) Left lever : Thermoplastic (UL 94V-0)
 - Item (d) Right lever : Thermoplastic (UL 94V-0)
 - Item (e) Safety piece: Brass ,Ni plated
 - Item (f) Wire guard : Brass ,Ni plated
 - Item (g) Clamp : Brass ,Ni plated
 - Item (y) Solder pin1 : Brass ,Tin plated
 - Item (w) Solder pin 2: Brass ,Tin plated
 - Item (q) Terminal screw : Steel Zinc plating"-slot type
- Electrical: cULus
- Voltage rating : 300V
 - Current rating : 15A
 - Wire range :
 - Solid wire (AWG) : 12-28
 - Stranded wire(AWG) :12-28
 - Torque(Lb-In) : 3.5
 - Screw : M3
 - Wire strip length :8~9mm
 - Withstanding Voltage : 1.6KV
 - Operating temperature : -40°C+115°C
 - Soldering temperature : 260°C+5°C/5 Sec

Dimension

DIM A	Nx5.08
DIM B	(N-1)x5.08

N=Number of poles

POLES	Tolerance
1p	±0.30
1p-6p	±0.40
7p-12p	±0.60

PART NO.: VT xx 2 1 x 0 00J0 G

	Color	RoHS compliant (lead<4%) In copper Alloy
End stackable	0 Black (RAL9005)	
No. of poles	2 Red (RAL3001/D)	
01 1 poles	3 Orange(RAL2011/P)	
02 2 poles	4 Yellow(RAL1018/A)	
...	5 Green(RAL6018/T)	
12 12 poles	6 Blue (RAL5015/A)	
	8 Grey(RAL7035/D)	
	9 White(RAL1102)	
	C Green(RAL6018/U)	

mat'l. code		surface ASME Y14.5 ✓	tolerance ASME Y14.5	projection	product family
ltr ecn no dr date		tolerances unless otherwise specified		MM	TERMINAL BLOCK
angles		X.±0.5	X.X±0.3	scale	title
X°±1°		X.XX±0.1			TERMINAL BLOCK
dr		EVIN ZHONG	041514	RISING CLAMP,180D WIRE INLET,END STACKABLE	
enrg		EVIN ZHONG	041514	dwg no sheet 1 of 1 size	
chr		HANKE FENG	041514	VTxx21x000J0G A4	
appd		SHI JUN	041514	type CUSTOMER Drawing	
sheet index	revision sheet	A			