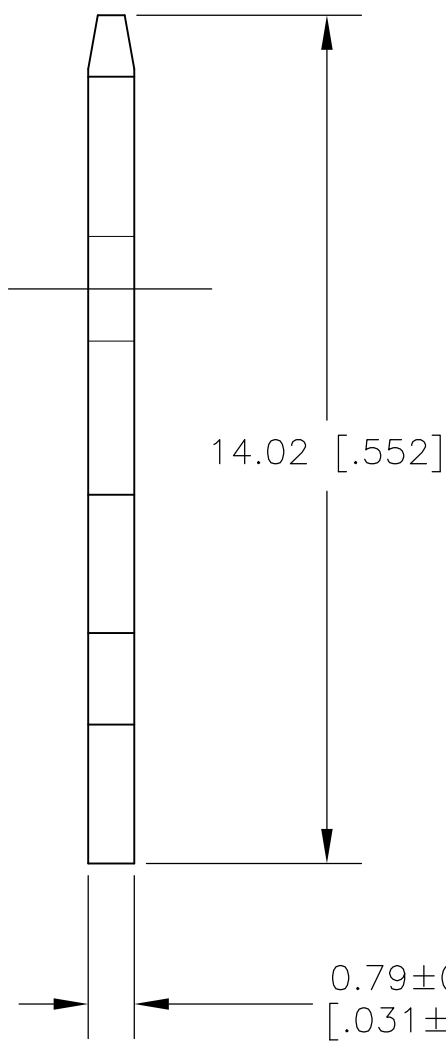
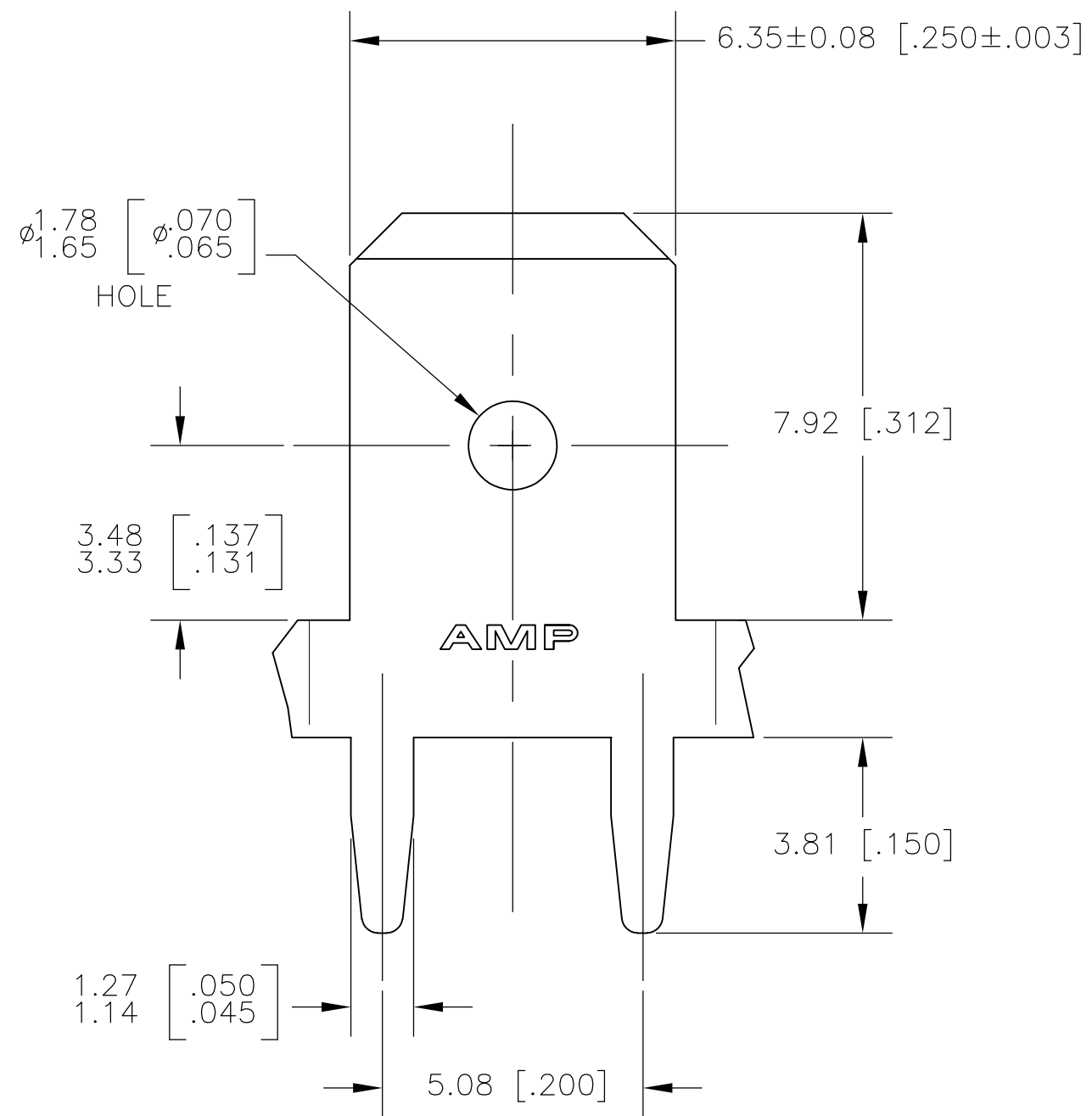
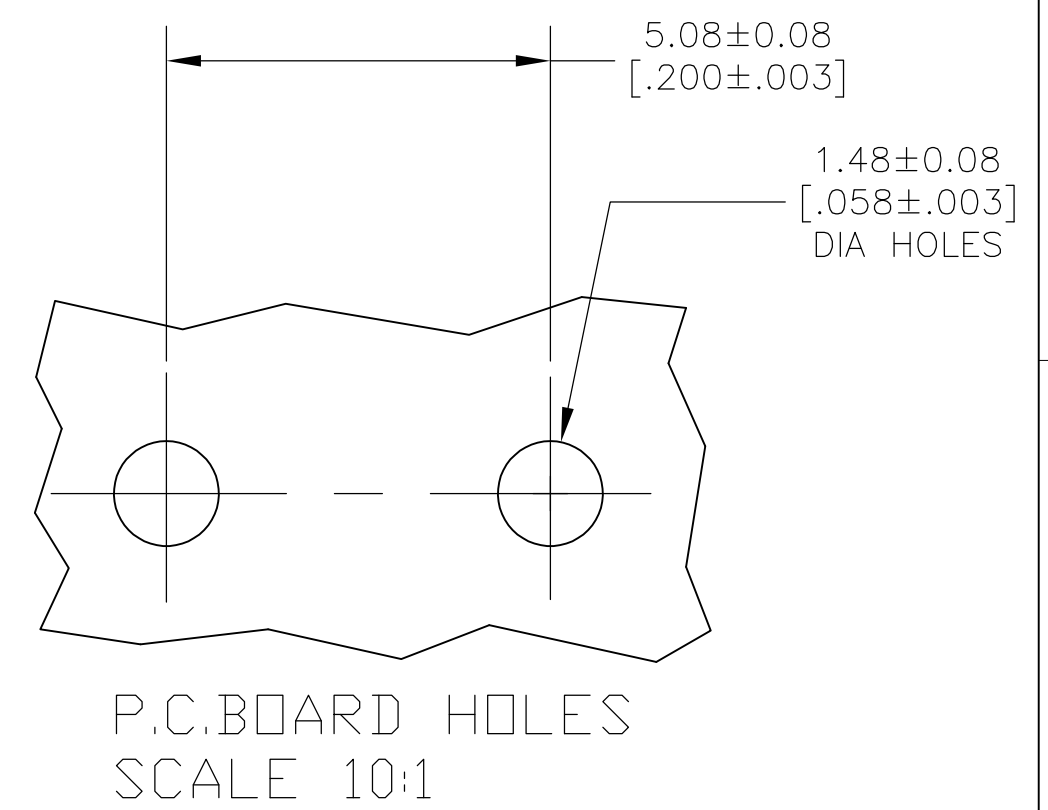


THIS DRAWING IS UNPUBLISHED. RELEASED FOR PUBLICATION  
 © COPYRIGHT BY TYCO ELECTRONICS CORPORATION. ALL RIGHTS RESERVED.

|     |      |           |     |                       |         |     |      |
|-----|------|-----------|-----|-----------------------|---------|-----|------|
| LOC | DIST | REVISIONS |     |                       |         |     |      |
| AF  | 50   | P         | LTR | DESCRIPTION           | DATE    | DWN | APVD |
|     |      |           | D1  | REV PER ECR 10-024705 | 02DEC10 | JR  | PD   |



- 1 CONTINUOUS STRIP ON REELS.
- 2  $\triangle$  0.00381 [.000150] MIN TIN OVER  
 0.00254 [.000100] MIN THK COPPER  
 OR  
 0.00381 [.000150] MIN TIN OVER  
 0.00127 [.000050] MIN NICKEL
- 3 FEED IS  $7.92 \pm 0.076$  [.312 ± .003]



1217539-1  
 PART NUMBER

|   |  |                  |          |   |   |            |  |
|---|--|------------------|----------|---|---|------------|--|
| THIS DRAWING IS A CONTROLLED DOCUMENT.  |  | DWN              | JR RUTH  | 14NOV00                                   | Tyco Electronics Corporation<br>Harrisburg, PA 17105-3608 |            |  |
| DIMENSIONS: MM [INCHES]   |  | CHK              | MS FEHER | 14NOV00                                   |   |            |  |
| TOLERANCES UNLESS OTHERWISE SPECIFIED:  |  | APVD             | G PORTA  | 14NOV00                                   | NAME  |            |  |
| 0 PLC ± -<br>1 PLC ± -<br>2 PLC ± 0.25 [.010]<br>3 PLC ± -<br>4 PLC ± -<br>ANGLES ± - |  | PRODUCT SPEC     |          | TAB, FASTON, PC BOARD, 6.35 [.250] SERIES |   |            |  |
| MATERIAL  |  | APPLICATION SPEC |          | RESTRICTED TO                             |   |            |  |
| 082 BRASS   |  | 114-2115         |          | SIZE                                      | CAGE CODE   | DRAWING NO |  |
| FINISH  |  | WEIGHT           |          | A3  | 00779   | G-1217539  |  |
| TIN OVER COPPER   |  | CUSTOMER DRAWING |          | SCALE                                     | SHEET   | REV        |  |
|   |  |                  |          | 8:1                                       | 1 OF 1  | D1         |  |