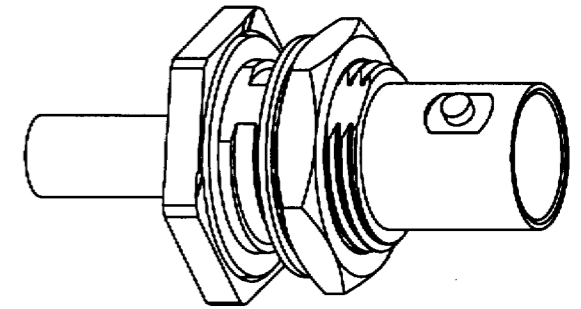


NOTES;

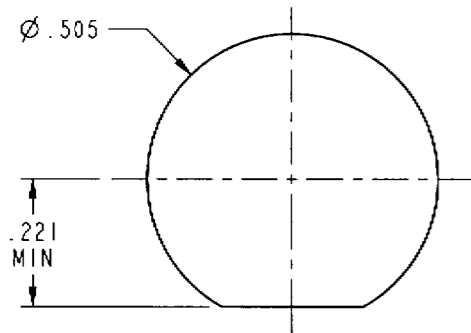
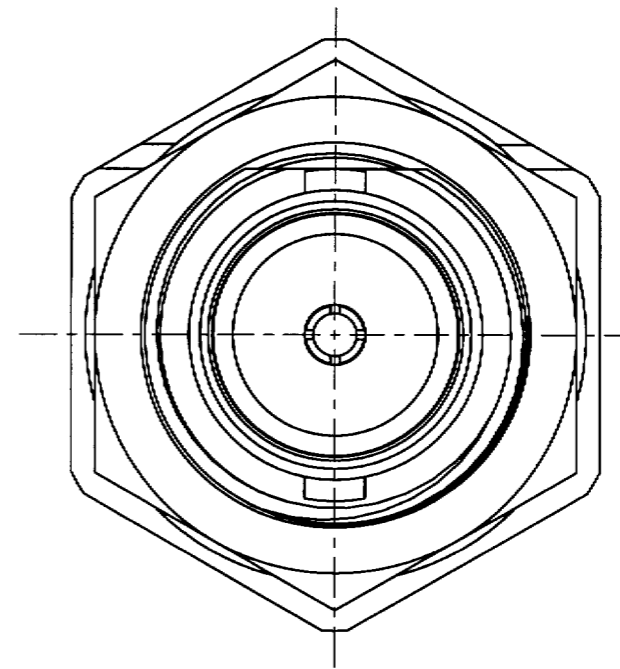
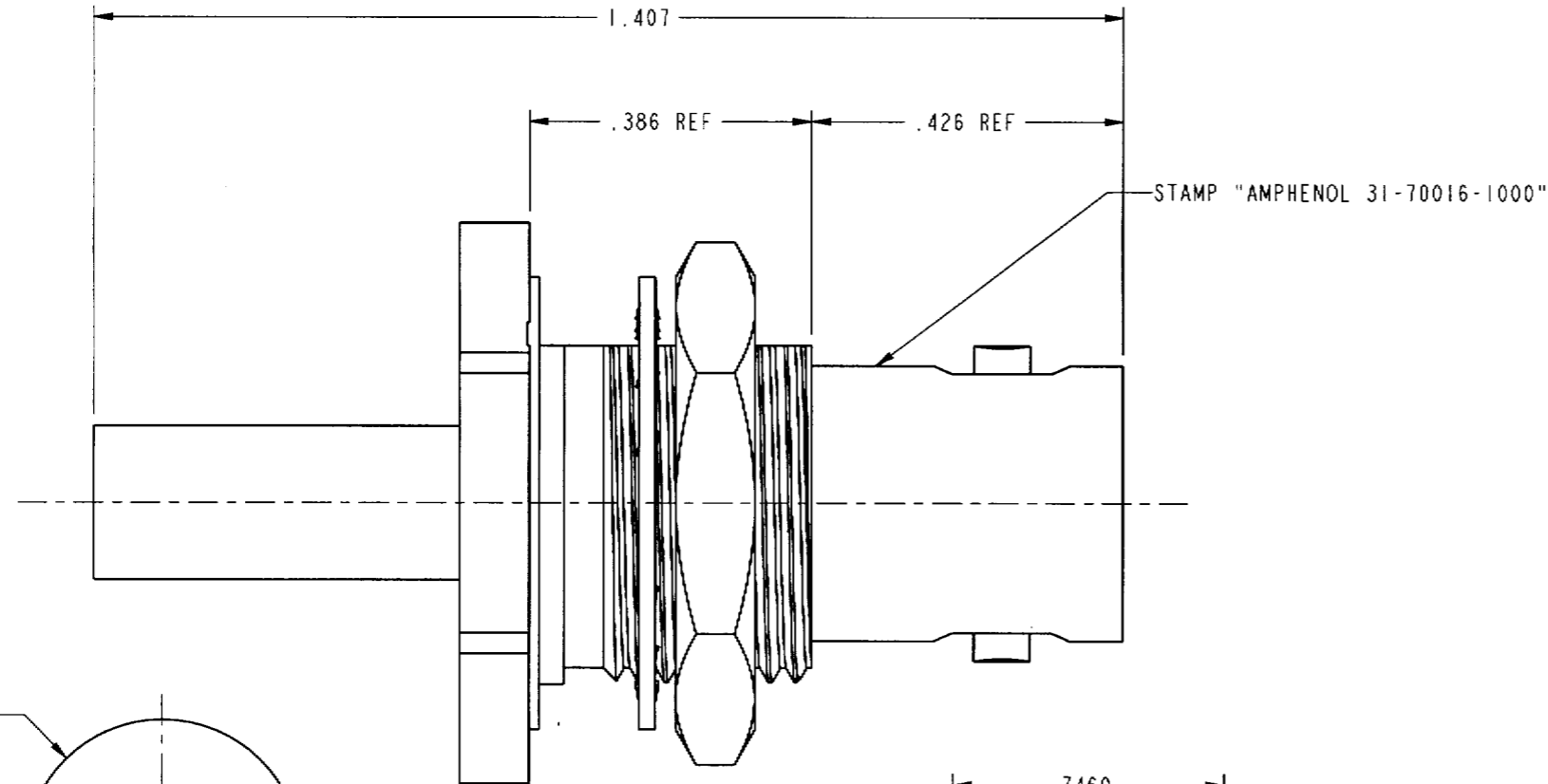
- MATERIALS OF CONSTRUCTION:
 BODY, LOCKING RING, & NUT = BRASS, NICKEL PLATED
 CONTACT = PHOSPHOR BRONZE, GOLD PLATED
 INSULATORS (2) = TEFLON, MIL-P-19468
 OUTER FERRULE = SEAMLESS COPPER TUBING, NICKEL PLATED
 LOCKWASHER = PHOSPHOR BRONZE, NICKEL PLATED
- CUSTOMER NOTE: WHEN SOLDERING CONTACT TO CABLE, ROSIN CORE SOFT SOLDER PER QQ-S-571 Sn60 IS RECOMMENDED.
- CRIMP WITH AMPHENOL TOOL 227-944 (M22520/5-01) AND DIE SET 227-980-2 CAVITY B.
- CRIMP WITH AMPHENOL TOOL 227-944 (M22520/5-01) AND DIE SET 227-980-2 CAVITY A.

31-70016-1000
 DRAWING NO.
 THIRD ANGLE PROJ.

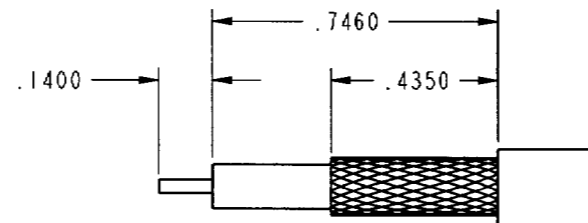
REVISIONS				
REV	DESCRIPTION	DATE	ECO	APPR
--	RELEASE TO MFG.			
C	SEE SHEET 1	1/4/01	43587	CPM
D	SEE SHEET 1	1-25-01	43659	CPM



SCALE 2.000



RECOMMENDED MOUNTING HOLE DIMENSIONS
 SCALE 3.000



RECOMMENDED CABLE STRIPPING DIMENSIONS
 SCALE 2.000

CUSTOMER OUTLINE DRAWING FOR REFERENCE ONLY

UNLESS OTHERWISE SPECIFIED, DIMENSIONS ARE IN INCHES AND TOLERANCES ARE: 2 PLACE DECIMAL ±.015 (0.381 mm) 3 PLACE DECIMAL ±.005 (0.127 mm) ANGLES ± 1°	MATERIAL	DRAWN C. McGRATH DATE 29-Nov-00	TITLE BNC BULKHEAD JACK 75 OHM AT&T KSI9224-L2 CABLE		Amphenol Amphenol Corporation Communication and Network Products Division Danbury, CT U.S.A. 06810 SCALE: 4.0:1 SHEET 2 OF 2		
	NOTICE - These drawings, specifications, or other data (1) are, and remain the property of Amphenol Corp. (2) must be returned upon request; and (3) are confidential and not to be disclosed to any person other than those to whom they are given by Amphenol Corp. The furnishing of these drawings, specifications, or other data by Amphenol Corp., or to any other person to anyone for any purpose is not to be regarded by implication or otherwise in any manner licensing, granting rights or permitting such holder or any other person to manufacture, use or sell any product, process or design, patented or otherwise, that may in any way be related to or disclosed by said drawings, specifications, or other data.	REFERENCE GEN# ASSYF5_BNC75	ENGINEER O. BARTHELMES DATE 29-Nov-00	APPROVED O. BARTHELMES DATE 12/6/00		CODE ID 74868	DWG SIZE B