

THE INFORMATION CONTAINED HEREIN IS CONSIDERED "PROPRIETARY" TO BEL FUSE INC. AND SHALL NOT BE COPIED, REPRODUCED OR DISCLOSED WITHOUT THE WRITTEN APPROVAL OF BEL FUSE INC.

RoHS
2002/95/EC



ELECTRICAL CHARACTERISTICS @ 25°C

URNS RATIO

TP1	1CT : 1CT ±2%
TP2	1CT : 1CT ±2%
TP3	1CT : 1CT ±2%
TP4	1CT : 1CT ±2%

□CL @ 100kHz/100mVRMS

8mA DC BIAS 350µH MIN.

INS. LOSS

0.1MHz TO 1MHz	-1.1 dB MAX
1MHz TO 65MHz	-0.5 dB MAX
65MHz TO 100MHz	-0.8 dB MAX
100MHz TO 125MHz	-1.2 dB MAX

RET. LOSS (MIN)

0.5MHz-40MHz	-18 dB
40MHz-100MHz	-12+20LOG(f/80MHz) dB

CM TO CM REJ

100kHz - 100MHz -30 dB MIN

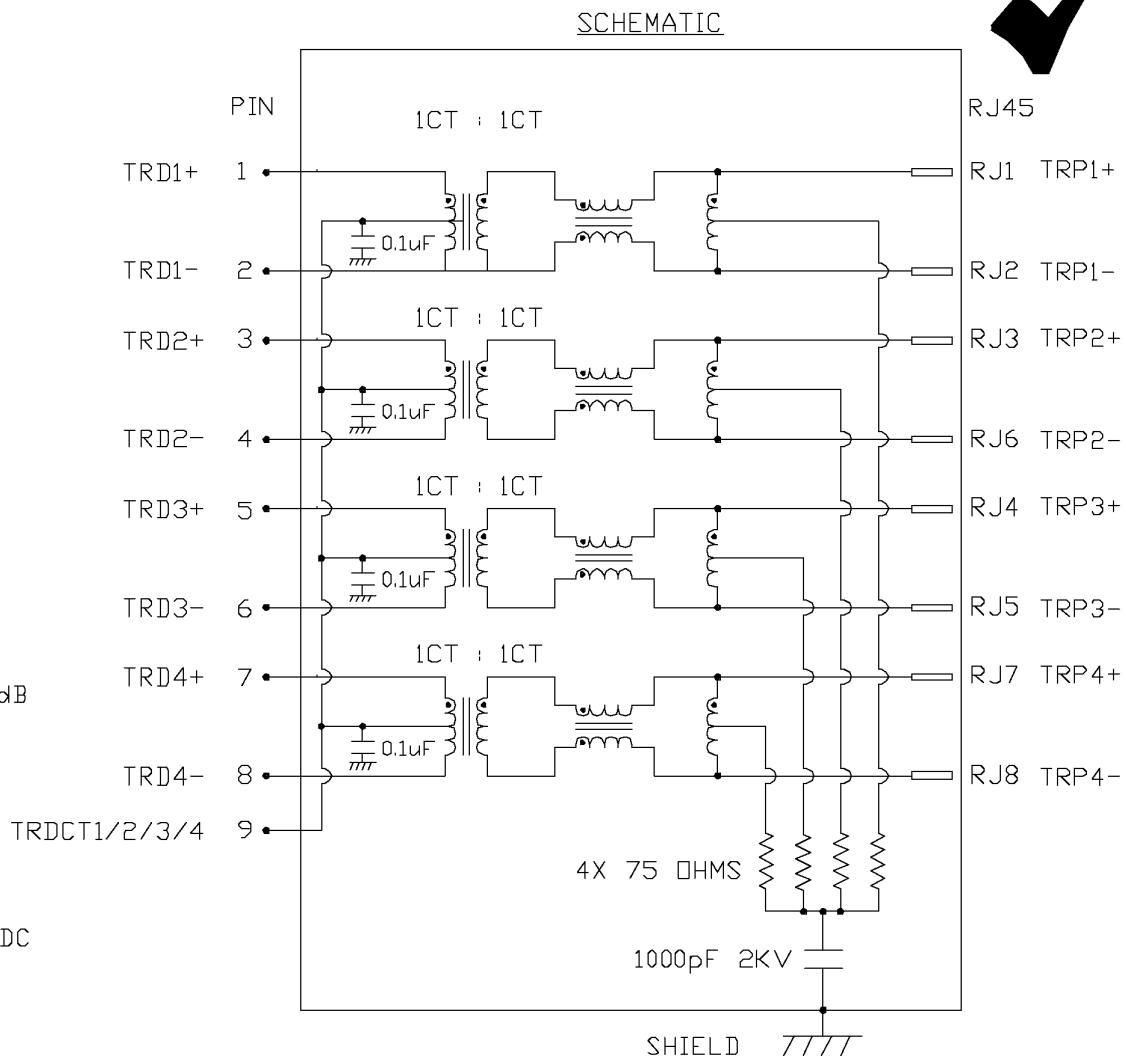
CM TO DM REJ

100kHz - 100MHz -35 dB MIN

HIPOT (Isolation Voltage): 1500 Vrms or 2250VDC

NOTES:

SCHEMATIC & ELECTRICAL CHARACTERISTICS ARE IDENTICAL FOR PORT 1 & PORT 2.



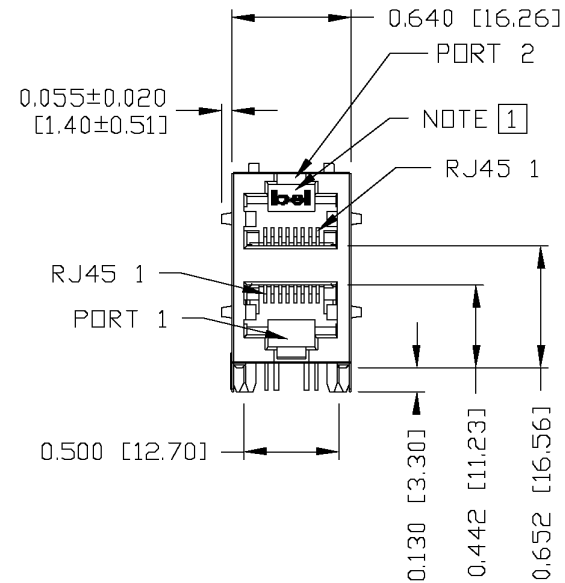
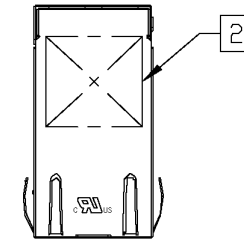
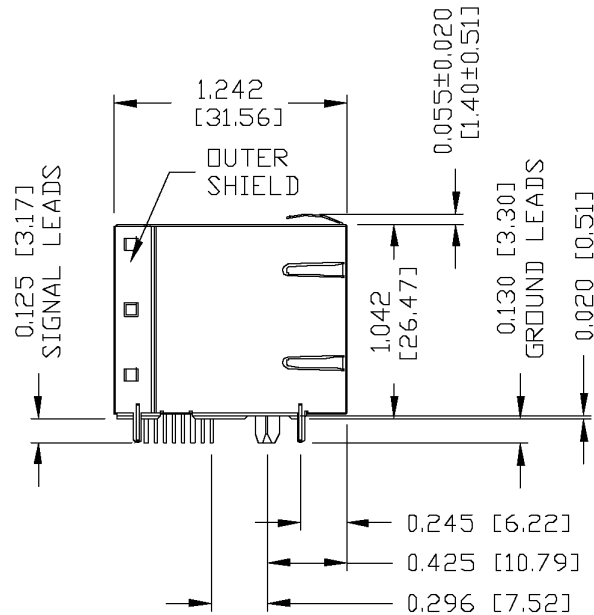
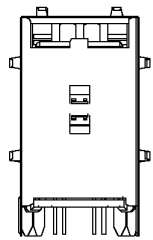
ORIGINATED BY	DATE	TITLE	PART NO. / DRAWING NO.	STANDARD DIM.	[] METRIC DIM. AS REFERENCE	 COMPONENTS ON A CONNECTED PLANET
CHUNG	11-28-06	2X1 gigabit MagJack®	08332X1T33-F	TOL. IN INCH	UNIT : INCH [mm]	
DRAWN BY	DATE	(12 Cores)	FILE NAME	.X	SCALE : N/A	
DE	11-28-06	0833-2X1T-33-F	08332X1T33-FA.DWG	.XX	SIZE : A4	
				.XXX		PAGE : 2

DC002(2)032305

This document is electronically generated. This is a controlled copy if used internally

THE INFORMATION CONTAINED HEREIN IS CONSIDERED "PROPRIETARY" TO BEL FUSE INC. AND SHALL NOT BE COPIED, REPRODUCED OR DISCLOSED WITHOUT THE WRITTEN APPROVAL OF BEL FUSE INC.

RoHS
2002/95/EC



NOTES:

PLASTIC HOUSING: THERMOPLASTIC PBT
 FLAMMABILITY RATING UL 94V-0
 CONTACT PLATING: 50 MICRO-INCH HARD GOLD PLATING
 OUTPUT PINS: TIN-COATED COPPER WIRE, DIA 0.018 INCH.
 METAL SHIELD: NICKEL PLATED ON COPPER ALLOY.
 (ALL GROUND LEADS ARE SOLDER DIPPED)

- [1] JACK CAVITY CONFORMS TO FCC RULES AND REGULATIONS, PART 68 SUBPART F.
 [2] MARK PART WITH MFG LOGO, MFG NAME, PART NUMBER, AND DATE CODE.
 c us UL RECOGNIZED - FILE #E196366 AND E169987.
 RoHS COMPLIANT, PER EU DIRECTIVE 2002/95/EC

ORIGINATED BY	DATE	TITLE	PART NO. / DRAWING NO.	STANDARD DIM. TOL. IN INCH	[] METRIC DIM. AS REFERENCE	 COMPONENTS ON A CONNECTED PLANET	
QIN	11-28-06	2X1 gigabit MagJack® (12 Cores)	08332X1T33-F	.X	UNIT : INCH [mm]		REV. : A
DRAWN BY	DATE		FILE NAME	.XX	SCALE : N/A		SIZE : A4
TING	11-28-06	0833-2X1T-33-F	08332X1T33-FA.DWG	.XXX ±0.010	 PAGE : 3		

DC002(2)032305

This document is electronically generated. This is a controlled copy if used internally

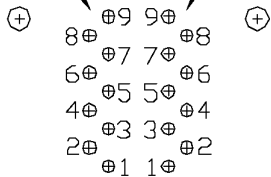
THE INFORMATION CONTAINED HEREIN IS CONSIDERED "PROPRIETARY" TO BEL FUSE INC. AND SHALL NOT BE COPIED, REPRODUCED OR DISCLOSED WITHOUT THE WRITTEN APPROVAL OF BEL FUSE INC.

RoHS
2002/95/EC



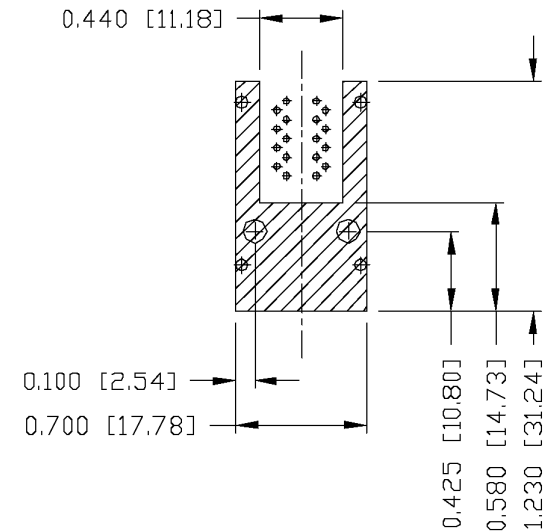
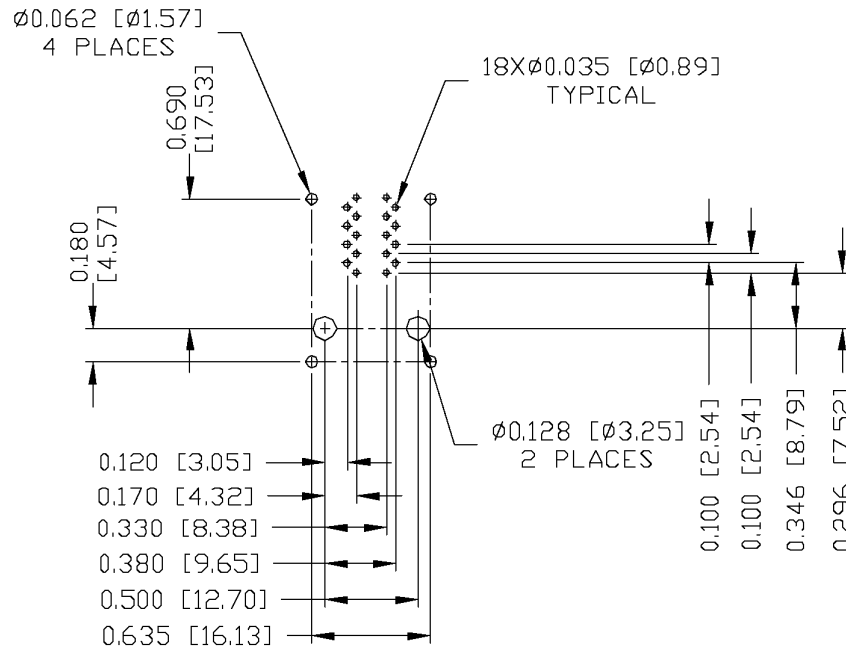
SUGGESTED FOOTPRINT
(COMPONENT SIDE VIEW)

PORT 1 PORT 2



PIN-OUT INFORMATION
(COMPONENT SIDE VIEW)

1	TRD 1+
2	TRD 1-
3	TRD 2+
4	TRD 2-
5	TRD 3+
6	TRD 3-
7	TRD 4+
8	TRD 4-
9	TRDCT 1/2/3/4



NOTES:

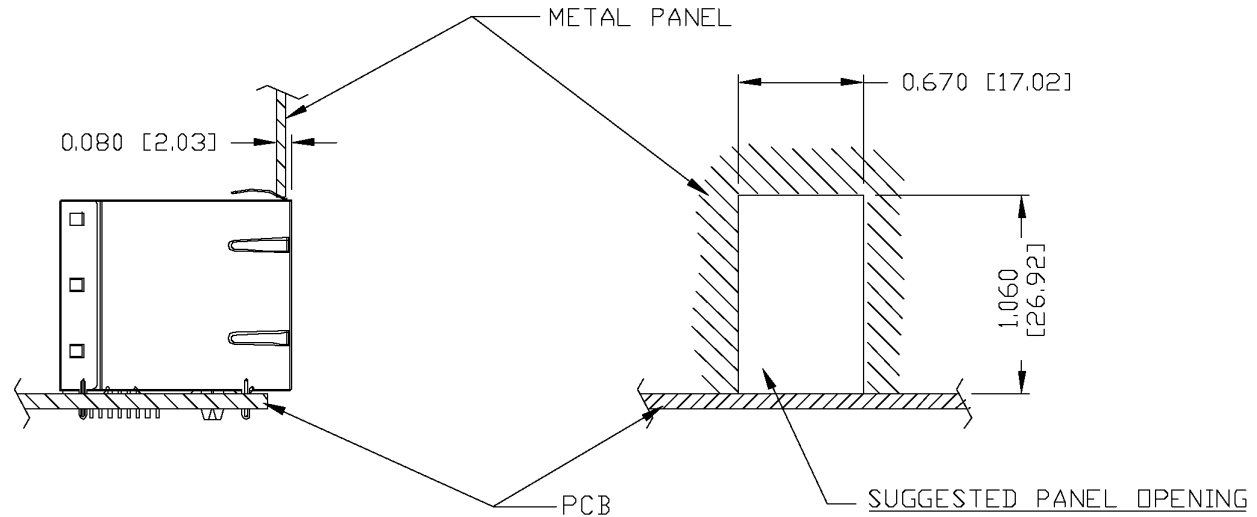
THE SHADED AREA ON THE CUSTOMER BOARD ARE RECOMMENDED TO BE CLEAR OFF ANY VIA HOLE OR COMPONENT PAD.

ORIGINATED BY QIN	DATE 11-28-06	TITLE 2X1 gigabit MagJack® (12 Cores) 0833-2X1T-33-F	PART NO. / DRAWING NO. 08332X1T33-F	STANDARD DIM. TOL. IN INCH	[] METRIC DIM. AS REFERENCE
	DRAWN BY TING		DATE 11-28-06	FILE NAME 08332X1T33-FA.DWG	.X .XX .XXX ±0.004



THE INFORMATION CONTAINED HEREIN IS CONSIDERED 'PROPRIETARY' TO BEL FUSE INC. AND SHALL NOT BE COPIED, REPRODUCED OR DISCLOSED WITHOUT THE WRITTEN APPROVAL OF BEL FUSE INC.

RoHS
2002/95/EC



NOTE:

THE DISTANCE OF PANEL INSIDE SURFACE RELATIVE TO FRONT SURFACE OF PART IS ONLY A SUGGESTION. IN CASE THIS DISTANCE IS DIFFERENT, THE REQUIRED PANEL OPENING DIMENSIONS CHANGE ACCORDINGLY.

PACKING INFORMATION

PACKING TRAY: 0200-0148-35 (TOP)
0200-0148-34 (BOTTOM)

PACKING QUANTITY: 40 PCS FINISHED GOODS PER TRAY
7 TRAYS (280 PCS FINISH GOODS) PER CARTON BOX.

NOTE: CARDBOARD ARE PLACED BETWEEN LAYERS OF PACKING TRAY INSIDE CARTON BOX.
(INCLUDE THE UPPERMOST AND LOWEREST TRAY)

ORIGINATED BY	DATE	TITLE	PART NO. / DRAWING NO.	STANDARD DIM. TOL. IN INCH	[] METRIC DIM. AS REFERENCE	 COMPONENTS OR A CONNECTED PLANET	
QIN	11-28-06	2X1 gigabit MagJack® (12 Cores)	08332X1T33-F	.X	UNIT : INCH [mm]		REV. : A
DRAWN BY	DATE		FILE NAME	.XX	SCALE : N/A		SIZE : A4
TING	11-28-06	0833-2X1T-33-F	08332X1T33-FA.DWG	.XXX ±0.004			PAGE : 5