

6

5

4

3

2

1

E

E

D

D

C

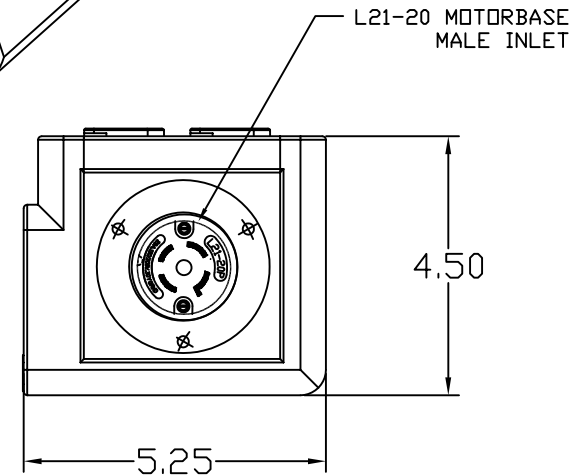
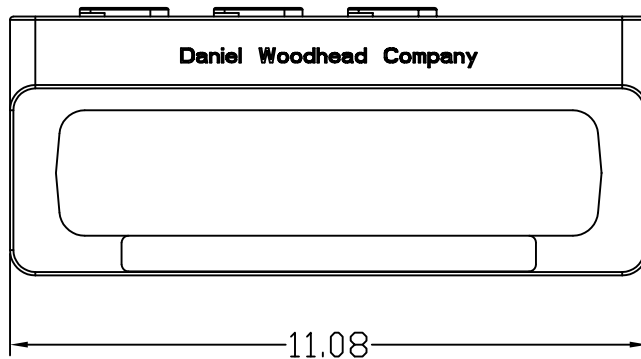
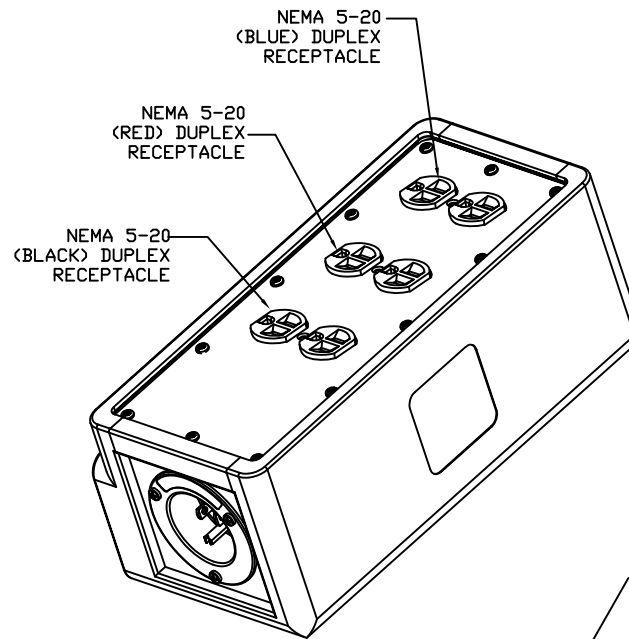
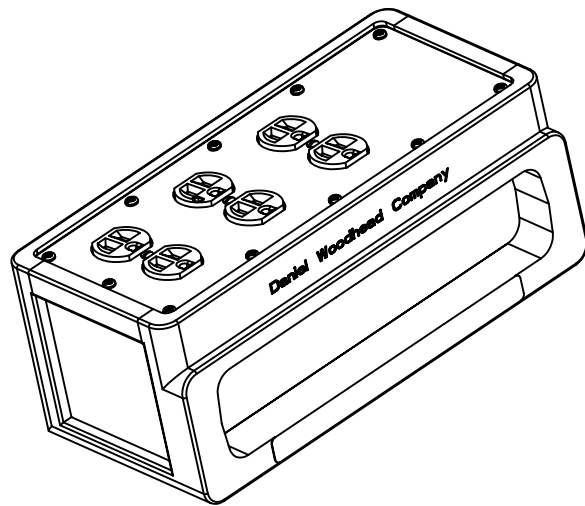
C

B

B

A

A



THIS DRAWING APPLIES TO MULTIPLE OUTLET BOX WITH NO PROTECTION,  
 3400 SERIES: 3403P, 3403PL, 3403P-20 & 3403PL-20.  
 "L" INDICATES FLIP LIDS.  
 "-20" INDICATES 20 AMP.

RELEASE SALES DRAWING EC NO: WNA2011-0060 DRWN: HKNEELAN CHKD: HKNEELAN APPR: DTTITUS 2010/09/02	DESCRIPTION REV	QUALITY SYMBOLS	GENERAL TOLERANCES (UNLESS SPECIFIED)		DIMENSION STYLE		SCALE	DESIGN UNITS	THIRD ANGLE PROJECTION
		$\nabla=0$ $\nabla C=0$	mm	INCH	IN/MM	NTS	INCH		
		4 PLACES	±---	±---	DRAWN BY	DATE	TITLE		
		3 PLACES	±---	±.005	TVICKERS	2010/03/10	MULTIPLE OUTLET BOX 3 PHASE 6 OUTLETS - NEMA 5-20 MOLEX INCORPORATED		
2 PLACES	±0.13	±.010	CHECKED BY	DATE					
1 PLACE	±0.25	±.020	HKNEELAN	2010/07/29	APPROVED BY	DATE	MATERIAL NO.	DOCUMENT NO.	SHEET NO.
ANGULAR ±.5°			DRAFT WHERE APPLICABLE MUST REMAIN WITHIN DIMENSIONS		DTITUS	2010/07/29	1301380110	SD-130138-002	1 OF 1
SIZE A			THIS DRAWING CONTAINS INFORMATION THAT IS PROPRIETARY TO MOLEX INCORPORATED AND SHOULD NOT BE USED WITHOUT WRITTEN PERMISSION						

6

5

4

3

2

1