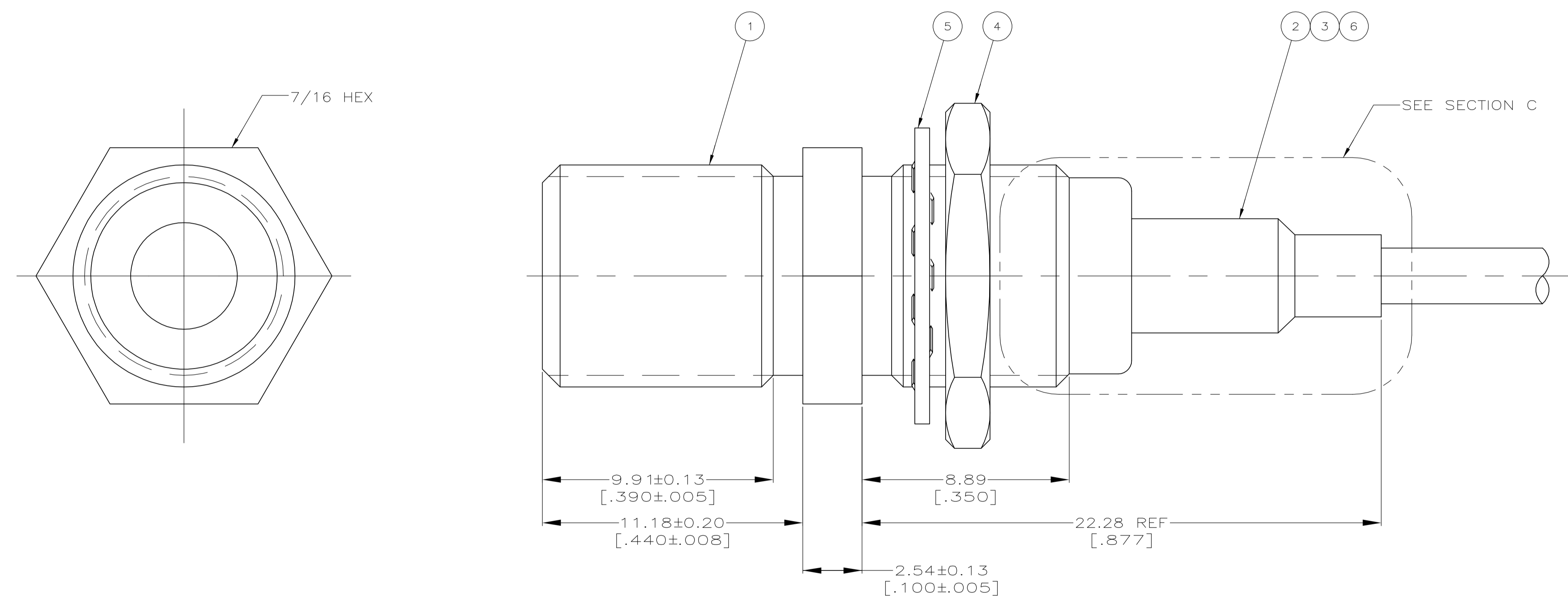


RECOMMENDED STRIP LENGTHS



- 1. PARTS PACKAGED UNASSEMBLED
- ② USE WITH HAND TOOL 354940-1
- ③ RG-179/U CABLE

VIEW A	③	318450-2	②	227194-1	⑤	1-329492-1	④	1-330249-1	③	9-328666-0	②	9-887011-0	①	887004-1	5415569-2
STRIP LENGTHS	FOR USE WITH CABLE	DIE SET	⑥ TUBING QTY=1	⑤ LOCKWASHER QTY=1	④ JAM NUT QTY=1	③ FERRULE QTY=1	② CONTACT QTY=1	① JACK ASSY QTY=1	PART NUMBER						

THIS DRAWING IS A CONTROLLED DOCUMENT

DIMENSIONS: mm [INCHES]	TOLERANCES UNLESS OTHERWISE SPECIFIED:	DWN L. VARELA - DOCKS 31JAN2005	CHK J. HAVENER 31JAN2005	APVD K. WEIDNER 31JAN2005	NAME
0 PLC ± -	1 PLC ± -	Tyco Electronics Corporation			Harrisburg, Pa 17105-3608
2 PLC ± ± 0.25 [.010]	3 PLC ± -	Tyco Electronics Corporation			Harrisburg, Pa 17105-3608
4 PLC ± -	ANGLES ± -	JACK, BULKHEAD, FRONT MT., SPLASH RESISTANT, F SERIES			
MATERIAL -	FINISH -	SIZE	CAGE CODE	DRAWING NO	RESTRICTED TO
		A1	00779	5415569	
CUSTOMER DRAWING		SCALE	8:1	SHEET	1 of 1
		REV	01		