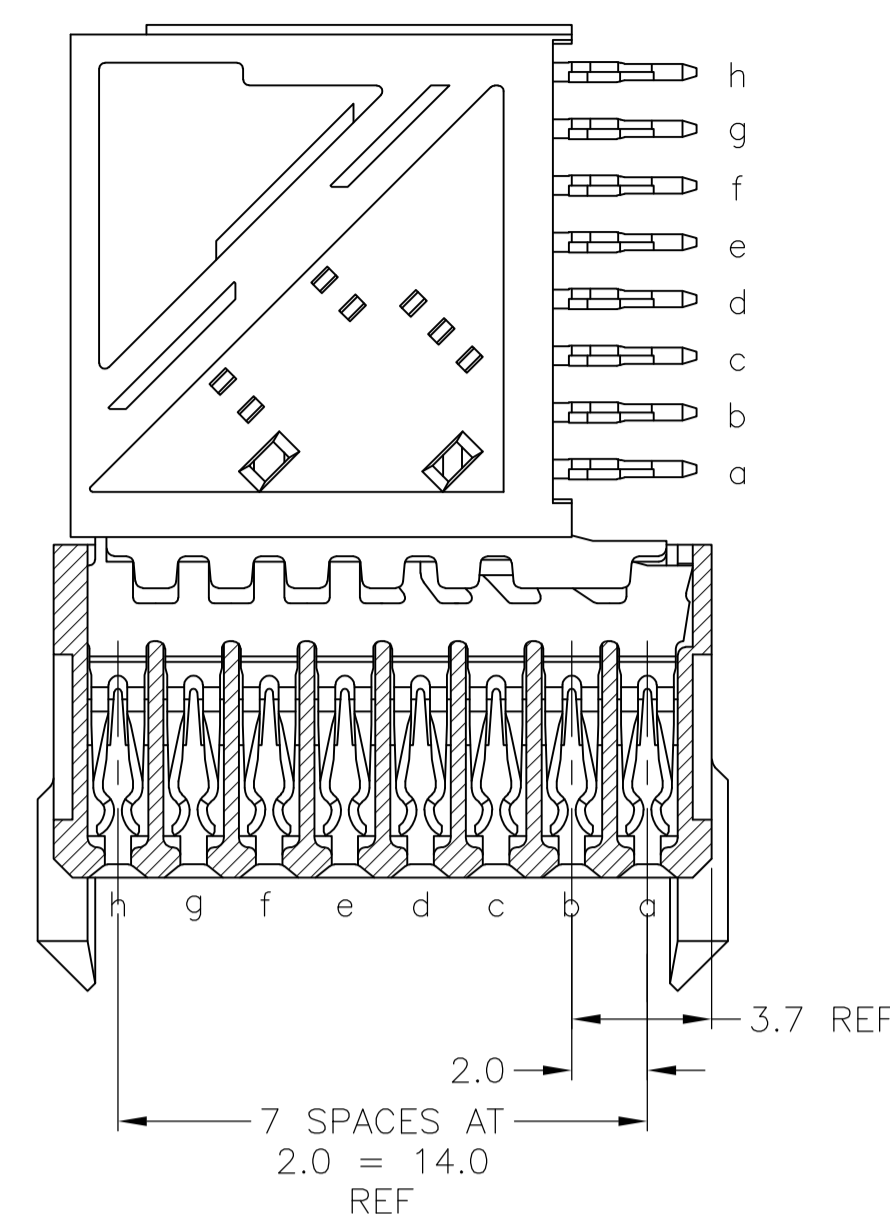
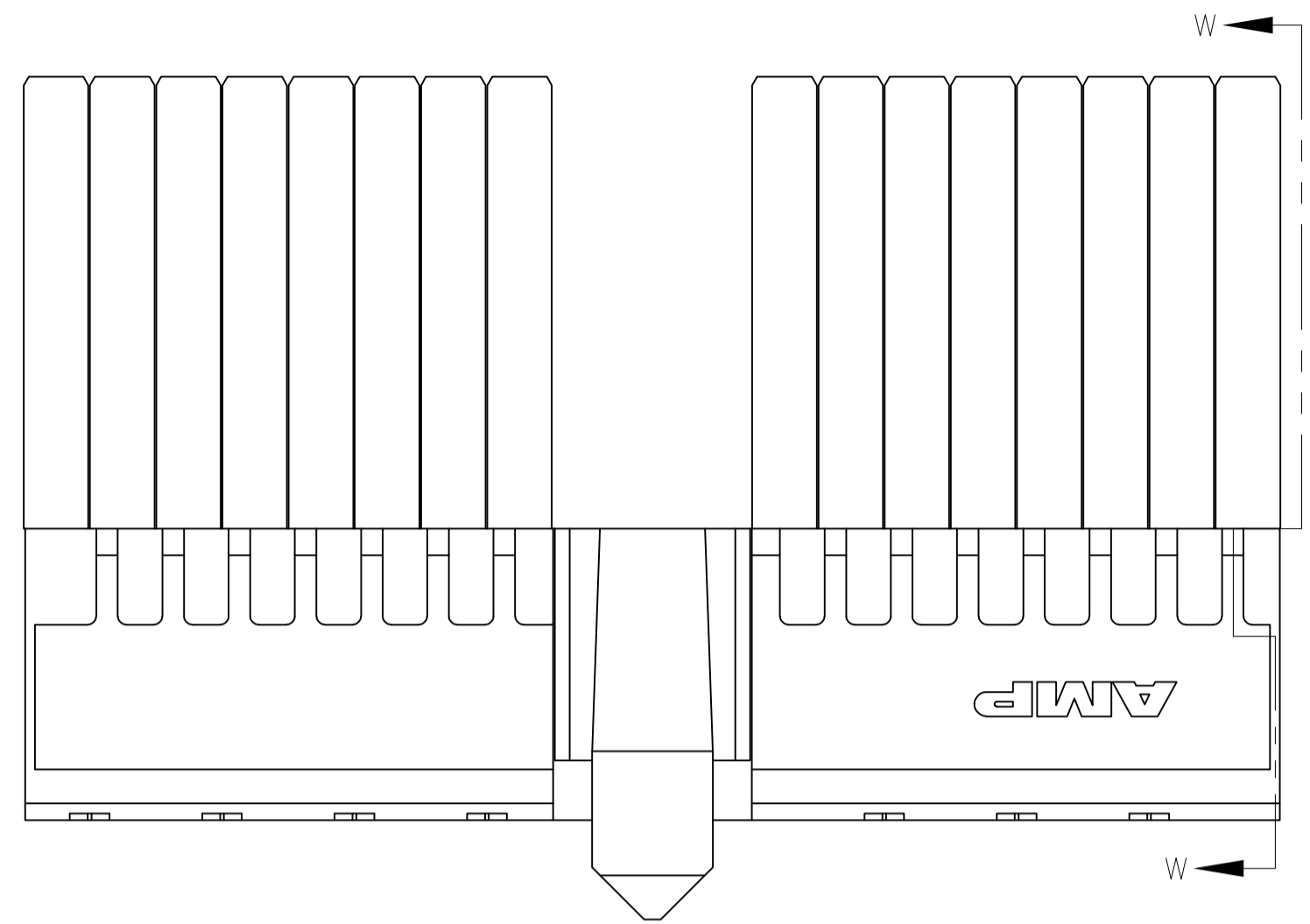
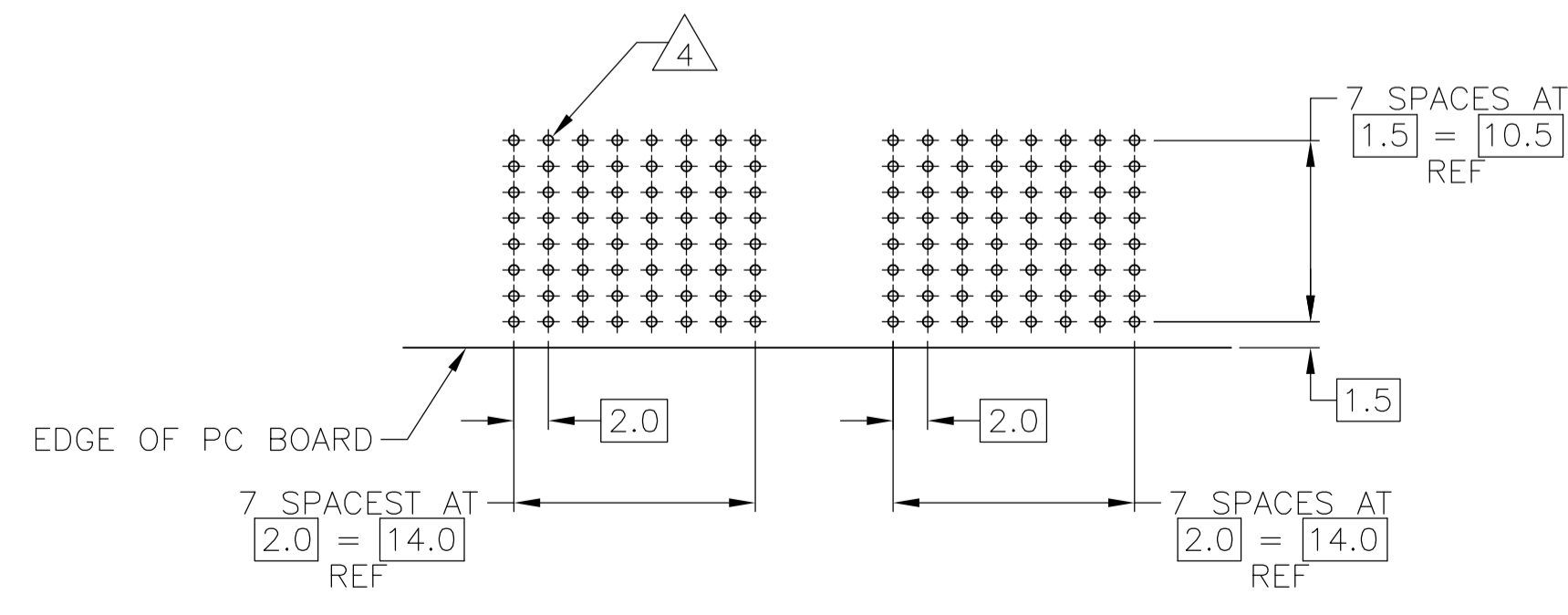
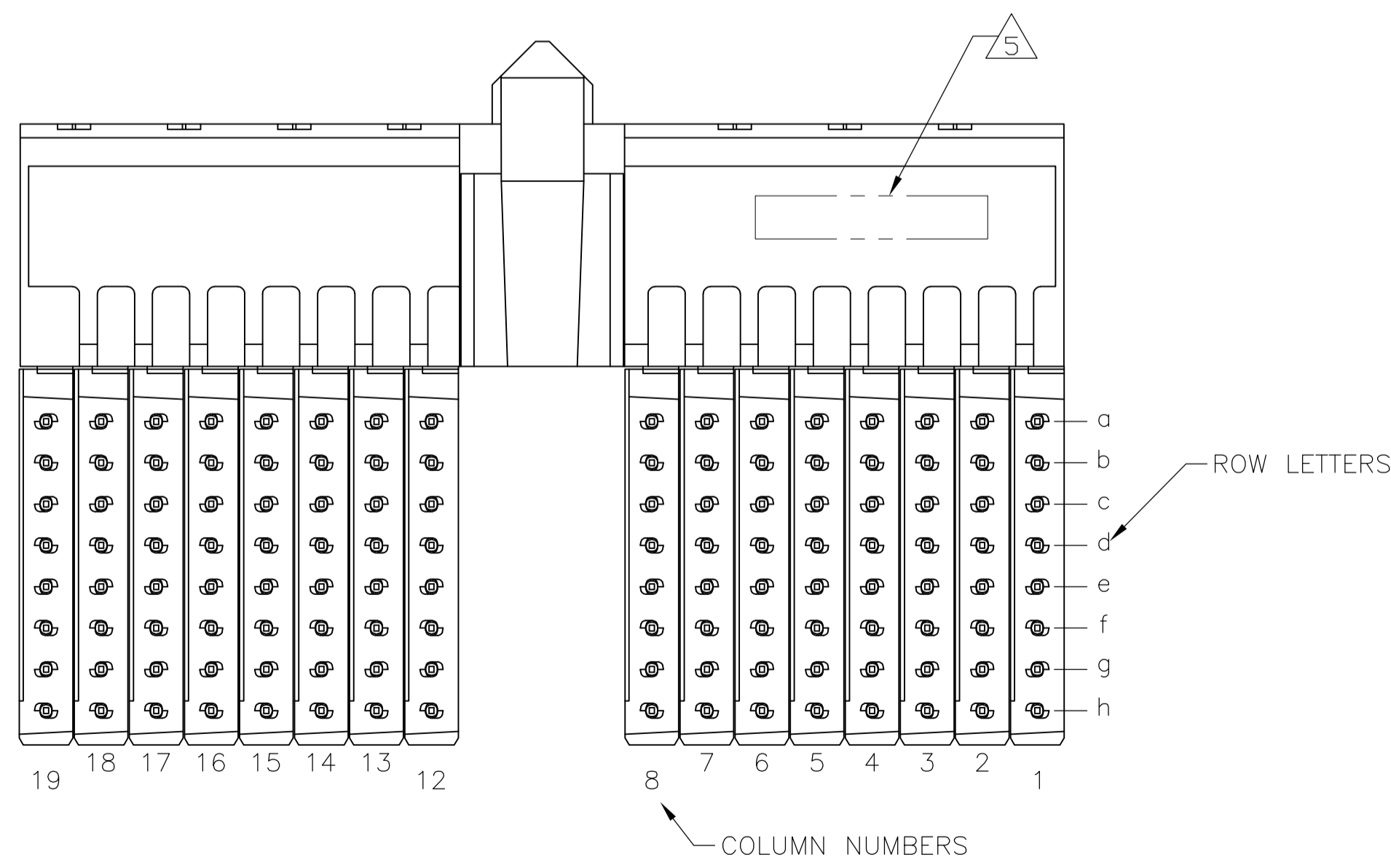
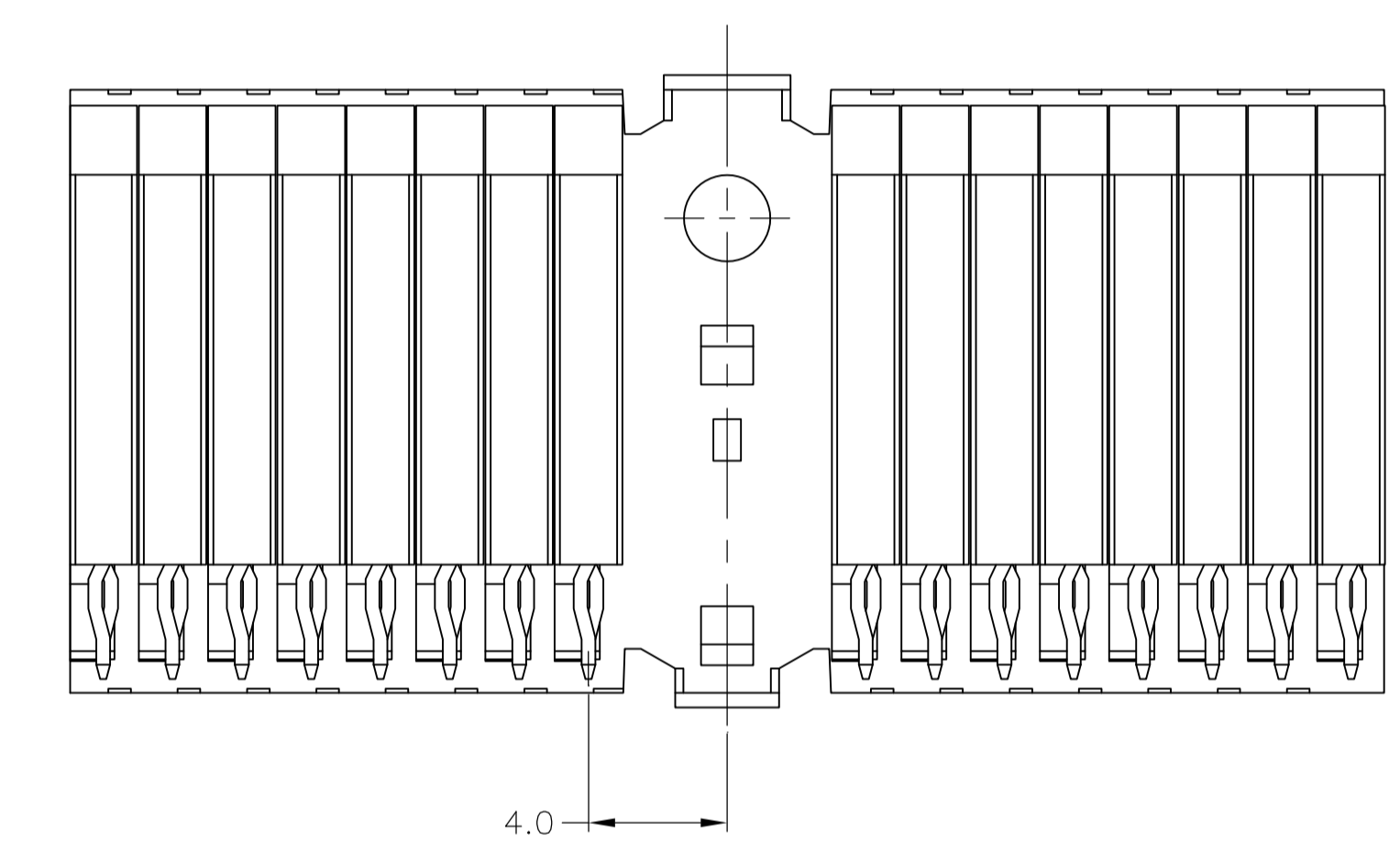
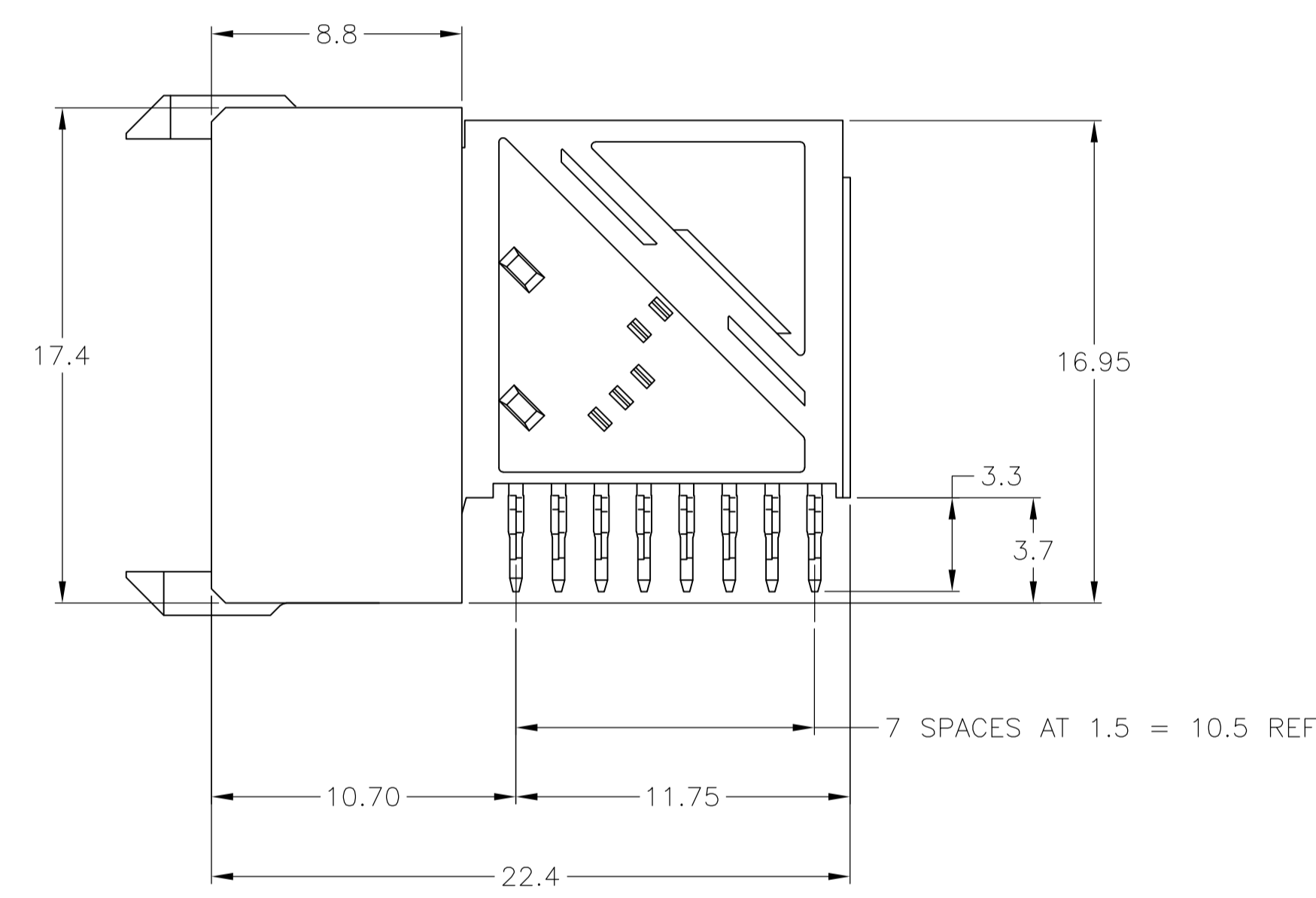
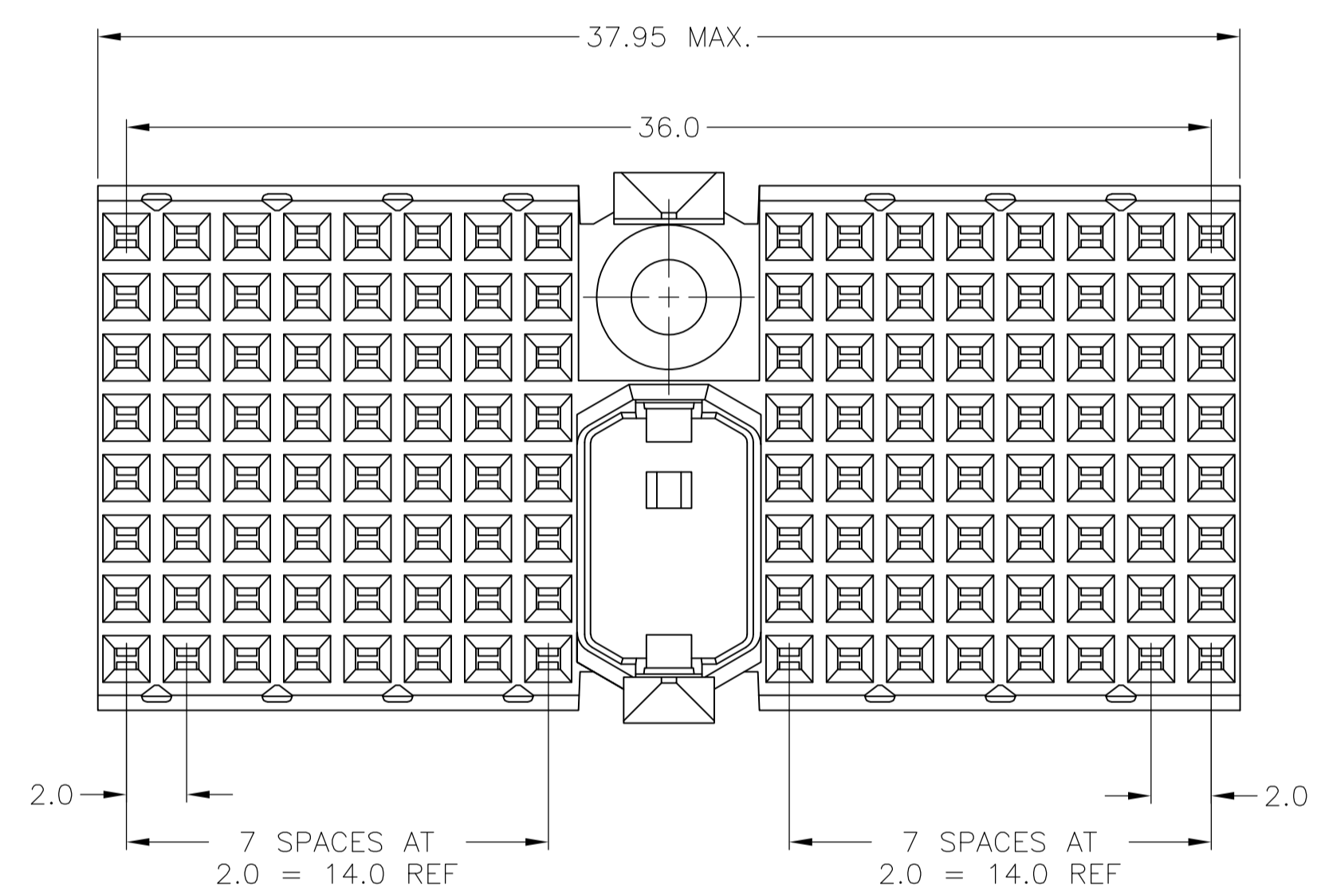


LOC		DIST		REVISIONS			
P	LTR	DESCRIPTION	DATE	DMN	APVD		
A		REV PER EC 0512-0302-05	06DEC05	BC	GS		
B		ECR-10-018652	10SEP10	JS	MQW		
C		ECO-11-024491	13DEC11	SY	MQW		



- 1 MATERIAL:
CONTACT: PHOSPHER BRONZE.
HOUSING: GLASS FILLED POLYESTER.
- 2 GENERAL PLATING SPECIFICATION: UNDERPLATING
(ENTIRE CONTACT): 1.27µm MIN NICKEL AND ACTION
PIN: 0.5µm MIN TIN.
FOR PLATING OF MATING SURFACES SEE APPLICABLE SPECIFICATION REFERENCE FOR EACH DASH NUMBER.
- 3 CONFORMS TO ALL TESTING ACCORDING TO IEC 61076-4-101 PERFORMANCE LEVEL 2.
- 4 PLATED THROUGH HOLES AT 2 x 1.5mm GRID. 128 TOTAL HOLES.
- 5 CONNECTOR PRINTED WITH PART NUMBER AND DATE CODE THIS SIDE.
ADDITIONAL CHARACTERS OR MARKINGS, AS WELL AS THE LOCATION OF THE MARKINGS, MAY BE ADDED FOR TRACEABILITY BASED UPON MANUFACTURERS DISCRETION.



RECOMMENDED PCB HOLE LAYOUT COMPONENT SIDE
SCALE 2.5:1

PCB HOLE DIM ACTION PIN
 DRILLED HOLE: 0.7±0.025
 FIN HOLE: 0.55 TO 0.65mm
 Cu-thks: 0.025 TO 0.050mm
 SnPb-thks: 0.004 TO 0.010mm

2	3	5646447-1
FINISH		PART NUMBER

THIS DRAWING IS A CONTROLLED DOCUMENT.		DIN B CARBO 14DEC05	Tyco Electronics Corporation	
DIMENSIONS: mm		CHK G SKIPPER 14DEC05	Harrisburg, PA 17105-3608	
TOLERANCES UNLESS OTHERWISE SPECIFIED:		APVD G SKIPPER 14DEC05	NAME	
0-PLG	±	PRODUCT SPEC		
1-PLG	±0.1	APPLICATION SPEC		
2-PLG	±0.15	SIZE		
3-PLG	±0.2	CAGE CODE		
4-PLG	±0.25	DRAWING NO		
ANGLES	±	RESTRICTED TO		
MATERIAL	SEE TABLE	WEIGHT	A1 00779	5646447
CUSTOMER DRAWING		SCALE	5:1	SHEET 1 OF 1