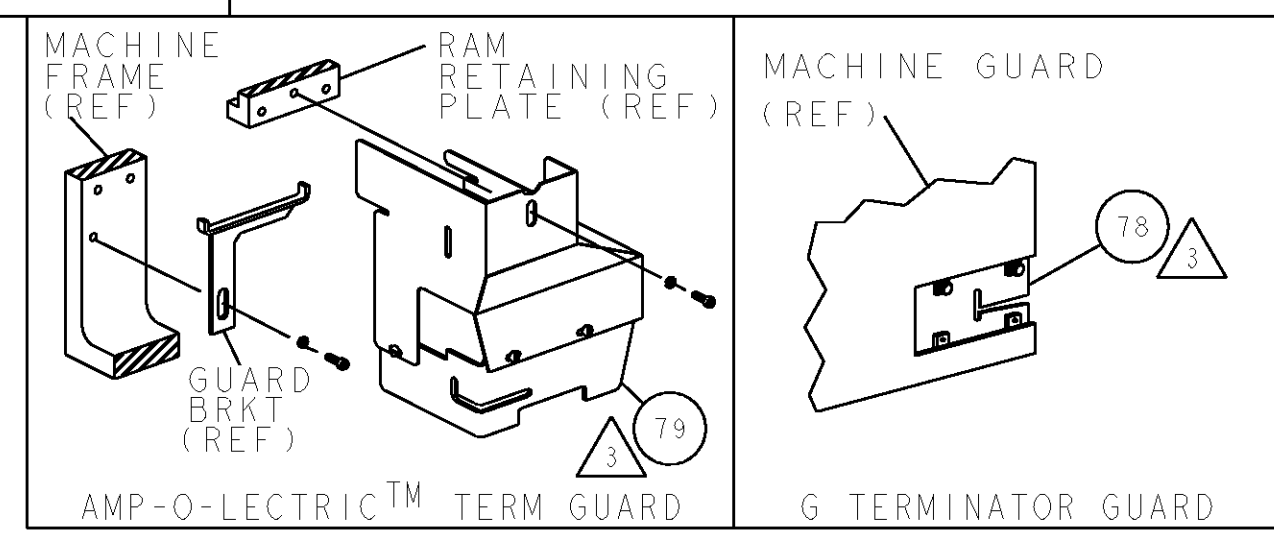


PART NUMBER	REV	FIRST USED	POWER UNIT	FEED TYPE
1855447-1	A	122500-1	LEADMAKER & BENCH MODEL G	AIR FEED
1855447-2	A	565435-5	BENCH MODEL K	AIR FEED
7-1855447-7	A	-	SPARE PARTS	-

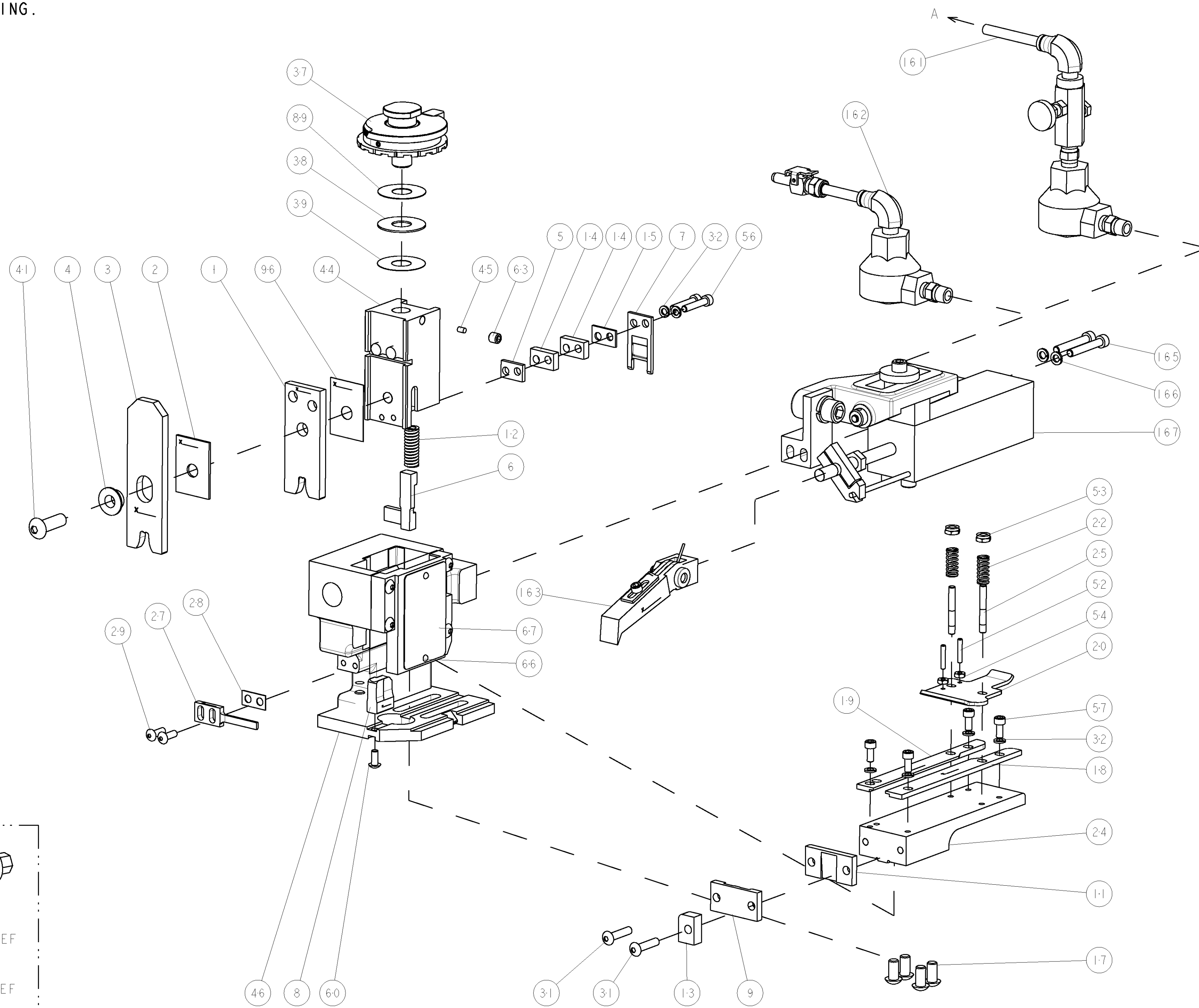


TERMINAL NAME: RING TERMINAL					
TE PN	MFG PN	METALLON TERMINAL - TE CRIMP SPECS			
1949825	6H-3591				
-	-	CRIMP HEIGHT	WIRE SIZE	REF SETTING*	
-	-	3.45±0.05mm [.136±.002]	10AWG	C0	
-	-	3.20±0.05mm [.126±.002]	12AWG	E0	
-	-	-	-	-	
-	-	-	-	-	
-	-	CRIMP	SIZE	TYPE	RANGE
-	-	WIRE	5.33mm [.210]	F	10-12 AWG
-	-	INSUL	7.11mm [.280]	F	∅5.33-6.60mm [.210-.260]
WIRE STRIP LENGTH	TERM APPL SPEC	FEED	APPL INSTRUCTIONS	SET UP GAGE	
7.14-7.92mm	NONE	33.91mm	408-8039	458638-1	

LOC	DIST	REVISIONS					
A	66	P	LTR	DESCRIPTION	DATE	DWN	APVD
		A		RELEASED	12DEC2008	LG	GB

- △ RECOMMENDED SPARE PARTS
- △ GREASE LIGHTLY
- △ GUARD MUST BE IN PLACE WHEN OPERATING APPLICATOR IN A BENCH MACHINE

**\*WARNING:**  
ON INSTALLATION, SET WIRE DISC TO LARGEST WIRE SIZE SETTING. USE OF SETTINGS BELOW MIN REQUIRED CRIMP HEIGHT SETTING WILL CAUSE DAMAGE TO CRIMP TOOLING.



QTY	UNIT	DESCRIPTION	ITEM NO
-	1	2-460277-0 AIR FEED ASSY	167
-	2	21024-5 WASHER, SPRG LOCK, REG NO 10	166
-	2	4-21000-0 SCR, SKT HD CAP 10-32 X 1.250	165
-	1	460680-1 FEED FINGER ASSEMBLY	163
-	1	692655-7 AIR FEED VALVE ASSEMBLY	162
-	1	692655-5 AIR FEED VALVE ASSEMBLY	161
-	REF	692655-6 AIR FEED VALVE ASSEMBLY	118
-	REF	24042-2 VALVE, SHUT-OFF	106
-	1	455888-1 SPACER, CRIMPER	96
-	1	1-469367-0 SHIM	89
-	REF	455745-1 GUARD WINDOW	79
-	REF	679532-1 INSERT, GUARD	78
-	1	217238-1 GENERAL INSTRUCTION PKG	72
-	1	4088039 EF APPL INST 408-8039	71
-	1	461264-5 PLATE, IDENTIFICATION	67
-	2	21017-2 SCREW, DRIVE	66
-	1	21009-2 SCR, SET, SELF LOCKING 1/4-20 X .250	63
-	1	22733-8 SCR, BHSC, SELF-LOCKING, 8-32 X .375	60
-	4	2-21000-6 SCR, SKT HD CAP 8-32 X .375	57
-	2	3-21000-0 SCR, SKT HD CAP 8-32 X .875	56
-	2	21018-4 NUT, HEX, REG 4-40	54
-	2	21022-2 NUT, LOCK, HEX, TORQUE, 8-32	53
-	2	2-21006-6 SCR, SET, CUP POINT 4-40 X .625	52
-	1	1633570-1 SUB ASSY, APPLICATOR FRAME	46
-	1	690191-1 PLUG, NYLON	45
-	1	1338281-7 RAM	44
-	1	7-21002-9 SCR, BTN SKT HD CAP 5/16-24 X 1.00	41
-	1	690125-1 SHIM SUB-ASSY	39
-	1	469367-7 SHIM	38
-	1	879103-2 FINE ADJUST HEAD ASSEMBLY	37
-	6	21024-4 WASHER, SPRG LOCK, REG NO 8	32
-	2	3-21002-0 SCR, BTN SKT HD CAP 10-32 X .875	31
-	2	2-21002-2 SCR, BTN SKT HD CAP 8-32 X .500	29
-	1	1-690451-7 SPACER, STRIPPER	28
-	1	468281-5 STRIPPER	27
-	2	22354-7 STUD, THREADED	25
-	1	455678-1 PLATE, STRIP GUIDE	24
-	2	3-22281-8 SPRING, DRAG	22
-	1	454177-1 DRAG	20
-	1	2-458030-5 STRIP GUIDE, REAR	19
-	1	2-458031-5 STRIP GUIDE, FRONT	18
-	4	3-21002-3 SCR, BTN SKT HD CAP 1/4-20 X .500	17
-	1	3-240641-9 SPACER	15
-	2	2-240641-9 SPACER	14
-	1	1-690481-2 SPACER, HOLD DOWN	13
-	1	23846-1 SPRING, DIE	12
-	1	240644-1 PLATE, REAR SHEAR	11
-	-	-	10
-	1	690482-3 PLATE, FRONT SHEAR	9
-	1	5-461295-9 ANVIL, COMBINATION	8
-	1	690474-3 BLADE, SLUG	7
-	1	3-455892-4 HOLD DOWN, TERMINAL	6
-	1	1338708-1 SPACER, SLUG BLADE	5
-	1	238009-7 BLOCK, FL CRIMPER SPACER	4
-	1	8-1633471-9 CRIMPER, INSULATION F	3
-	1	1-455888-2 SPACER, CRIMPER	2
-	1	1-456430-1 CRIMPER, WIRE	1

-77 -2 -1 U/M PART NO		DESCRIPTION	ITEM NO
DIMENSIONS: INCHES		TOLERANCES UNLESS OTHERWISE SPECIFIED:	
0 PLC	±		
1 PLC	±0.1		
2 PLC	±0.01		
3 PLC	±0.001		
4 PLC	±0.0001		
ANGLES	±		
MATERIAL	FINISH	WEIGHT	
CUSTOMER DRAWING		SCALE 3:5	SHEET 1 OF 1 REV A