

THIS DRAWING IS UNPUBLISHED.

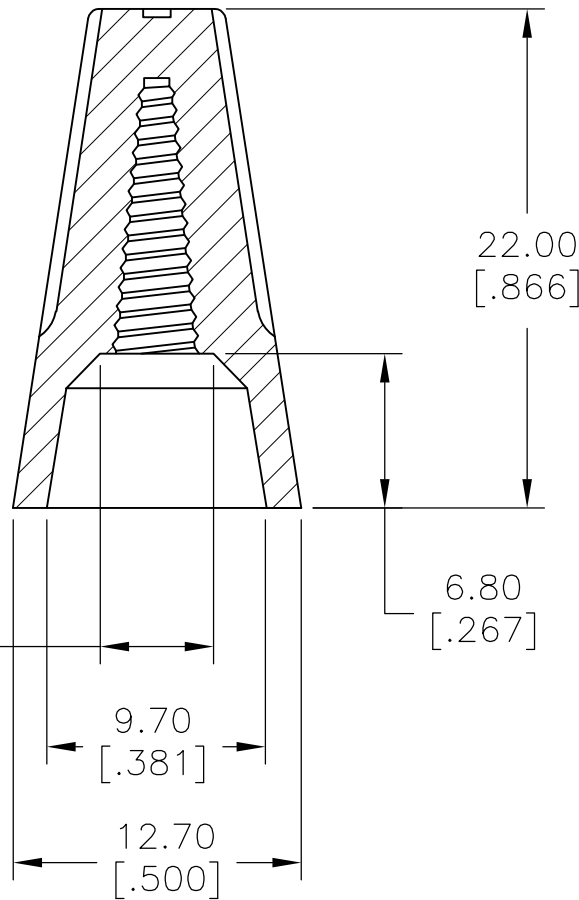
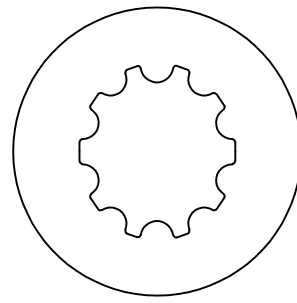
RELEASED FOR PUBLICATION

ALL RIGHTS RESERVED.

© COPYRIGHT - By -


REVISIONS

P	LTR	DESCRIPTION	DATE	DWN	APVD
	A	NEW DRAWING	22JAN2016	NK	RH



- 1 WORKING TEMPERATURE: 105° C
- 2 VOLTAGE: 300V/600V MAX
- 3 COLOR: ORANGE
- 4 WIRE RANGE: #22-#14AWG MAX.4#16
W/1#20 MIN.1#18 W/1#20
- 5 SPRING INSERT: STEEL

2299503-1 AS SHOWN

THIS DRAWING IS A CONTROLLED DOCUMENT.		DWN NAGALAKSHMI K 22JAN2016	 TE Connectivity				
DIMENSIONS: mm [INCHES]		CHK HILL RYAN 22JAN2016					
TOLERANCES UNLESS OTHERWISE SPECIFIED:		APVD HILL RYAN 22JAN2016	NAME				
0 PLC ± - 1 PLC ± 0.2[.007] 2 PLC ± 0.4[.015] 3 PLC ± - 4 PLC ± - ANGLES ± -		PRODUCT SPEC -	CPGI-WC-WG-OR-BULK				
MATERIAL TOUGH THERMOPLASTIC UL 94V-2 FLAME-RETARDANT		FINISH -	APPLICATION SPEC -	SIZE A3	CAGE CODE 00779	DRAWING NO C-2299503	RESTRICTED TO -
CUSTOMER DRAWING			WEIGHT -	SCALE 3:1	SHEET 1 OF 1	REV A	