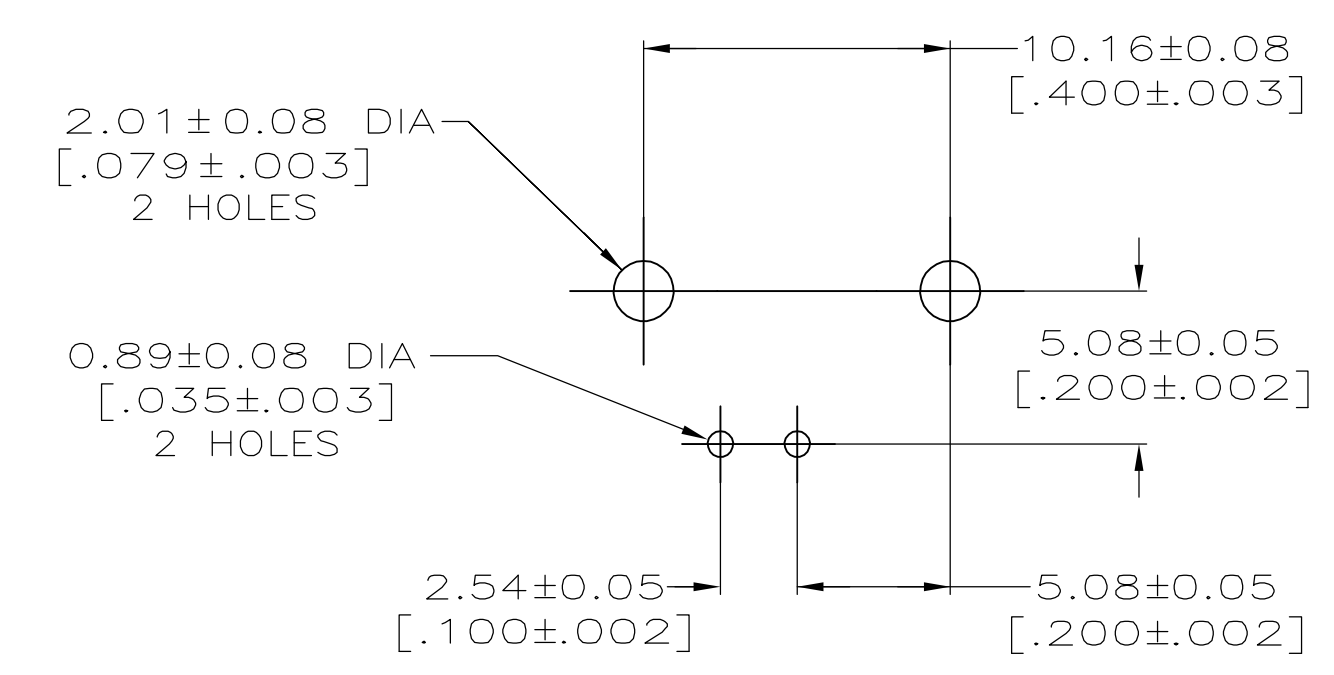
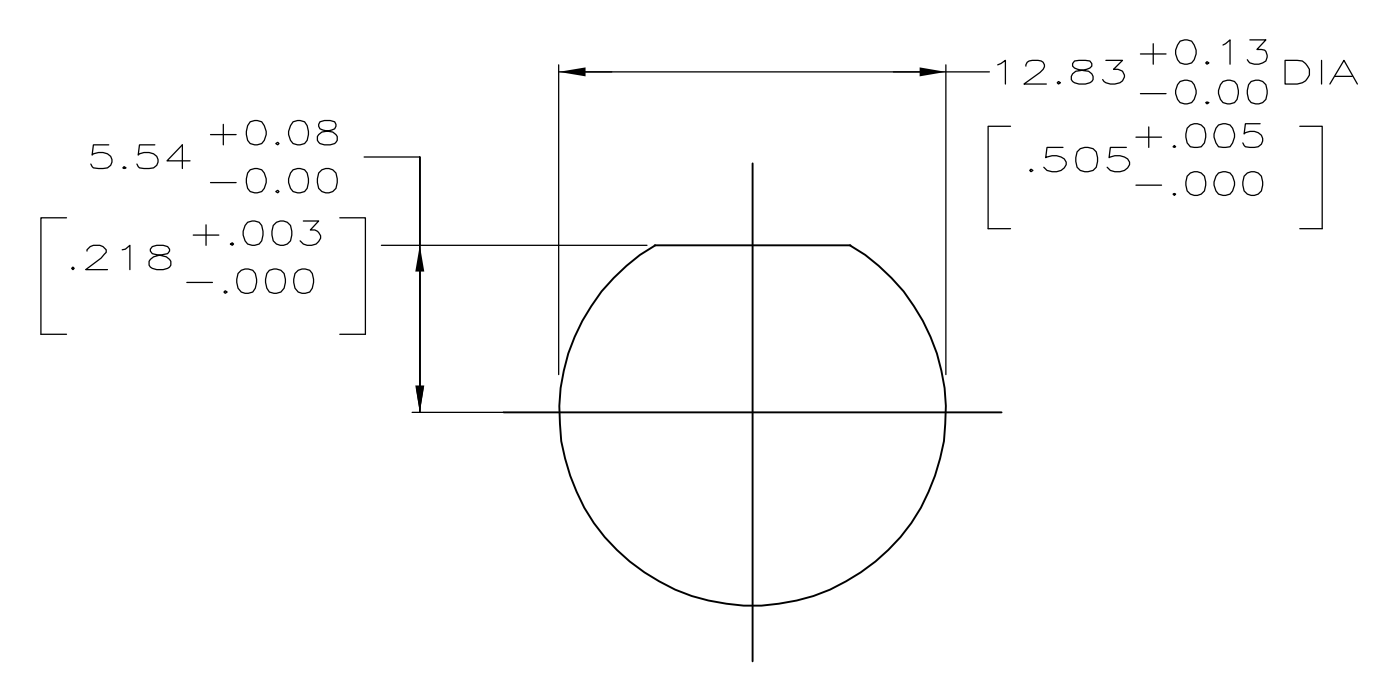


- 1 ZINC PER QQ-Z-363.
- 2 POLYMETHYLPENTENE PER ASTM-D-1238.
- 3 PHOSPHOR BRONZE PER QQ-B-750.
- 4 BRASS PER ASTM-B-453.
- 5 BRASS PER ASTM-B-16.
- 6 NICKEL PLATE PER QQ-N-290, 3.81 μm [.000150] MINIMUM THICK.
- 7 TIN PLATE PER ASTM-B-545, 3.81 μm [.000150] MINIMUM THICK.
- 8 GOLD PLATE PER ASTM-B-488, 0.76 μm [.000030] MINIMUM THICK.
- 9. USE INSTRUCTION SHEET 408-2769.



RECOMMENDED PANEL CUTOUT

PCB CONFIGURATION

5415417-1
PART NUMBER

THIS DRAWING IS A CONTROLLED DOCUMENT.		DWN G. ATTADIA - 22APR2005		Tyco Electronics Corporation Harrisburg, PA 17105-3608
DIMENSIONS: mm (INCHES)		CHK J. HAVENER - 22APR2005		APVD J. LIPPERT - 22APR2005
TOLERANCES UNLESS OTHERWISE SPECIFIED:		PRODUCT SPEC 108-12078		RESTRICTED TO
0 PLC ± - 1 PLC ± - 2 PLC ± - 3 PLC ± - 4 PLC ± - ANGLES ± - FINISH SEE NOTES		APPLICATION SPEC		SIZE A1
MATERIAL SEE NOTES		WEIGHT -		CAGE CODE 00779
CUSTOMER DRAWING		DRAWING NO 5415417		SCALE 4:1
		SHEET 1 OF 1		REV A